



791152 DL TRAILER ASSEMBLY INSTRUCTIONS

STEP 1 TONGUE ATTACHMENT

- Place the frame (Item #1) with fenders down on a set of saw horses and install the tongue (Item #2) with the safety chain mounting bracket facing up.
- Place a 1/2" flat washer (Item #14) on the two 1/2-13 x 4-1/2" bolts (Item #12) and install the bolts through the front bracket and tongue.
- Place another 1/2" flat washer (Item #14) on the threaded end of the bolts and install 1/2" locknut (Item #23) and tighten both. Then place a washer (item #14) on the bolt (item #28) and run it through the frame and tongue from what will be the top of the trailer then secure it with another washer (item #14) and a nut (item #23).

STEP 2 Jack Stand

- Slide the jack stand (Item #4) into jack mounting bracket and secure with bent pin (Item #22) and hair pin (Item #27).

STEP 3 WIRING

- Push connector end of the wiring harness (Item #21) through the tongue and out the front.

STEP 4 TIRES AND WHIPS

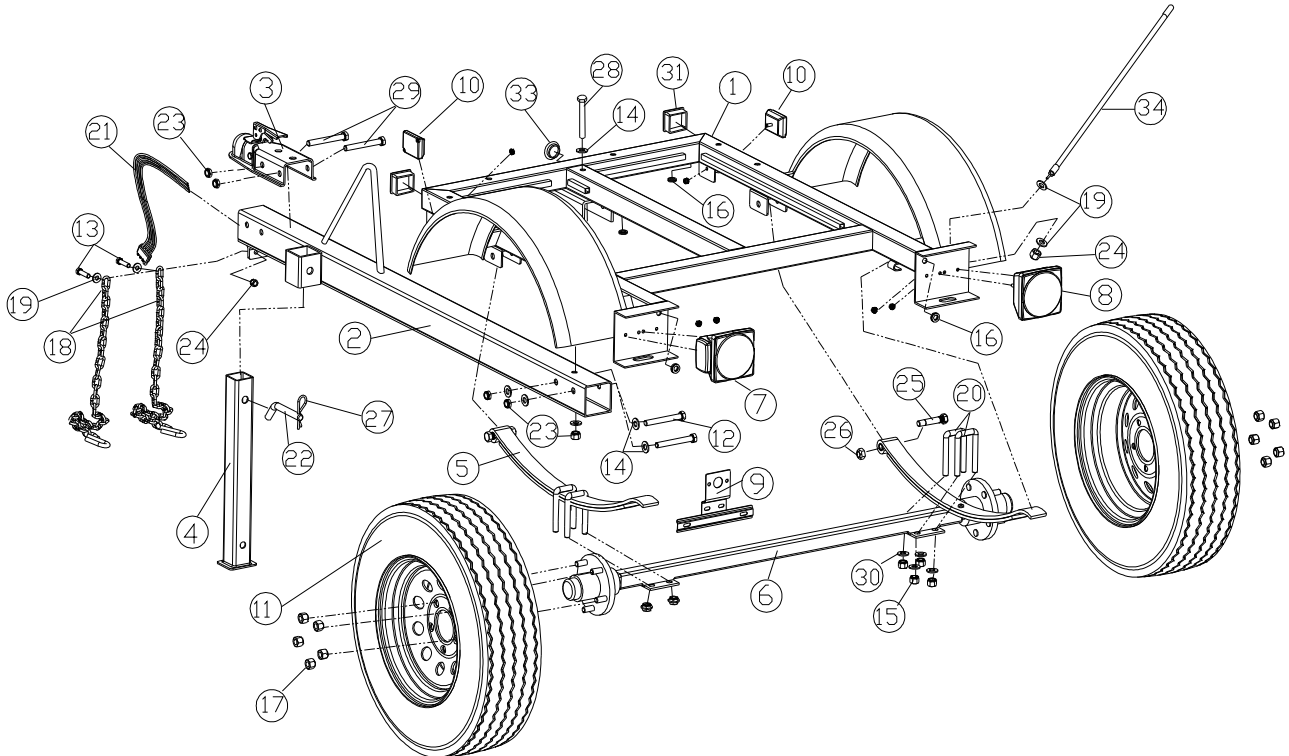
- Attach the tires (Item #11) using ten 1/2-20 lug nuts (Item #17) with the valve stem facing out and the tapered side of the lug nut facing the wheel. Torque lug nuts to 60 to 90 ft. lbs. (check torque again after 100 miles and periodically thereafter).
- Attach the whips to the brackets located behind the tail lights using a washer (item 19) on both sides of the bracket and secure with the locknuts (item 24)

STEP 5 MOUNT DL SERIES DEBRIS LOADER TO TRAILER

- Use supplied hardware to attach the Debris Loader to the trailer. There are six attachment points.



DL Trailer Part drawing



DL Trailer Parts list

Note: Items #24 (Nut-qty 6), #32 (Screwcap-qty 6), and #19 (Washer-qty 12) will be used to mount your debris loader to the trailer

ITEM NO.	PART NO.	DESCRIPTION	QTY
1	791145	FRAME TRAILER WA	1
2	791146	TONGUE TRAILER	1
3	790195	COUPLER 2" BALL	1
4	790193	JACK TRAILER	1
5	790196	SPRING 500LB SLIPPER	2
6	791147	AXLE W/ HUBS TRAILER	1
7	790202	LIGHT REAR RED LH	1
8	790234	LIGHT REAR RED RH	1
9	790235	BRACKET LICENSE	1
10	790201	LIGHT FRONT AMBER	2
11	791154	WHEEL AND TIRE ASSY 14"	2
12	8041107	SCREWCAP 1/2"-13 X 4 1/2" HCS ZP	2
13	8041051	SCREWCAP 3/8"-16 X 1 1/4" ZP	2
14	8172011	WASHER FLAT 1/2" SAE	6
15	8162005	NUT JAM 1/2"-13	8
16	520087	GROMMET 1" HOLE	5
17	790208	NUT LUG	10
18	790199	CHAIN SAFETY 32" W/ HOOK	2
19	8171003	WASHER 5/16" FLAT ZP	16
20	790203	BOLT U .5 DIA X 1.25 X 3.5	4
21	791149	WIRE HARNESS 15'	1
22	790205	PIN HITCH	1
23	8160005	NUT 1/2-20 GRADE 2	5
24	8160003	NUT NYLOCK 3/8-16	10
25	790209	BOLT SHACKLE 9/16-18 X 3" GR 5	2
26	790323	HEX NUT 9/16-18 ZP	2
27	790207	HAIR PIN	1
28	8041112	SCREWCAP 1/2"-13 X 6 1/4" HCS ZP	1
29	8041107	SCREWCAP 1/2-13 X 4 1/2" HCS ZP	2
30	8177014	WASHER LOCK 1/2" S/T MED	8
31	791208	PLUG 2" SQ TUBE	2
32	8041058	SCREWCAP 3/8"-16 X 3" HCS ZP	6
33	791209	PLUG 1.00" DIA HOLE	1
34	791153	WHIP TRAILER DL	2