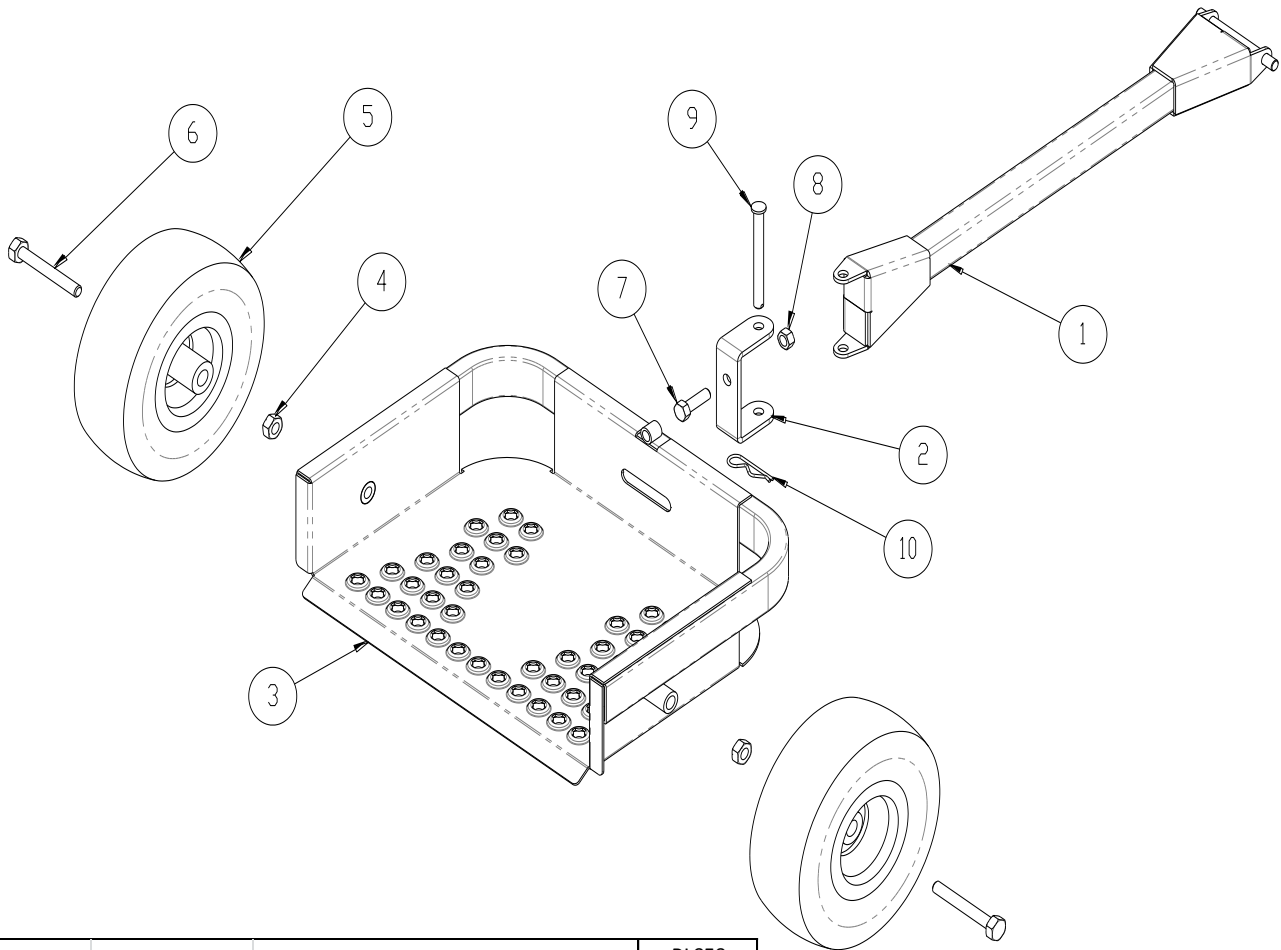




Sulky for use with PL2500SPH

To attach: Attach the tow bar to the rear brackets on the machine by sliding it into the slots. Then flip the two retaining brackets down so that it retains the tow bar to the machine.



ITEM #	PART #	DESCRIPTION	QTY
1	381264	TOW BAR	1
2	381265	CLEVIS BRACKET	1
3	381266	PLATFORM	1
4	8160007	NUTLOCK 5/8"-11	2
5	381230	TIRE	2
6	381255	SCREWCAP 5/8-11 X 4 3/4" HCS ZP	2
7	381268	SCREWCAP 1/2"-13 X 2" HCS ZP	1
8	8160005	NUTLOCK 1/2"	1
9	381270	CLEVIS PIN 1/2" X 5"	1
10	381271	HAIR PIN COTTER	1