

2

OPTIONAL ACCESSORIES

HOSE KITS

For vacuuming in hard to reach areas.

3" Vacuum Hose Kit for vacuuming heavy debris P/N 800086.

3" (76.2mm) x 10' (3.05m).

5" Vacuum Hose Kit for vacuuming bulk debris P/N 800084.

5" (127mm) x 10' (3.05m).

6" Vacuum Hose Kit for vacuuming large debris P/N 800359.

6" (152.4mm) x 10' (3.05m).

HOSE COUPLER KITS

Joins 2 or more hoses to increase vacuuming distance.

3" (76.2mm) COUPLER

P/N 800332

5" (127mm) COUPLER

P/N 800334

6" (152.4mm) COUPLER

P/N 800336

EXHAUST HOSE KIT

P/N 800077

Increases exhaust distance.

BAG SUPPORT

P/N 800484 *Keeps bag from dragging ground.*

DEBRIS BAGS**REPLACEABLE DEBRIS**

BAG P/N 800730

DEBRIS BAG COVER

P/N 800993 *Directs dust downward, away from operator.*

BRUSH KIT P/N 800082

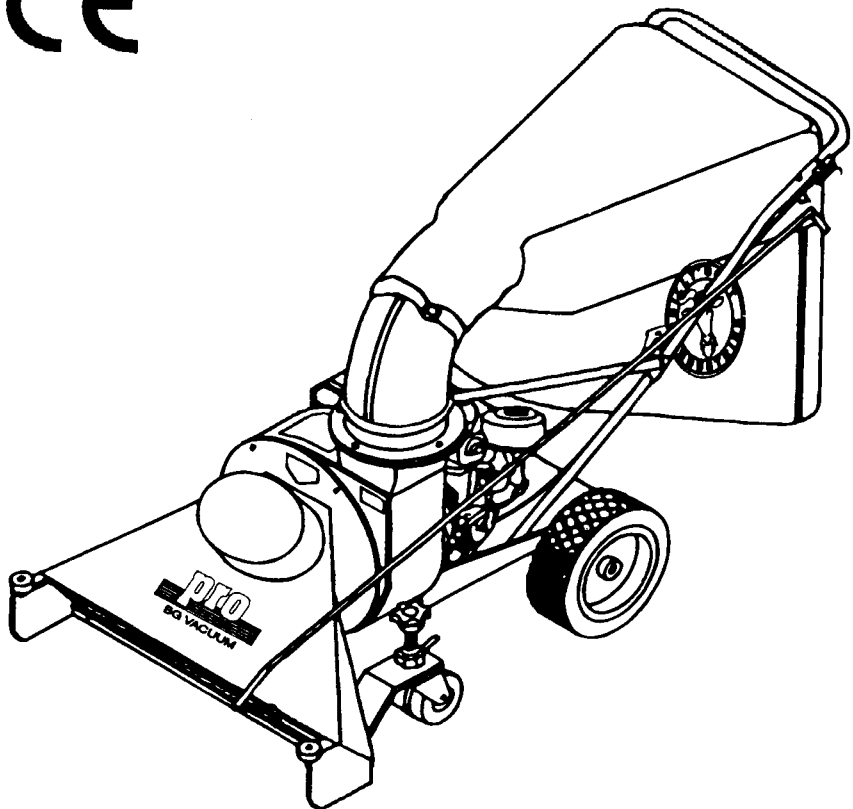
Improves vacuum pickup.

SP UNITS ONLY**SPEED UP KIT P/N 810233**

Increases ground drive speed to 2.9 mph (3.68 kmh) from 1.53 mph (2.46 kmh).

1

**BILLY
GOAT** 
CE



Thank You for Selecting

The Powerful BG SELF-PROPELLED VACUUM

Operator Owner's Manual

PUSH MODELS:

BG81

SELF PROPELLED MODEL:

BG81SP

3

Specifications

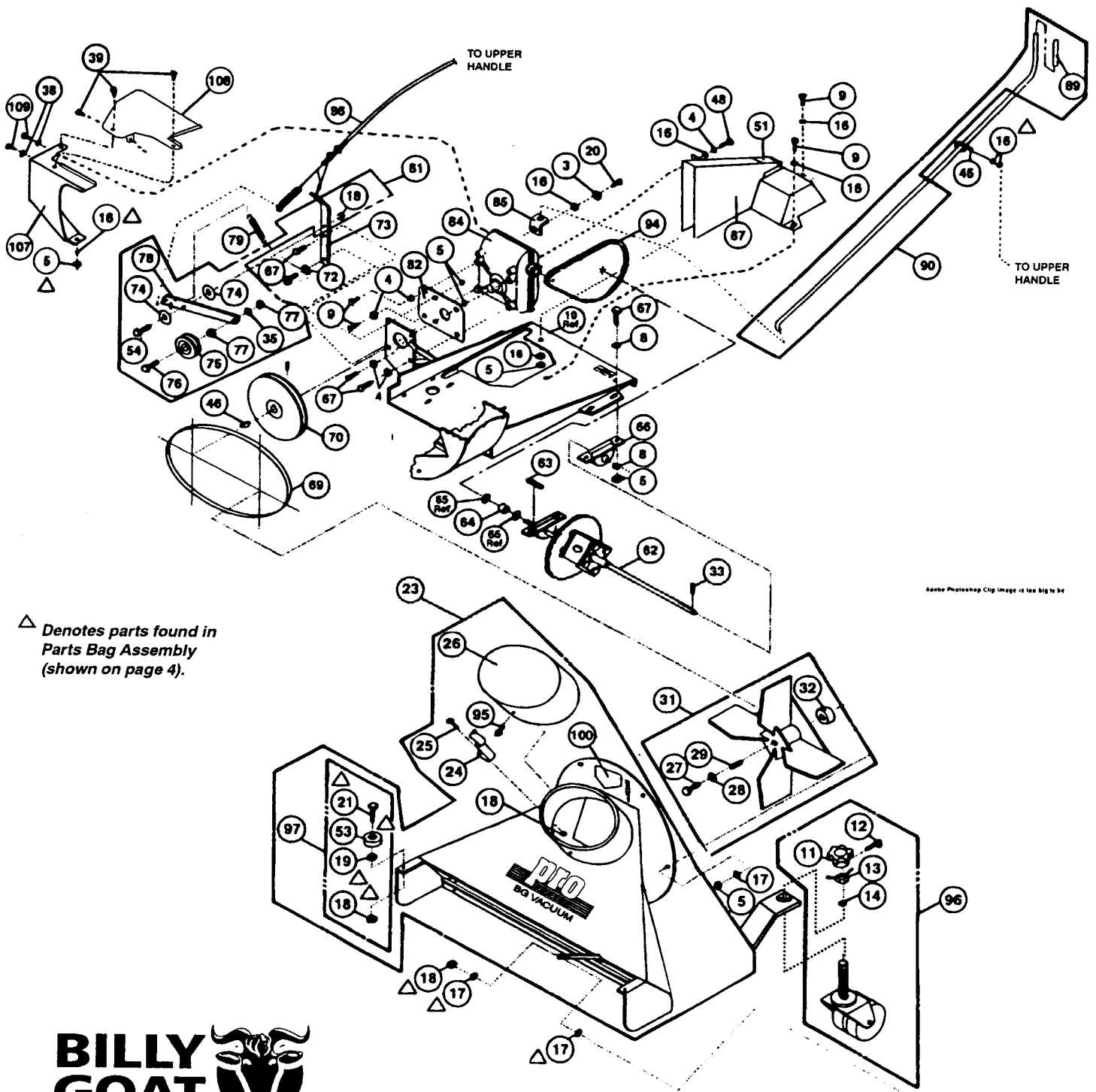
	BG81	BG81SP
ENGINE: H.P.	10 (7.45 kW)	10 (7.45 kW)
ENGINE: TYPE	B&S INTEK I/C	B&S INTEK I/C
ENGINE: FUEL CAP.	4 qt. (3.8 L)	4 qt. (3.8 L)
ENGINE: OIL CAP.	0.875 qt. (0.8 L)	0.875 qt. (0.8 L)
WEIGHT: UNIT	179 lbs. (81.2 kg)	209 lbs. (94.8 kg)
WEIGHT: SHIPPING	183 lbs. (85.3 kg)	215 lbs. (97.5 kg)
ENGINE: WEIGHT	52 lbs. (23.6 kg)	52 lbs. (23.6 kg)

UNIT SIZE:

OVERALL LENGTH: 68" (1.73m)

OVERALL WIDTH 30" (0.76m)

OVERALL HEIGHT 42" (1.07m)

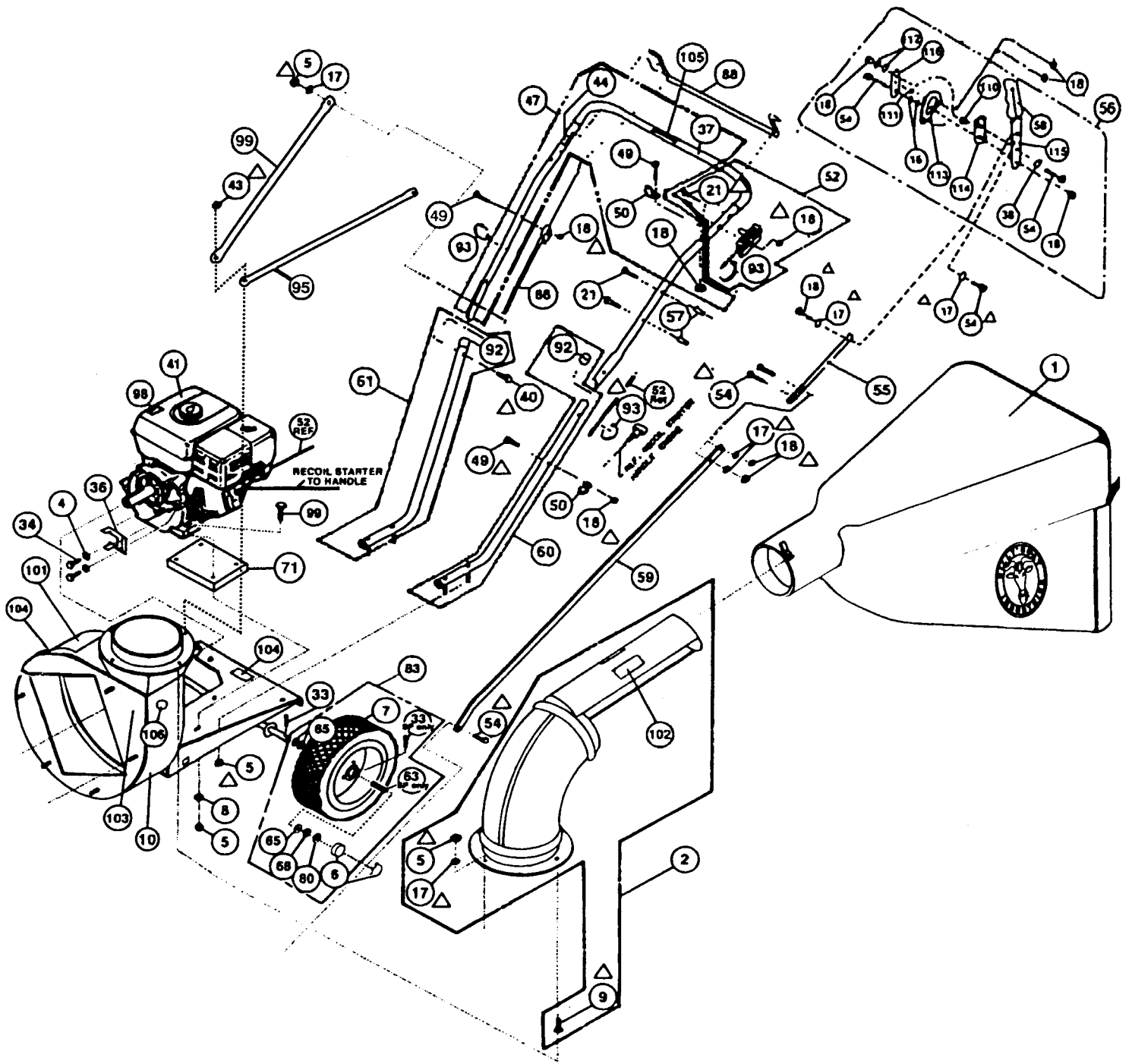


△ Denotes parts found in Parts Bag Assembly (shown on page 4).



18 PARTS DRAWING

BG81, BG81SP



Item No.	19 PARTS LIST	Description	BG81		BG81SP	
			Part No.	Qty.	Part No.	Qty.
1		BAG (SERVICE STRAP ASSY NO. 900606) (SERVICE ZIPPER NO. 900478)	800730	1	800730	1
2		ELBOW ASS'Y (INCLUDES ITEM 5, 9, 17)	*810139	1	810139	1
3		WASHER, LOCK SPRING 1/4 MED	-	-	*8177010	1
4		WASHER, LOCK SPRING 5/16 MED	-	-	*8177011	5
5		NUT, LOCK 5/16-18	*8160002	20	*8160002	33
6		HUB CAP	900486	2	900486	2
7		WHEEL (PNEUMATIC PART NO. 400295)	400295	2	800994	2
8		WASHER, FLAT 5/16	*8171003	4	*8171003	4
9		SCREW, CAP 5/16-18 X 3/4	*8041026	4	*8041026	8
10		FRAME	800418	1	800419	1
11		KNOB, HAND	850154	2	850154	2
12		SCREW, MACHINE #10 - 24 X 2	*8059143	2	*8059143	2
13		NUT, LOCK CASTER	800227	2	800227	2
14		WASHER, 3/4 PLASTIC	800109	2	800109	2
15						
16		WASHER, FLAT CUT 1/4 (5/16 X 3/4 X 1/16)	*8171002	2	*8171002	11
17		WASHER, 5/16 SAE	*8172008	18	*8172008	18
18		NUT, LOCK 1/4-20	*8160001	14	*8160001	16
19		NUT, REGULAR 1/4-20	*8142001	2	*8142001	2
20		SCREW, CAP 1/4-28 X 1/2	-	-	850408	1
21		SCREW, CAP 1/4 - 20 NC x 1 3/4	*8041009	3	*8041009	3
22						
23		NOZZLE ASS'Y (INCLUDES ITEMS 97, 26, 95, 25, 24, 18)	800931	1	800931	1
24		LATCH SPRING	800311	1	800311	1
25		SCREW, CAP 1/4 - 20 X 3/4	*8041004	2	*8041004	2
26		CAP	800183	1	800183	1
27		SCREW CAP 7/16 - 20 X 1-1/4 GR 5 (TORQUE 60 FT - LBS)(81.4N.m)	800554	1	800554	1
28		WASHER LOCK 7/16 TWISTED TOOTH	850132	1	850132	1
29		KEY 1/4 SQ X 2.25 "	9201123	1	9201123	1
30		PARTS & LIT. BAG (INCL. 117(14), 5(10), 40(6), 93(3 push, 5 SP), 43(1), 54(3), 49(1), 9(4), 18(7 push, 8 SP), 19(2), 21(3), [SP only 45(1)])	800757	1	810166	1
31		IMPELLER ASSEMBLY (INCLUDES ITEMS 27, 28, 29, 32)	800988	1	800090	1
33		COTTER PIN 1/8 X 1	*8197031	2	*8197031	2
34		SCREW CAP 3/8-16 X 3/4	-	-	*8041048	2
35		WASHER LOCK 3/8	-	-	*8177012	4
36		GUARD BELT GUIDE	-	-	811053	1
37		GRIP HANDLE	400570	2	400570	2
38		WASHER LOCK 1/4 EXT	*8181007	1	*8181007	3
39		SCREW SM 1/4 x 3/8 HEX	*8122082	1	*8122082	3
40		SCREW CAP 5/16-18 X 2	*8041032	2	*8041031	2
41		ENGINE BRIGGS 10 HP INTEK IC	430352	1	430352	1
42						
43						
44		LABEL DRIVE	-	-	810207	1
45		EYE BOLT - CLUTCH LEVER	-	-	800312	1
46		KEY HIPRO 3/16 X 3/4	-	-	850234	1
47		HANDLE TOP ASS'Y (INCLUDES ITEMS 49(2), 50(2), 18(2))	810134	1	810134	1
48		SCREW SELF TAP 5/16 X 3/4 HEX	-	-	8123128	1
49		SCREW CAP 1/4-20 X 1 - 1/2	*8041008	3	*8041008	3
50		BAG LOOP	800178	3	800178	3
51		LABEL OIL CHAIN	-	-	830502	1
52		THROTTLE CONTROL ASS'Y (INCLUDES ITEMS 18, 21, 93)	810135	1	810135	1
53		WHEEL PROTECTOR	800169	2	800169	2
54		SCREW CAP 1/4-20 X 1	*8041006	6	*8041006	7
55		BAR LINK UPPER	811061	1	811061	1
56		DOOR NOZZLE FRICTION ASSY	830288	1	830288	1
57		SPACER	850198	2	850198	2
58		GRIP	850190	1	850190	1
59		LINK	810987	1	810987	1
60		LOWER HANDLE SECTION L.H. ASS'Y (INCLUDES ITEM 92)	800933	1	800933	1
61		LOWER HANDLE SECTION R. H. ASS'Y (INCLUDES ITEM 92)	800943	1	800943	1
62		DIFFERENTIAL WITH SPROCKET (DRIVE SPROCKET ONLY)	-	-	800996	1
63		KEY 3/16 SQ X 1 - 3/4 LG.	-	-	9201084	2
64		SPACER	-	-	800421	1
65		WASHER 3/4 SAE	*8172015	4	*8172015	6
66		BEARING PILLOW BLOCK	-	-	800557	2
67		SCREW CAP 5/16-18 X 1	-	-	*8041028	8
68		WASHER 3/4 (0.765 X 1.25 X 0.06)	-	-	850238	2
69		BELT DRIVE	-	-	800250	1
70		PULLEY WITH SET SCREW	-	-	800251	1
71		SPACER ENGINE INTEK	430353	1	430353	1
72		WASHER 3/8 WITH HOLE	-	-	800889	1
73		BAR BRACKET IDLER	-	-	810159	1
74		WASHER FENDER 1/4 (9/32 I.D. X 1 - 1/4 O.D. X 3/64)	-	-	*8172019	2
75		PULLEY IDLER	-	-	800260	1
76		BOLT IDLER	-	-	800888	1
77		NUT 3/8-16 REGULAR	-	-	*8142003	2
78		BAR IDLER	-	-	800261	1
79		SPRING	-	-	800242	1
80		WASHER HUB CAP	-	-	850237	2
81		IDLER ASS'Y (INCLUDES 18 (1), 35 (1), 54(1), 73 THRU 78)	-	-	810211	1
82		PLATE ADAPTER	-	-	810157	1
83		WHEEL ASS'Y, BGSP includes 6 (1), 7(1), 65(1), 68 (1), 80(1), 63(1))	-	-	800995	2
84		TRANSMISSION REV FWD.	-	-	810206	1

19

Parts List
continued from
page 11.

Item No.	19 PARTS LIST	Description	BG81	Qty.	BG81SP	Qty.
			Part No.		Part No.	
85		BRACKET ANGLE SHIFT	-	-	810158	1
86		CABLE CLUTCH ASS'Y BG	-	-	810160	1
87		GUARD CHAIN W/LABELS (INCLUDES ITEM 51)	-	-	811041	1
88		ROD BAIL ASS'Y	-	-	810172	1
89		GRIP	-	-	800885	1
90		ROD LEVER SHIFT ASS'Y (INCLUDES ITEM 89)	-	-	810162	1
91						
92		CAP ENDS	800392	2	800392	2
93		TY WRAP	900407	3	900407	5
94		CHAIN DRIVE BG	-	-	810156	1
95		HANDLE BRACE LH	800821	1	800821	1
96		CASTER DUAL ASSY (INCLUDES (1) OF EACH 11, 12, 13, 14)	800682	2	800682	2
97		PROTECTOR WHEEL ASS'Y (INCLUDES ONE EACH OF 21, 19, 18, 53)	800347	2	800347	2
98		LABEL DO NOT FILL WHILE ENGINE IS HOT	400268	1	400268	1
99		HANDLE BRACE RH	800822	1	800822	1
100		LABEL DANGER KEEPS HANDS & FEET AWAY	400424	1	400424	1
101		LABEL CAUTION	830138	2	830138	2
102		LABEL FLYING MATERIAL	810736	1	810736	1
103		LABEL EAR EYE BREATHING	890254	2	890254	2
104		LABEL WARNING GUARDS	-	-	900327	1
105		LABEL CLUTCH	-	-	900328	1
106		LABEL READ	890301	1	890301	1
107		GUARD PULLEY BG80	-	-	811037	1
108		GUARD BELT BG80	-	-	800021	1
109		SCREW SELF TAP 1/4 - 14 X 3/4	-	-	900505	2
110		NUT JAM 1/4-20	*8143001	1	*8143001	1
111		BALL 1/4	850194	1	850194	1
112		WASHER BELLVILLE 1/4	850207	2	850207	2
113		PLATE QUAD LIFT	850192	1	850192	1
114		PLATE FRICTION LIFT	850191	1	850191	1
115		BAR LEVER DOOR	850189	1	850189	1
116		PLATE CLAMP LIFT	850193	1	850193	1

* Denotes standard hardware item that may be purchased locally.

△ Denotes parts found in parts bag assembly.