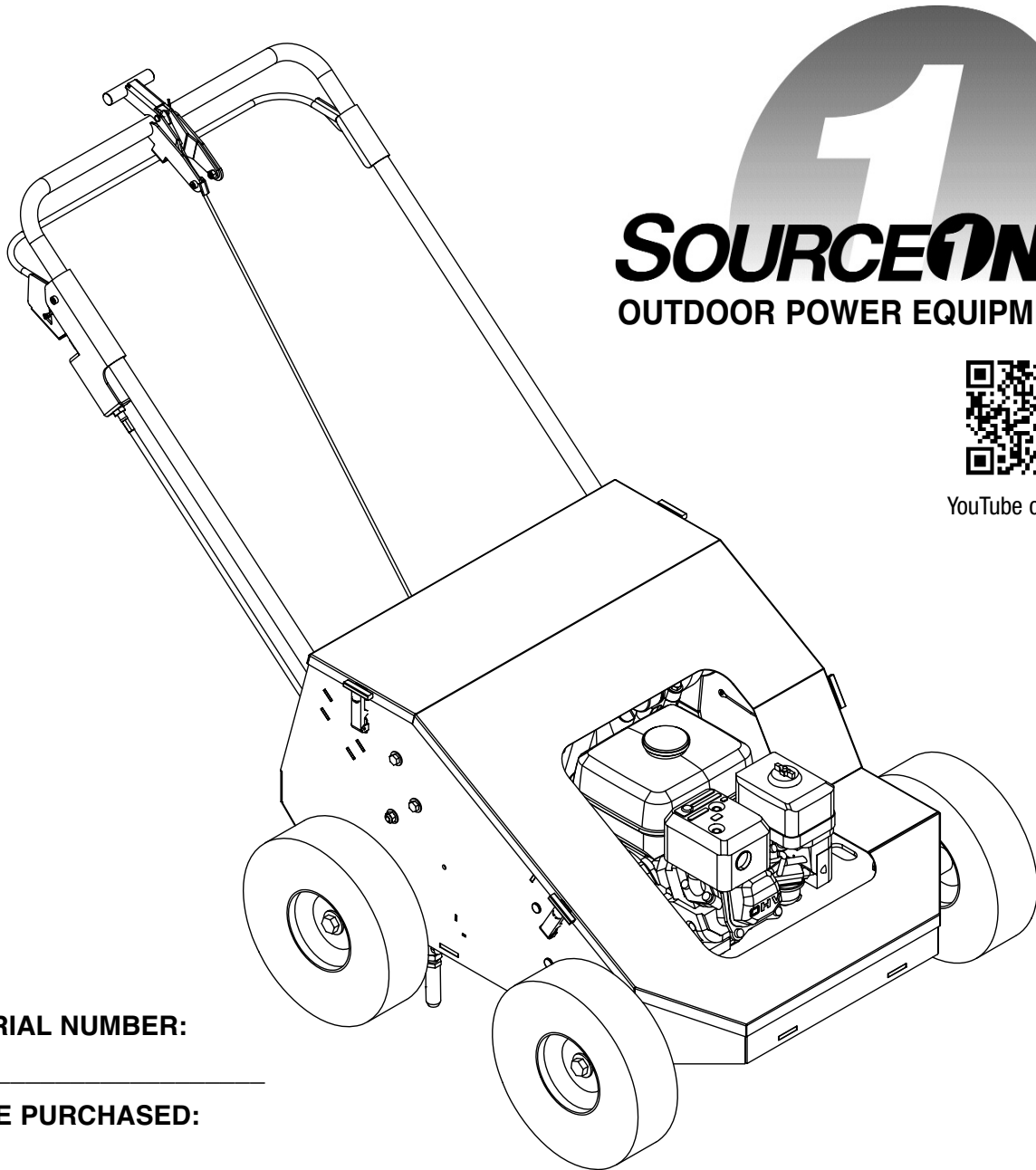


THESE INSTRUCTIONS ARE TO BE USED ONLY FOR:
MODEL PL815

REV: 01/13

MANUALS FOR OLDER UNITS CAN BE FOUND AT WWW.SOURCEONEOPE.COM



1
SOURCEONE
OUTDOOR POWER EQUIPMENT



YouTube channel

SERIAL NUMBER:

DATE PURCHASED:

INSTRUCTIONS AND PARTS MANUAL
PLUGR PL815 PRO 30" TURF AERATOR



PLUGR is a registered trademark of SourceOne Inc., a subsidiary of IMSCORP, Lincoln, NE.

1030 SW 6th Street, Lincoln, NE 68522 • (888) 418-9065 • Fax (402) 474-6605

Website: www.SourceOneOPE.com • Email: sales@SourceOneOPE.com

**THESE INSTRUCTIONS ARE TO BE USED ONLY FOR:
MODEL PL815**

MANUALS FOR OLDER UNITS CAN BE FOUND AT WWW.SOURCEONEOPE.COM

PLUGR PL815 PRO 30" TURF AERATOR MANUAL

ASSEMBLY INSTRUCTIONS

Handle: Remove cover from machine; remove two bolts from bottom of handle. Slide the handle into square receptacles in frame with retractor lever facing up and clutch engagement bail facing down. Insert bolts through handle mount and holes in handle, making sure bolts are inserted from the bottom up. The hex heads on these two bolts needs to fit into the hex hole on the bottom of the handle mounts. Tighten nylon nuts.

Retractor Cable: Solid wire cable with identical ends attaches to black retractor plate with 1/4" x 1 1/2" bolt and lock nut. This is installed at the factory. The other end is placed on the center handle lever. Install cable and place the clevis pin and cotter pin key back in position.

Clutch Cable: Insert clutch cable control knob into clutch bail lever pivot then slide cable retainer into cable mount bracket and tighten top jamb nut down on bracket sandwiching it between both nuts and tighten. Preliminary adjustment should be within tolerance from factory. If adjustments are needed for belt tension, loosen lock nut on control knob and turn knob accordingly. One or two rotations should be sufficient.

Engine: Engine and gear case are factory filled with high quality detergent SAE 30 oil, (SE, SF, or SG). Check level prior to operation. Please refer to the engine manual or call the engine manufacturer at the phone number listed in the engine instructions if there are any questions regarding the engine. **NOTE: GASOLINE CAN BE HAZARDOUS. HANDLE GASOLINE CAREFULLY AT ALL TIMES! USE LEAD FREE GASOLINE WITHOUT OIL MIXED IN.**

OPERATING INSTRUCTIONS

CAUTION! KEEP FINGERS FROM BEING PINCHED UNDER THE MOVING HAND LEVERS DURING ENGAGEMENT.

Bottom lever: This lever engages the drive belt idler. Pull it up to engage. This lever must be held up for machine operation. When released, forward motion will stop. If the lever fails to spring down when released, contact the manufacturer immediately for adjustment instructions as this is a safety feature.

Center lever: This lever swings the plugr mechanism forward into the operating position. Release handle and allow lever to move forward. It will automatically pull itself into operating position.

To aerate: Release the center lever and allow tines to move forward. Pull the bottom lever up and hold. Do not push machine while operating. The holes will be deeper if you allow the PLUGR to pull itself forward as the tines penetrate the soil.

To stop PLUGR: Release the bottom lever. It will automatically spring down to disengage belt idler. Pull the center lever back to lock. **SHUT OFF ENGINE** if not continuing.

To remove access cover: Remove cover release rubber latches. Reverse procedure to replace cover.

To operate in cold temperatures: Engage tines in "up" position for at least two minutes prior to actual aeration to warm cam grease.

MAINTENANCE INSTRUCTIONS

Journal bearings: Grease journal bearing on the zerks provided every 10 hours of operation. We recommend Almagard® #3752 Grease from Lubrication Engineers®, Inc. Check for wear periodically.

Shaft bearings: Grease both crank shaft ball bearings on the zerks provided every 100 hours of operation.

Wheel bearings: Grease wheel ball bearings on the zerks provided every 100 hours of operation..

Engine oil/filter: See engine manufacturer's instructions. Change oil and filter at least once a season per engine manual.

V-Belt: Adjust V-belt tightness with adjustment holes in pivoting clutch bracket. It should only be necessary to move to the next hole. Do not over tighten V-belt. This puts a load on the engine gear box bearings. The belt is tight enough when it does not slip during the operating cycle.

Tines (threaded type): These are adjustable by only the thickness of the jam nut approximately 1/4" and the openings should face the rear of the PLUGR. They are replaceable by loosening the jam lock nut and unscrewing the tine. All threads are right hand. Install the tine with the jam lock nut on the tine and use maximum threads inserted into the tine casting. Tighten jam lock nut against the tine casting.

Decals: All safety decals are available for replacement at no cost. Do not operate without all warning labels clearly readable.

SPECIFICATIONS

Machine Width	30"
Aeration Width Per Pass	30"
Hole Centers	2.6" x 6"
Hole Depth (Up to)	2.75"
Plug Diameter	5/8"
Approx. Sq. Ft. Per Hour (Up to)	27,500
Shipping Weight	316 lbs.
Actual Machine Weight	266 lbs.
Tire	10"
Belt Drive Clutch	Double V-type
Nylatron Cam Bearings	

SAFETY INSTRUCTIONS *Instrucciones de Seguridad*

Turf aerators are designed exclusively for the purpose of the improvement of turf grass by removing "plugs" of existing turf to allow the flow of nutrients, water and oxygen to the roots. Any other use is unadvisable and can cause serious injury or death. *Los aireadores de césped son diseñados exclusivamente con el objetivo de mejorar el césped removiendo los tapones existentes de hierba para permitir el flujo de sustancias nutritivas, agua y oxígeno a las raíces. Cualquier otro uso no es aconsejable y puede causar serias heridas o la muerte.*

DO HACER:



- Always follow operating instructions. *Siempre seguir las instrucciones de operación.*
- Operate only with the guard/cover in place. *Operar sólo con la cubierta/tapa en su lugar.*
- Wear protective equipment including hearing protection, eye shields and proper footwear. *Usar equipo de protección incluyendo protección auditiva, lentes protectores y artículos de calzado apropiados.*
- Read and heed all warning labels affixed to the machine. *Leer y prestar atención a las etiquetas de advertencia adjuntas a la máquina.*
- Remove spark plug wire when machine is not being used to prevent operation without instruction. *Quitar el alambre de bujía cuando la máquina no esté en uso para prevenir la operación sin instrucción.*
- Clear area to be aerated of all loose objects and all children. *Limpiar el área a ser ventilada de objetos sueltos y todos los niños.*
- Flag sprinkler heads and other hidden obstacles and holes. *Marcar las cabezas de los aspersores y otros obstáculos escondidos y agujeros.*
- Practice operation in an open area prior to operation in tight areas. *Practicar la operación en un área abierta antes de operar en áreas estrechas.*
- Keep hands and feet away from operating parts. *Mantener manos y pies fuera del alcance de las partes operadoras.*
- Use hearing protection. Tested noise levels range from 86.4dB(A)-89.5dB(A). *Usar protección auditiva. Niveles de ruido probados oscilan entre los 86.4 dB (A) hasta los 89.5 dB (A).*

DO NOT NO HACER:

- Operate on severe slopes (exceeding 15°). *Operar sobre cuevas severas (excediendo 15°).*
- Allow children to operate or be within 50' of operation. *Permitir a niños operarlo o que estén dentro de 50' de la operación.*
- Operate without guard/cover attached. *Operar sin la tapa / cubierta puesta.*
- Operate when footing is unsure. *Operar cuando el equilibrio es inseguro.*
- Leave machine unattended while running. *Dejar la máquina desatendida mientras funciona.*
- Operate when dark or hard to see clearly. *Operar cuando está oscuro o difícil de ver claramente.*
- Override the safety shutoff switch. *Anular el interruptor de apagado de seguridad.*
- Lift guard/cover without positioning body to avoid lift injury. *Levantar la tapa/cubierta sin posicionar el cuerpo para evitar un herida de levantamiento.*
- Allow feet to be placed under the rear of machine. *Permitir que los pies sean colocados bajo el reverso de la máquina.*
- Operate without instructions. *Operar sin instrucciones.*
- Allow others to operate without access to instructions. *Permitir a otros su operación sin acceso a las instrucciones.*
- Operate without warning labels clearly readable. *Operar sin las etiquetas de advertencia claramente legibles.*

NEVER ALLOW CHILDREN TO OPERATE POWER EQUIPMENT
NUNCA PERMITIR A NIÑOS OPERAR EL EQUIPO DE PODER

MACHINE LABELS *Etiquetas de la Máquina*

MODEL: PL815 
 SERIAL #: XXXXX 
 WEIGHT: 284 lbs.



MAINTENANCE
VIDEOS



⚠ WARNING

- SHIELD MISSING
- DO NOT OPERATE

855-3

FORWARD TO LOWER TINES
BACK TO RAISE TINES

AVANCE PARA BAJAR LOS DIENTES
DE REVERSA PARA LEVANTAR LOS DIENTES

850-CRH

PULL TO ENGAGE TINES

JALE HACIA ARRIBA PARA ENGRANAR LOS DIENTES

800-1

PULL TO ENGAGE TINES

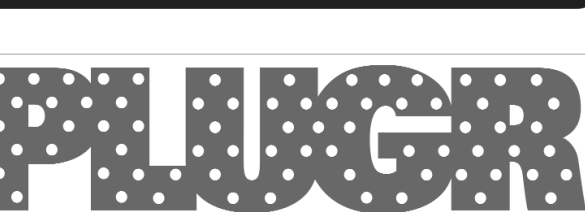
JALE HACIA ARRIBA PARA ENGRANAR LOS DIENTES

800-1

DANGER

KEEP SHIELD IN PLACE
MOVING PARTS
KEEP HANDS AND FEET AWAY
WHEN IN OPERATION
SHUT ENGINE OFF WHEN
SERVICING

TS220-5



PL815

⚠ WARNING
ALWAYS USE EYE AND EAR
PROTECTION
THIS MACHINE PRODUCES
NOISE LEVELS THAT TEST
IN THE RANGE OF 86.4dB(A) - 89.5dB(A).

⚠ WARNING
• SHIELD MISSING
• DO NOT OPERATE



DO NOT OPERATE MACHINERY WITHOUT SAFETY LABELS. FREE REPLACEMENT LABELS ARE AVAILABLE UPON REQUEST BY CONTACTING SOURCEONE CUSTOMER SERVICE.

Parts List for Model PL815

ITEM #	PART #	QTY.	DESCRIPTION
1	PL1003	4	Rubber Latch Kit
2	PL1015	12	Flat Washer, Ø5/16
3	PL1018	2	Engine Pulley, Ø3.5
4	PL1029	7	Nylock Nut, 1/4-20 UNC
5	PL1031	2	Cotter Pin, Ø1/16 x 3/4"
6	PL1042	2	Cartridge Bearing, Ø1.0
7	PL1044	20	Flat Washer, Ø3/8
8	PL1045	4	Nylock Nut, 3/8-16 UNC
9	PL1052	8	Grease Fitting, 1/4-28
10	PL1056	12	Jam Nut, 5/8-11 UNC
11	PL1057	8	Tine, Ø5/8
12	PL1072	8	Nylock Nut, 5/16-18 UNC
13	PL1077	1	Clevis Pin, Ø1/4 x 3/4"
14	PL1078	1	Hex Bolt, 1/2-13 UNC x 2-1/2"
15	PL1079	2	Idler Pulley, Ø2.75 (LH & RH)
16	PL1089	1	Retractor Plate Cable
17	PL1091	5	Flat Washer, Ø1/4
18	PL1115	10	Stainless Rivet, Ø1/8 x 1/4
19	PL1123	1	Key, 3/16" x 1-1/2"
20	PL1126	1	Safety Switch Wire
21	PL1129	1	Safety Switch
22	PL1142	16	Hex Bolt, 3/8-16 UNC x 2"
23	PL1143	4	Hex Bolt, 5/16-18 UNC x 1-1/2"
24	PL1147	1	8 Tine Retractor Plate
25	PL1158	4	Shoulder Bolt, Ø5/16 x 1/4"
26	PL1175	8	Tine Rod
27	PL1176	8	Tine Rod Cap
28	PL1177	16	Journal Bearing, Ø2.0
29	PL1178	4	Fender Washer, Ø5/16
30	PL1179	18	Lock Nut, 3/8-16 UNC
31	PL1201	1	Retractor Handle
32	PL1237	1	Spherical Rod End, 10-32 UNF
33	PL1248	4	Hex Bolt, 5/16-18 UNC x 1-3/4"
34	PL1267	4	Hex Bolt, 1/4-20 UNC x 1"
35	PL1272	1	Eyebolt, Ø1/2 x 1/4-20 UNC
36	PL1291	2	Rivet, Ø3/16 x 3/8"
37	PL1328	2	Hex Bolt, 1/4-20 UNC x 1-3/4"
38	PL1329	5	Flat Washer, Ø1/2
39	PL1345	1	Clevis Pin, Ø1/4 x 1-1/8"
40	PL1512	2	Bushing, 1/2 ID x 3/4 OD x 1/2"
41	PL1522	1	8 Tine Crankshaft
42	PL1523	2	Cotter Pin, Ø1/8 x 1"
43	PL1610	1	GX160 Honda Engine w/ Gearbox
44	PL1625	1	Prehard Roller
45	PL1629	1	Lower Belt Tension Bracket
46	PL1630	1	Upper Belt Tension Bracket
47	PL1632	2	Retractor Plate Arm
48	PL1633	1	Clutch Profile Arm
49	PL1634	2	Clutch Cam Arm
50	PL1637	1	Cable Adjustment Spool

ITEM #	PART #	QTY.	DESCRIPTION
51	PL1653	4	Wheel, 12" w Ø5/8 Bearing Hub
52	PL1655	2	Push Pull Cable, 55"
53	PL1659	2	Cotter Pin, Ø3/32 x 3/4"
54	PL1663	1	Extension Spring, Ø1/2 x 3"-5"
55	PL1667	4	Hex Bolt, 3/8-16 UNC x 1-1/2"
56	PL1668	4	Hex Bolt, 5/8-11 UNC x 4-1/2"
57	PL1671	2	Cogged V-Belt, B 35"
58	PL1675	2	Clevis Pin, Ø3/16 x 3/4"
59	PL1684	1	Safety Switch Ground Wire
60	PL1694	2	Bushing, 1/2 ID x 5/8 OD x 1"
61	PL1711	1	800 Series Frame
62	PL1712	1	800 Series Cover
63	PL1722	1	800 Series Handle
64	PL1723	1	800 Series Clutch Lever
65	PL1752	1	Adjustment Slot Cover
66	PL1757	4	Washer, USS Ø5/16 Thru-Hard
67	PL1758	2	Shoulder Bolt, Ø1/2 x 5/8"

**THESE INSTRUCTIONS ARE TO BE USED
ONLY FOR: MODEL PL815**

**MANUALS FOR OTHER MODELS CAN BE
FOUND AT WWW.SOURCEONEOPE.COM**

WARRANTY

LIMITED WARRANTY FOR PLUGR TURF AERATOR (engine excluded)

For two full years from date of purchase and first use, SourceOne will replace for the original purchaser free of charge any parts of the machine (excluding engine, hydrostat, tines and belts) found upon examination by SourceOne or its approved agent to be defective in material or workmanship or both. This is the exclusive warranty.

All expedited transportation charges on parts submitted for replacement must be borne by purchaser. For warranty service contact the dealer from whom you purchased machine or the factory in Lincoln, Nebraska which reserves the right to examine the machine and make its own evaluation at its option. THERE IS NO OTHER EXPRESS WARRANTY. IMPLIED WARRANTIES, INCLUDING THOSE OF MERCHANTABILITY AND FITNESS FOR A PARTICULAR PURPOSE, ARE LIMITED TO ONE YEAR FROM DATE OF PURCHASE. TO THE EXTENT PERMITTED BY LAW ANY AND ALL IMPLIED WARRANTIES ARE EXCLUDED. LIABILITY FOR CONSEQUENTIAL DAMAGES UNDER ANY AND ALL WARRANTIES ARE EXCLUDED TO THE EXTENT EXCLUSION IS PERMITTED BY LAW. Some jurisdictions do not allow limitations on how long an implied warranty lasts, and some jurisdictions do not allow the exclusion or limitation of incidental or consequential damages, so the above limitation and exclusion may not apply to you. This warranty gives you specific legal rights and you may also have other rights, which may vary from jurisdiction to jurisdiction.

GARANTIA

GARANTIA LIMITADA PARA AIREADOR DE CESPED PLUGR (motor excluido)

Durante dos años completo a partir de la fecha de la compra y el primer uso, SourceOne sustituirá al comprador original gratuitamente cualquier parte de la máquina (excluyendo motor, hidrostato, dientes y bandas) de acuerdo a lo encontrado en el examen por SourceOne o su agente aprobado que esté defectuoso en material o habilidad o ambos. Esta es la garantía exclusiva.

Todos los gastos de envío expedito para reemplazo de partes deben correr por cuenta del comprador. Para servicio de la garantía ponerse en contacto con el distribuidor con quien usted compró la máquina o la fábrica en Lincoln, Nebraska quien se reserva el derecho de examinar la máquina y hacer su propia evaluación a su opción. NO HAY NINGUNA OTRA GARANTIA EXPRESS. LAS GARANTIAS IMPLICITAS, INCLUSO AQUELLAS DE VALOR COMERCIAL Y SALUD PARA UN OBJETIVO PARTICULAR, SON LIMITADAS A UN AÑO A PARTIR DE LA FECHA DE COMPRA. HASTA CIERTO PUNTO SEGUN LA LEY ALGUNA Y TODAS LAS GARANTIAS IMPLICITAS SON EXCLUIDAS. LA RESPONSABILIDAD DE DAÑOS CONSECUENTES BAJO ALGUNA Y TODAS LAS GARANTIAS ES EXCLUIDA DE ACUERDO A LA LEY. Algunas jurisdicciones no permiten limitaciones sobre cuanto tiempo una garantía implícita puede durar, y algunas jurisdicciones no permiten la exclusión o la limitación de daños secundarios o consecuentes, entonces la susodicha limitación y exclusión puede no aplicarse con usted. Esta garantía le da derechos legales específicos y usted puede tener también otros derechos, que pueden variar de jurisdicción a jurisdicción.