

2

OPTIONAL ACCESSORIES

HOSE KITS

For vacuuming in hard to reach areas.

3" Vacuum Hose Kit for vacuuming heavy debris P/N 800086.
3" (76.2mm) x 10' (3.05m).

5" Vacuum Hose Kit for vacuuming bulk debris P/N 800084.
5" (127mm) x 10' (3.05m).

6" Vacuum Hose Kit for vacuuming large debris P/N 800359.
6" (152.4mm) x 10' (3.05m).

HOSE COUPLER KITS

Joins 2 or more hoses to increase vacuuming distance.

3" (76.2mm) COUPLER
P/N 800332

5" (127mm) COUPLER
P/N 800334

6" (152.4mm) COUPLER
P/N 800336

EXHAUST HOSE KIT

P/N 800077

Increases exhaust distance.

BAG SUPPORT

P/N 800484 *Keeps bag from dragging ground.*

DEBRIS BAGS

REPLACEABLE DEBRIS

BAG P/N 800730

DEBRIS BAG COVER

P/N 800993 *Directs dust downward, away from operator.*

MAGNETIC BAR KIT

P/N 800081. *For picking up nuts, bolts and small metallic scraps.*

BRUSH KIT P/N 800082

Improves vacuum pickup.

SUPER SILENT MUFFLER KIT P/N 800952

Reduces engine noise.

SP UNITS ONLY

SPEED UP KIT P/N 810233

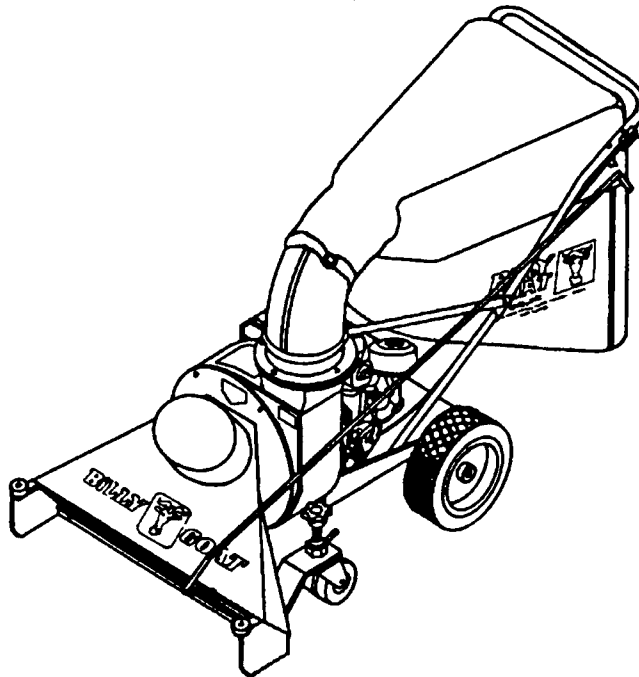
Increases ground drive speed to 2.9 mph (3.68 kmh) from 1.53 mph (2.46 kmh).

1

**BILLY
GOAT**
INDUSTRIES, INC.



CE95



Thank You for Selecting

The Powerful BG SELF-PROPELLED VACUUM

Operator Owner's Manual

PUSH MODELS:

BG60AIC, BG60AH

SELF PROPELLED MODEL:

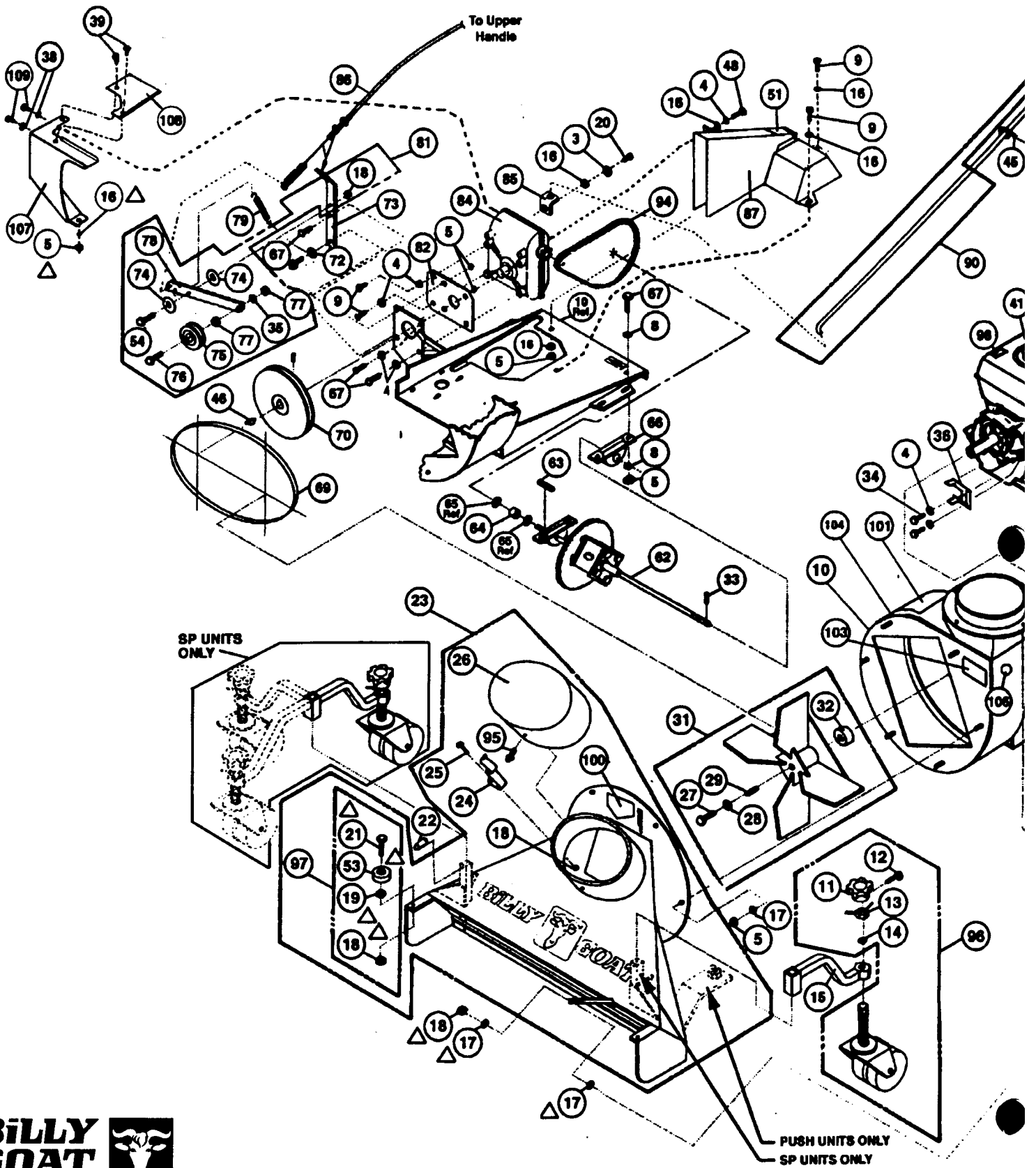
BG80PIC

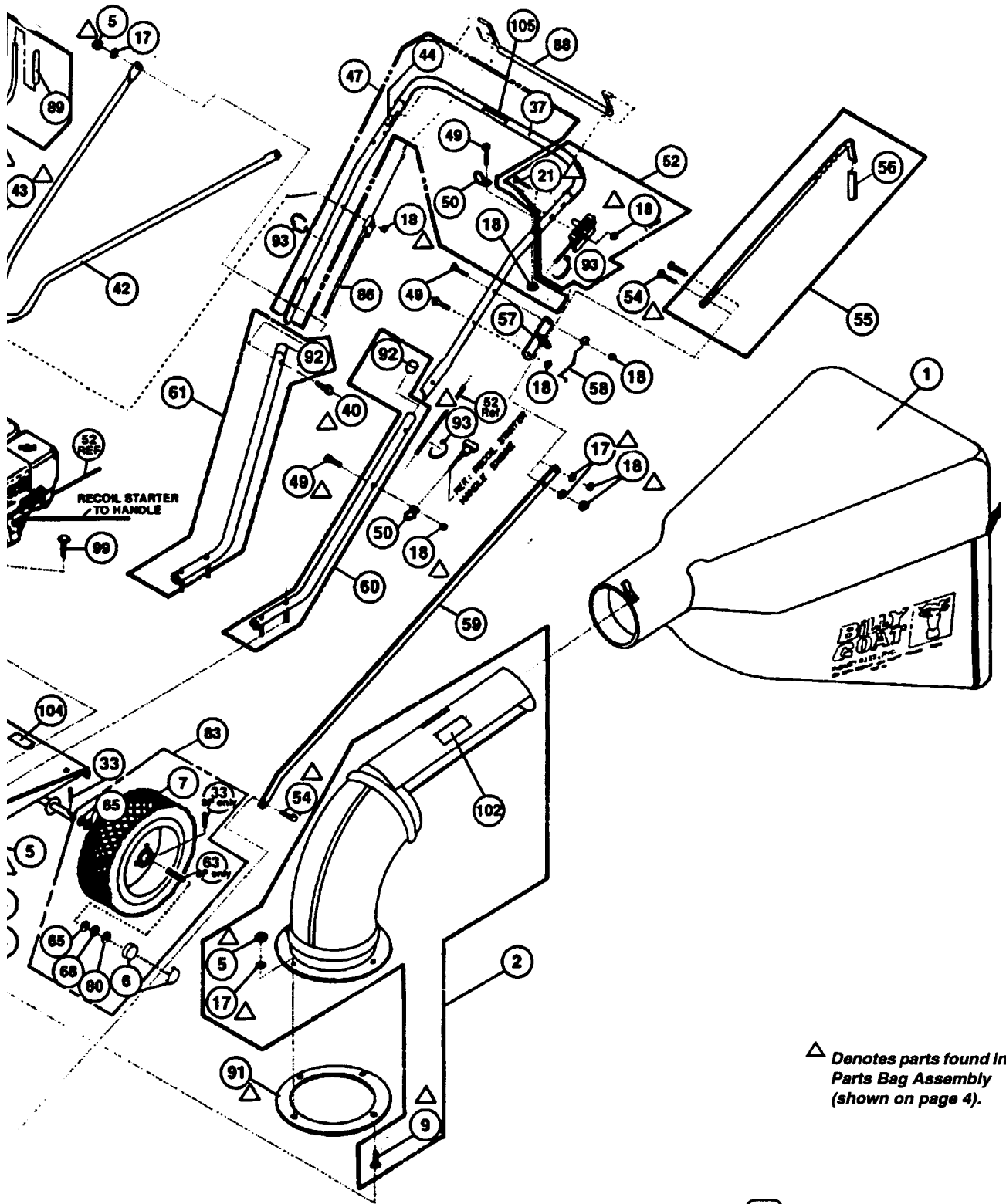
3

Specifications

	BG60AIC	BG60AH	BG80PIC
ENGINE: H.P.	8 (5.98 kW)	8 (5.98 kW)	8 (5.98 kW)
ENGINE: TYPE	B&S IC	HONDA OHV	B&S IC
ENGINE: FUEL CAP.	4 qt. (3.8 L)	6.4 qt. (6.1 L)	4 qt. (3.8 L)
ENGINE: OIL CAP.	1.37 qt. (1.3 L)	1.16 qt. (1.1 L)	1.37 qt. (1.3 L)
WEIGHT: UNIT	176 lbs. (79.8 kg)	171 lbs. (77.6 kg)	206 lbs. (93.4 kg)
WEIGHT: SHIPPING	185 lbs. (83.9 kg)	180 lbs. (81.6 kg)	212 lbs. (96.2 kg)
ENGINE: WEIGHT	49 lbs. (22.2 kg)	43.7 lbs. (19.8 kg)	49 lbs. (22.2 kg)

UNIT SIZE: OVERALL LENGTH: 68" (1.73m) OVERALL WIDTH 30" (0.76m) OVERALL HEIGHT 42" (1.07m)





18 PARTS DRAWING

**BG60AIC, BG60AH,
BG80PIC**

Item No.	19 PARTS LIST	Description	BG60AIC	Qty.	BG60AH	Qty.	BG80PIC	Qty.		
			Part No.		Part No.		Part No.			
1	BAG (SERVICE STRAP ASSY NO. 900606) (SERVICE ZIPPER NO. 900478)		800730	1	800730	1	800730	1		
2	ELBOW ASS'Y (INCLUDES ITEM 5, 9, 17)		*810139	1	810139	1	810139	1		
3	WASHER, LOCK SPRING 1/4 MED		-	-	-	-	*8177010	1		
4	WASHER, LOCK SPRING 5/16 MED		-	-	-	-	*8177011	5		
5	NUT, LOCK 5/16-18		*8160002	20	*8160002	20	*8160002	29		
6	HUB CAP		800302	2	800302	2	900486	2		
7	WHEEL (PNEUMATIC PART NO. 400295)		800137	2	800137	2	800994	2		
8	WASHER, FLAT 5/16		*8171003	4	*8171003	4	*8171003	12		
9	SCREW, CAP 5/16-18 X 3/4		*8041026	4	*8041026	4	*8041026	8		
10	FRAME		800418	1	800418	1	800419	1		
11	KNOB, HAND		850154	2	850154	2	850154	2		
12	SCREW, MACHINE #10 - 24 X 2		*8059143	2	*8059143	2	*8059143	2		
13	NUT, LOCK CASTER		800227	2	800227	2	800227	2		
14	WASHER, 3/4 PLASTIC		800109	2	800109	2	800109	2		
15	CASTER, ARM W. A.		-	-	-	-	800221	2		
16	WASHER, FLAT CUT 1/4 (5/16 X 3/4 X 1/16)		-	-	-	-	*8171002	12		
17	WASHER, 5/16 SAE		*8172008	20	*8172008	20	*8172008	16		
18	NUT, LOCK 1/4-20		*8160001	12	*8160001	12	*8160001	14		
19	NUT, REGULAR 1/4-20		*8142001	2	*8142001	2	*8142001	2		
20	SCREW, CAP 1/4-28 X 1/2		-	-	-	-	850408	1		
21	SCREW, CAP 1/4 - 20 NC x 1 3/4		*8041009	3	*8041009	3	*8041009	3		
22	PIN		-	-	-	-	800365	2		
23	NOZZLE ASS'Y (INCLUDES ITEMES 97, 26, 95, 25, 24, 18)		800931	1	800931	1	800938	1		
24	LATCH SPRING		800311	1	800311	1	800311	1		
25	SCREW, CAP 1/4 - 20 X 3/4		*8041004	2	*8041004	2	*8041004	2		
26	CAP		800183	1	800183	1	800183	1		
27	SCREW CAP 7/16-20 x 2-1/4 GR 8 (TORQUE 60 FT- LBS)(81.4N-m)		-	-	830114	-	-	-		
	SCREW CAP 7/16 - 20 X 1-1/4 GR 5 (TORQUE 60 FT - LBS)(81.4N-m)		800554	1	-	-	800554	1		
28	WASHER LOCK 7/16 TWISTED TOOTH		850132	1	850132	1	850132	1		
29	KEY 1/4 SQ X 2.25 "		9201123	1	9201123	1	9201123	1		
30	PARTS & LIT. BAG (INCL. 117(4), 3(10), 4(8), 8(3) push, 5 SP, 43(1), 54(3), 48(1), 5(4) - 18(7) push, 8 SP, 18(2), 21(2), SP only 45(1))		800757	1	800757	1	810166	1		
31	IMPELLER ASSEMBLY (INCLUDES ITEMS 27, 28, 29, 32)		800988	1	810237	1	800090	1		
32	SPACER IMPELLER		-	-	830112	1	-	-		
33	COTTER PIN 1/8 X 1 push units / 1/8 x 1 1/4 SP units		*8197031	2	*8197031	2	*8197032	2		
34	SCREW CAP 3/8-16 X 3/4		-	-	-	-	*8041048	2		
35	WASHER LOCK 3/8		-	-	-	-	*8177012	1		
36	GUARD BELT GUIDE		-	-	-	-	811053	1		
37	GRIP HANDLE		400570	2	400570	2	400570	2		
38	WASHER LOCK 1/4 EXT		-	-	-	-	*8181007	2		
39	SCREW SM 1/4 x 3/8 HEX		-	-	-	-	*8122082	2		
40	SCREW CAP 5/16-18 X 1 - 3/4		*8041031	6	*8041031	6	*8041031	6		
41	ENGINE BRIGGS 8 HP IC		800880	1	-	-	800880	1		
	ENGINE 8 HP HONDA		-	-	400937	1	-	-		
42	HANDLE BRACE		800200	1	800200	1	800200	1		
43	NUT LOCK 3/8 -16		*8160003	1	*8160003	1	*8160003	1		
44	LABEL DRIVE		-	-	-	-	810207	1		
45	EYE BOLT - CLUTCH LEVER		-	-	-	-	800312	1		
46	KEY HI PRO 3/16 X 3/4		-	-	-	-	850234	1		
47	HANDLE TOP ASS'Y (INCLUDES ITEMS 49(2), 50(2), 18(2))		810134	1	810134	1	810134	1		
48	SCREW SELF TAP 5/16 X 3/4 HEX		-	-	-	-	8123128	1		
49	SCREW CAP 1/4-20 X 1 - 1/2		*8041008	5	*8041008	5	*8041008	5		
50	BAG LOOP		800178	3	800178	3	800178	3		
51	LABEL OIL CHAIN		-	-	-	-	830502	1		
52	THROTTLE CONTROL ASS'Y (INCLUDES ITEMS 18, 21, 93)		810135	1	810135	1	810135	1		
53	WHEEL PROTECTOR		800169	2	800169	2	800169	2		
54	SCREW CAP 1/4-20 X 1		*8041006	3	*8041006	3	*8041006	4		
55	LEVER ASS'Y (INCLUDES ITEM 56)		800932	1	800932	1	800932	1		
56	TUBE FLAT BAR		800886	1	800886	1	800886	1		
57	LATCH		800294	1	800294	1	800294	1		
58	LEVER SPRING		800310	1	800310	1	800310	1		
59	LINK		800301	1	810987	1	800301	1		
60	LOWER HANDLE SECTION L.H. ASS'Y (INCLUDES ITEM 92)		800933	1	800933	1	800933	1		
61	LOWER HANDLE SECTION R. H. ASS'Y (INCLUDES ITEM 92)		800943	1	800943	1	800943	1		
62	DIFFERENTIAL WITH SPROCKET (DRIVE SPROCKET ONLY)		-	-	-	-	800996	1		
63	KEY 3/16 SQ X 1 - 3/4 LG.		-	-	-	-	9201084	2		
64	SPACER		-	-	-	-	800421	1		
65	WASHER 3/4 SAE		-	-	-	-	*8172015	6		
66	BEARING PILLOW BLOCK		-	-	-	-	800557	2		
67	SCREW CAP 5/16-18 X 1		-	-	-	-	*8041028	8		
68	WASHER 3/4 (0.765 X 1.25 X 0.06)		-	-	-	-	850238	2		
69	BELT DRIVE		-	-	-	-	800250	1		
70	PULLEY WITH SET SCREW		-	-	-	-	800251	1		
71										
72	WASHER 3/8 WITH HOLE		-	-	-	-	800889	1		
73	BAR BRACKET IDLER		-	-	-	-	810159	1		
74	WASHER FENDER 1/4 (9/32 I.D. X 1 - 1/4 O.D. X 3/64) -		-	-	-	-	*8172019	2		
75	PULLEY IDLER		-	-	-	-	800260	1		
76	BOLT IDLER		-	-	-	-	800888	1		
77	NUT 3/8-16 REGULAR		-	-	-	-	*8142003	2		
78	BAR IDLER		-	-	-	-	800261	1		
79	SPRING		-	-	-	-	800242	1		
80	WASHER HUB CAP		-	-	-	-	850237	2		

* Denotes standard hardware
item that may be purchased
locally.△ Denotes parts found in
parts bag assembly.

Item No.	19 PARTS LIST	Description	BG60AIC	Qty.	BG60AH	Qty.	BG80PIC	Qty.		
			Part No.		Part No.		Part No.			
81		IDLER ASS'Y. (INCLUDES 18 (1), 35 (1), 54(1), 73 THRU 78)	-	-	-	-	810211	1		
82		PLATE ADAPTER	-	-	-	-	810157	1		
83		WHEEL ASS'Y. BGSP includes 6 (1), 7(1), 65(1), 68 (1), 80(1), 63(1))	-	-	-	-	800895	2		
84		TRANSMISSION REV FWD.	-	-	-	-	810206	1		
85		BRACKET ANGLE SHIFT	-	-	-	-	810158	1		
86		CABLE CLUTCH ASS'Y BG	-	-	-	-	810160	1		
87		GAURD CHAIN W/LABELS (INLUDES ITEM 51)	-	-	-	-	811041	1		
88		ROD BAIL ASS'Y	-	-	-	-	810171	1		
89		GRIP	-	-	-	-	800885	1		
90		ROD LEVER SHIFT ASS'Y (INCLUDES ITEM 89)	-	-	-	-	810162	1		
91		FLANGE GASKET	800411	1	800411	1	800411	1		
92		CAP ENDS	800392	2	800392	2	800392	2		
93		CLAMP CABLE PLASTIC	900813	3	900813	3	900813	5		
94		CHAIN DRIVE BG	-	-	-	-	810156	1		
95		SCREW SHEET METAL 1/4 AB X 3/4	8122082	1	8122082	1	8122082	1		
96		CASTER DUALASSY (INCLUDES (1) OF EACH 11, 12, 13, 14)	800682	2	800682	2	800682	2		
97		PROTECTOR WHEEL ASS'Y (INCLUDES ONE EACH OF 21, 19, 18, 53)	800347	2	800347	2	800347	2		
98		LABEL DO NOT FILL WHILE ENGINE IS HOT	400268	1	400268	1	400268	1		
99		SCREW CAP 5/16 NC X 1 - 3/4	*8041031	4	*8041031	4	*8041031	4		
100		LABEL DANGER KEEPS HANDS & FEET AWAY	400424	1	400424	1	400424	1		
101		LABEL CAUTION	830138	1	830138	1	830138	1		
102		LABEL FLYING MATERIAL	810736	2	810736	2	810736	2		
103		LABEL EAR EYE BREATHING	890254	1	890254	1	890254	1		
104		LABEL WARNING GUARDS	-	-	-	-	900327	1		
105		LABEL CLUTCH	-	-	-	-	900328	1		
106		LABEL READ	890301	1	890301	1	890301	1		
107		GUARD PULLEY BG80	-	-	-	-	811037	1		
108		GUARD BELT BG80	-	-	-	-	811038	1		
109		SCREW SELF TAP 1/4 - 14 X 3/4	-	-	-	-	900505	2		