



QVSPEU Owner's Manual



Image shown with optional accessories

QVSPEU VACUUM Owner's Manual

QV550HSPEU, QV900HSPEU
Beginning Serial #: 020416001

Accessories

ADJUSTABLE HANDLE	VACUUM HOSE KIT
Allows for the handle to be raised or lowered for comfort.	5" (127mm) x 10' (3m) collapsible hose for vacuuming in hard-to-reach areas
P/N 831614	P/N 831018

Debris bags and Filter

DEBRIS BAG SKIRT	STANDARD DEBRIS BAG	HOOD FILTER	DEBRIS AND DUST SOCK
Directs dust away from the operator.	Standard on QV models. For dusty conditions.	Filters out dust from vacuum exhaust.	Traps dust keeping it away from the operator.
P/N 831268	P/N 831613	P/N 831226	P/N 831282

Original Instructions

IMPORTANT- READ CAREFULLY BEFORE USE AND KEEP FOR FUTURE REFERENCE.



QVSPEU Owner's Manual

CONTENTS

SPECIFICATIONS AND SOUND/VIBRATION	3
INSTRUCTION LABELS	4
PACKING CHECKLIST AND ASSEMBLY	5
OPERATION AND BAG CARE	6-7
MAINTENANCE AND TROUBLESHOOTING	8-9
ILLUSTRATED PARTS & PARTS LISTS	10-13
DECLARATION OF CONFORMITY	14-16



QV SPEU Owner's Manual

SPECIFICATIONS

	QV550HSPEU	QV900HSPEU
HP	5.5 (4.1 kW)	9.0 HP (6.6kW)
Engine: Type	GX160T1QX2	GX270K1QA2
Engine: Fuel Capacity	3.88 qt. (3.6 L)	6.3 qt. (6.0L)
Engine: Oil Capacity	0.69 qt. (0.65 L)	1.16 qt. (1.1L)
Total Unit Weight:	226# (102.5 kg)	248# (112.5 kg)
Overall Length	63" (1.6m)	63" (1.6m)
Overall Width	33" (0.84m)	33" (0.84m)
Overall Height	51" (1.3 m)	51" (1.3 m)
Max. operating slope	20 ⁰	20 ⁰
Sound at operators ear	79 dBa	84 dBa
In accordance with 2000/14/EEC	99 dBa	104 dBa
Vibration at operator position	0.38g (3.73m/s ²)	0.47g (4.65m/s ²)

SOUND



SOUND LEVEL 84 dB(a) at Operator Position

Sound tests were conducted in accordance with 2000/14/EEC, and were performed on 4-12-12 under the conditions listed below.

⚠ Sound power level listed is the highest value for any model covered in this manual. Please refer to the serial plate on the unit for the sound power level for your model.

General Conditions:	Sunny
Temperature:	46°F (8°C)
Wind Speed:	13 mph (21 kmh)
Wind Direction:	South East
Humidity:	55%
Barometric Pressure:	30.15"Hg (766 mm Hg)

VIBRATION DATA

VIBRATION LEVEL 0.47g (4.65 m/s²)

Vibration levels at the operator's handles were measured in the vertical, lateral and longitudinal directions using calibrated vibration test equipment. Tests were performed on 4-12-12 under the conditions listed below.

General Conditions:	Sunny
Temperature:	46°F (8°C)
Wind Speed:	13 mph (21 kmh)
Wind Direction:	South East
Humidity:	55%
Barometric Pressure:	30.15"Hg (766 mm Hg)



QVSPEU Owner's Manual

INSTRUCTION LABELS

The labels shown below were installed on your BILLY GOAT® QVSPEU Vacuum. If any labels are damaged or missing, replace them before operating this equipment. Item numbers from the Illustrated Parts List and part numbers are provided for convenience in ordering replacement labels. The correct position for each label may be determined by referring to the Figure and Item numbers shown.

LABEL WARNING
ITEM #35 P/N 831265



LABEL THROTTLE
ITEM #106 P/N 810656

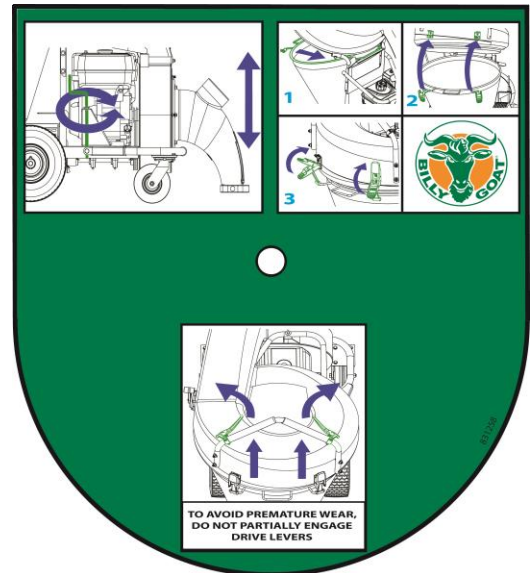


LABEL DANGER GUARDS
ITEM #106 P/N 900327

LABEL DRIVE DIRECTION
ITEM # 38 P/N 831270



INSTRUCTION LABEL
ITEM # 37 P/N 831258



ENGINE LABELS

HONDA

- READ OWNER'S MANUALS BEFORE OPERATION.
- LIRE LE MANUEL D'UTILISATEUR AVANT USAGE.
- VOR INBETRIEBNAHME UNBEDINGT BEDIENUNGSANLEITUNG DURCHLESEN.
- NO UTILIZAR SIN ANTES NO HABER LEIDO EL MANUAL.





QVSPEU Owner's Manual

PACKING CHECKLIST

Your Billy Goat is shipped from the factory in one carton, completely assembled except for the nozzle and handle.



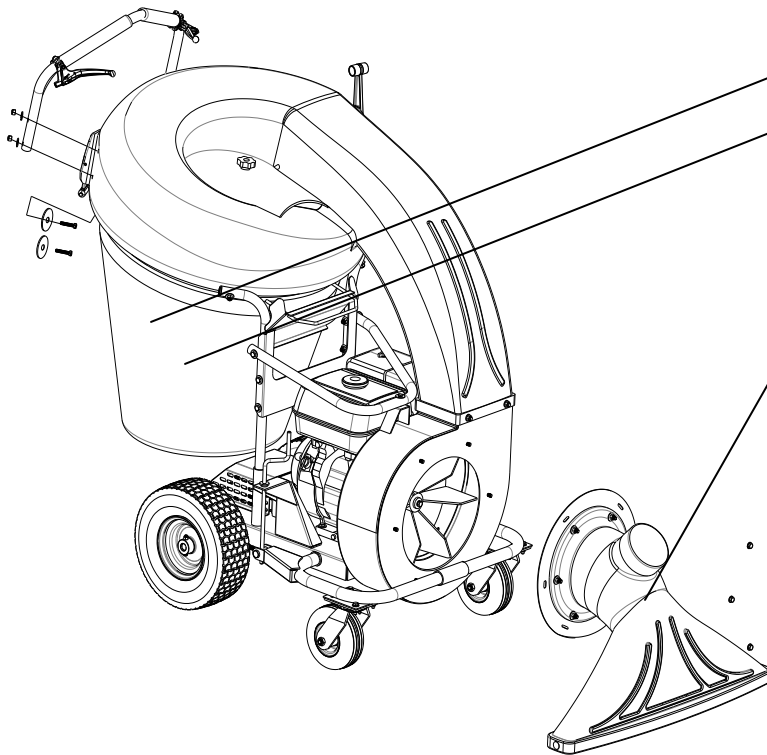
READ all safety instructions before assembling unit.
TAKE CAUTION when removing the unit from the box.



PUT OIL IN ENGINE BEFORE STARTING

PARTS BAG & LITERATURE ASSY

Warranty card P/N- 400972, Operator's Manual P/N-831500, Declaration of Conformity P/N-831503. General Safety and Warnings Manual P/N-100294



Boxing Parts Checklist

- Debris Bag P/N-831225
- Dust Sock P/N-831268
- Front Nozzle P/N-831606
- Literature Assy P/N-831019
- Screwcap 5/16"-18 x 1 3/4 qty 4
P/N-8041031
- Washer 2" OD x .344 ID qty 4
P/N-810652
- Washer 5/16" Flat qty 4
P/N-8171003
- Nut Lock 5/16" - 18 qty 4
P/N-8160002
- Honda 9 HP
- Honda 5.5 HP

ASSEMBLY

NOTE: Items in () can be referenced in the Parts Illustrations and Parts Lists on pages 10-13.

1. **REMOVE** the unit from the box. Be careful as cables could snag.
2. **REMOVE** the bag and attach the handle to the hood using the hardware from the parts bag. The large washer should be on the inside and the bolt should run from the inside of the hood out. The arch of the handle should be facing to the front of the machine and the cables should not be twisted around each other. *NOTE:* The left cable should run to the right side of the transmission and right cable to the left of the transmission. Cable twisting will interfere with the operation of the machine and will cause premature cable wear.
3. **ATTACH** the front nozzle (item 7) to the housing and secure it with the serrated hex nuts (item 58) located in the parts bag.



OPERATION

VACUUM OPERATION

⚠ WARNING: The maximum RPM's on the unit's engine are set. Altering them from the factory settings could potentially damage the unit and void warranty.

VACUUM NOZZLE HEIGHT ADJUSTMENT: Adjust by turning the knob clockwise to increase height and counter-clockwise to lower it. Adjust nozzle height according to surface conditions and debris size. For vacuuming on flat surfaces, set nozzle 1/2" (12.7 mm) to 5/8" (15.8 mm) above ground. Adjust higher for uneven terrain and turf.

FOR MAXIMUM PICKUP: Adjust nozzle close to debris, but without blocking airflow into the nozzle. *NOTE:* Never bury nozzle into debris.

✋ ⚠ CLEARING A CLOGGED NOZZLE & EXHAUST: Turn engine off and wait for impeller to stop completely and disconnect spark plug wire. Wearing durable gloves, remove clog.

⚠ DANGER, the clog may contain sharp materials. Reconnect spark plug wire.

PROPULSION

First set the forward or reverse lever to the desired position. (Having the lever straight up will put the unit into neutral). To drive in a straight path squeeze both levers, for turning right squeeze the right lever only and likewise to turn left, squeeze the left lever. When no levers are engaged the unit will freewheel. **DO NOT** partially engage the transmission when engaging the levers. The levers must be completely engaged. Prolonged use of partial engagement could cause internal damage to transmission.

DEBRIS BAG

Debris bags are normal replaceable wear items.

NOTE: Frequently empty debris to prevent bag overloading with more weight than you can lift. Use the dust skirt when debris will be vacuumed in dusty conditions.

DO NOT place bag on or near hot surface, such as engine. Run engine at 1/2 throttle for first 1/2 hour to condition new bag. Your new bag requires a break-in period to condition the pores of the material against premature blockage. The entire bag surface serves as a filter, and must be able to breathe to have good vacuum performance. Be sure engine has come to a complete stop before removing or emptying bag.

HOOD FILTER

Hood filters are normal replaceable wear items. The hood filter is for use in dry dusty conditions only. **DO NOT** get the filter wet. Clean with light compressed air only.

DUST SOCK

Dust socks are normal replaceable wear items. See dust sock care next page.

DUSTY CONDITIONS

This vacuum is designed for picking up trash, organic material and other similar debris. However, many vacuums are used where dust is mixed with trash. Your unit can intermittently vacuum in dusty areas. Dust is the greatest cause of lost vacuum performance. However, following these rules will help maintain your machine's ability to vacuum in dusty conditions:

- Run machine at idle to quarter throttle.
- The debris bag must be cleaned more frequently. A vacuum with a clean, pillow soft bag will have good pickup performance. One with a dirty, tight bag will have poor pickup performance. If dirty, empty debris and vigorously shake bag free of dust. Having one or more spare debris bags is a good way to reduce down time while dirty bags are being cleaned. **DO NOT** leave debris in bag while in storage.



QVSPEU Owner's Manual

DUST SOCK CARE AND MAINTENANCE

Purpose: The dust sock acts as a secondary filter lowering the amount of dust that escapes the bag.

Dust socks are to be used in dry and dusty conditions **ONLY**. Using the dust sock in damp or wet conditions may damage the dust sock and decrease the effectiveness of the filter.

The dust sock may be installed by simply attaching the mating Velcro strips between the bag and the dust sock. Over time the dust sock will begin to fill with dust during use. Periodically remove the dust sock, empty the loose dust out and clean the sock. For a light clean, simply shake the sock, for a deep clean, see below. To remove the sock, simply separate the Velcro.



Dust Sock Care Information:



DO NOT STRIKE THE BAG WITH OR AGAINST OBJECTS



DO NOT SNAG THE BAG



LIGHTLY CLEAN WITH COMPRESSED AIR ONLY, FROM THE OUTSIDE IN. KEEP THE NOZZLE 6-12 INCHES FROM FABRIC



DO NOT GET WET

Dust socks are normal replaceable wear items. Replacement P/N- 831282



QVSPEU Owner's Manual

MAINTENANCE

NOTE: Items in () can be referenced in the Parts Illustrations and Parts Lists on pages 10-13.

PERIODIC MAINTENANCE

Periodic maintenance should be performed at the following intervals:

Maintenance Operation	Every Use (daily)	Every 5 hrs (daily)	Every 10 Hrs	Every 25 Hrs	Every 50 Hrs
Inspect for loose, worn or damaged parts		●			
Clean debris bag	●				
Check tire pressure	●			●	
Engine (See Engine Manual)					
Check for excessive vibration		●			
Check belt					●
Grease zerks					●

Grease: Wheels, Casters, and Shaft Bearings.

Tire air pressure: Check at regular intervals & maintain: Rear SP 13" tires at **20 psi.** (137.9 kPa).

IMPELLER REMOVAL

1. Disconnect spark plug wire.
2. Secure the unit to keep it from moving.
3. Remove the nozzle (item 7) from the housing, then remove the plate it was attached to (item 30).
4. Walk the belt (item 22) off of the lower pulley (item 23) and then slide it off of the impeller groove. If you cannot walk it off of the bottom pulley loosen the bearings (item 24) on the underside this will allow a little more play in the pulley.
5. Slide belt out of belt groove in impeller hub drive pulley.
6. Remove impeller bolt and lock washer.
7. If impeller slides off freely, proceed to (step 12). **(Do not drop impeller).**
8. If impeller does not slide off crankshaft, place two crowbars between impeller and housing on opposite sides. Pry impeller away from engine until it loosens. *A penetrating oil can help loosen a stuck impeller.*
9. Slide impeller off of crank shaft and remove impeller from housing.
10. Reinstall new impeller, new impeller bolt and lock washer in reverse order of removal. (See the Parts Illustration on pages 10-13 for parts break-down and Parts List on page 11 for proper impeller bolt torque specifications.)
11. When impeller is installed, slide the belt back into the groove on the hub and walk it back onto the bottom pulley. Retighten the bearings if they were loosened.
12. Reattach nozzle plate and nozzle in reverse order of removal.
13. Reconnect spark plug wire.
14. Check for proper operation.

DRIVE

Belts are normal replaceable wear items.

BELT REPLACEMENT

1. Follow steps 1-9 in the impeller removal section. The impeller will need to be removed to replace the belt
2. Loosen the set screws on the pulley at the end of the shaft. This will allow the pulley to slide out of the way of the belt. Walk the old belt off the pulley.
3. Remove the old belt by feeding it through the housing and replace it with a new one, making sure to walk the belt around the bottom pulley.

Continued next page



QVSPEU Owner's Manual

4. Install the impeller and make sure the belt is in the groove on the hub. Use new hardware to attach the impeller. **DO NOT** reuse old impeller bolts.
5. Align the pulley so the belt will be running straight, then tighten the set screws. *NOTE:* make sure the key is in the lower pulley is still in place and hasn't fallen out.
6. Reattach the nozzle plate and nozzle in reverse order of removal.
7. Reconnect spark plug wire.
8. Check for proper operation.

DRIVE CABLE ADJUSTMENT

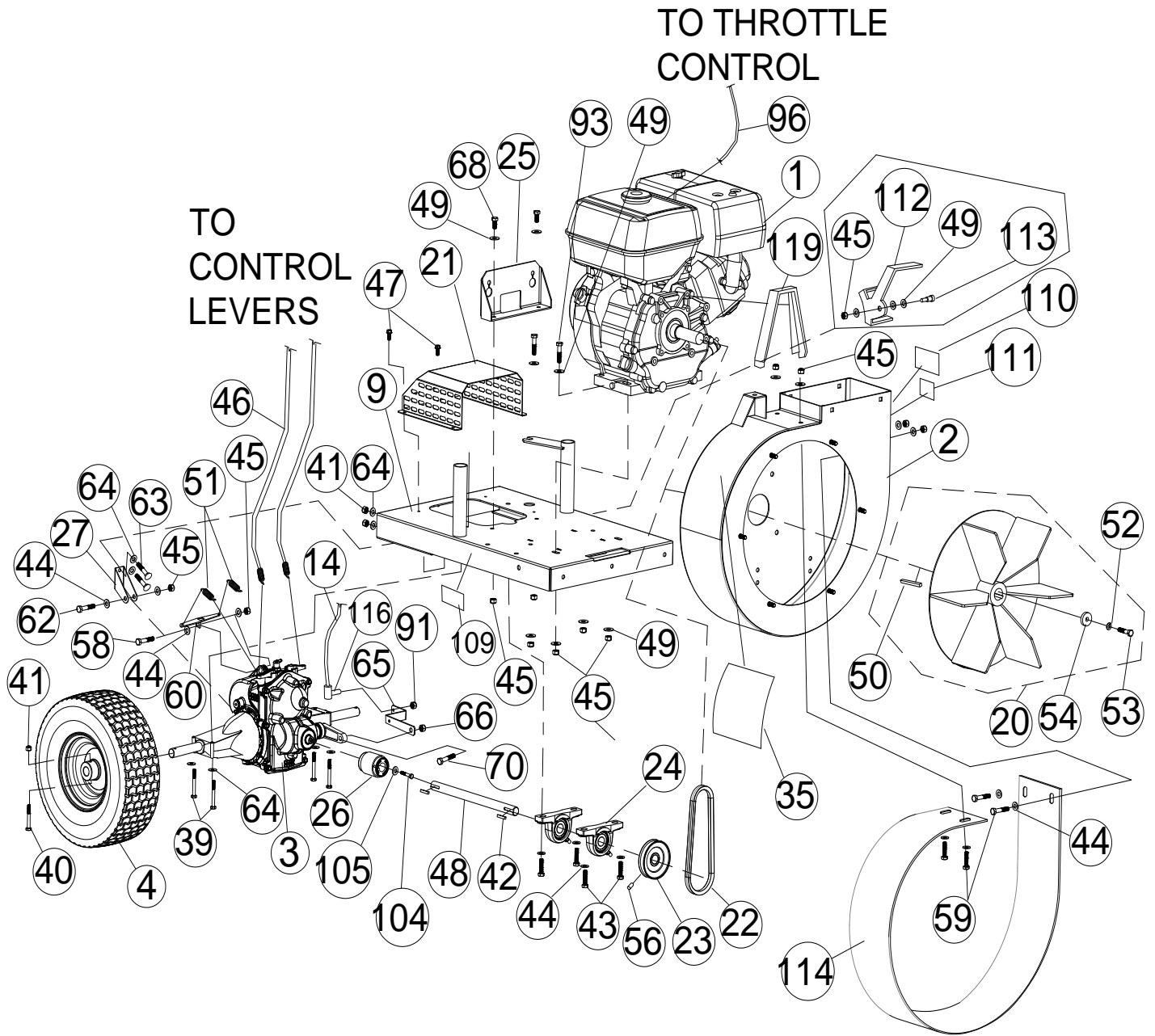
1. Disconnect spark plug wire.
2. Remove the bag (item 5) and transmission cover (item 21) which will allow the transmission drive lever arms to be visible.
3. Loosen the two nuts on the barrel of the cable going into the drive levers.
4. Tension on the drive lever is reduced when the barrel of the cable is moved upwards towards the lever and tension is increased when the barrel is removed further away from the lever. *NOTE:* Moving the barrel too much in either direction will result in the drive lever constantly being engaged or not engaging at all.
5. When engaging the drive levers check the exposed transmission to make sure that the arms are properly engaging and returning to a disengaged position.
6. Reattach the transmission cover and bag.
7. Reconnect spark plug wire.
8. Check for proper operation.

TROUBLESHOOTING

Problem	Possible Cause	Solution
Abnormal vibration	Loose or out of balance impeller or loose engine.	Check impeller and replace if required. Check engine.
Will not vacuum or has poor vacuum performance	Dirty debris bag. Nozzle height set too high or low. Hose kit cap missing. Clogged nozzle or exhaust. Excessive quantity of debris.	Clean debris bag. Shake bag clean or wash. Adjust nozzle height. Check for hose kit cap. Unclog nozzle or exhaust. Allow air to feed with debris.
Engine will not start	Stop switch off. Throttle in off position. Engine not in full choke position. Out of gasoline. Bad or old gasoline. Sparkplug wire disconnected. Dirty air cleaner. Low oil (honda only).	Check stop switches, throttle, choke position and gasoline. Connect spark plug wire. Clean or replace air filter. Or contact a qualified service person.
Engine is locked, will not pull over	Debris locked in impeller. Engine problem.	See page 6. Contact a engine service dealer for engine problems.
Nozzle scrapes ground in lowest height setting	Nozzle height out of adjustment.	Adjust nozzle height (See Nozzle height fine adjustment for hard surfaces on page 6.
No self propelling	Transmission not in gear. Drive levers not engaging. Worn out, broken, or mispositioned belt. Return springs on transmission broken.	Check forward/reverse gear selection. Check drive lever cable adjustment and belt. Check return springs on transmission.
Self propelled drive will not release	Drive Levers adjusted too tight keeping the transmission engaged.	Adjust the barrels on the drive levers to decrease the tension on the transmission.



QVSPEU ENGINE PARTS DRAWING





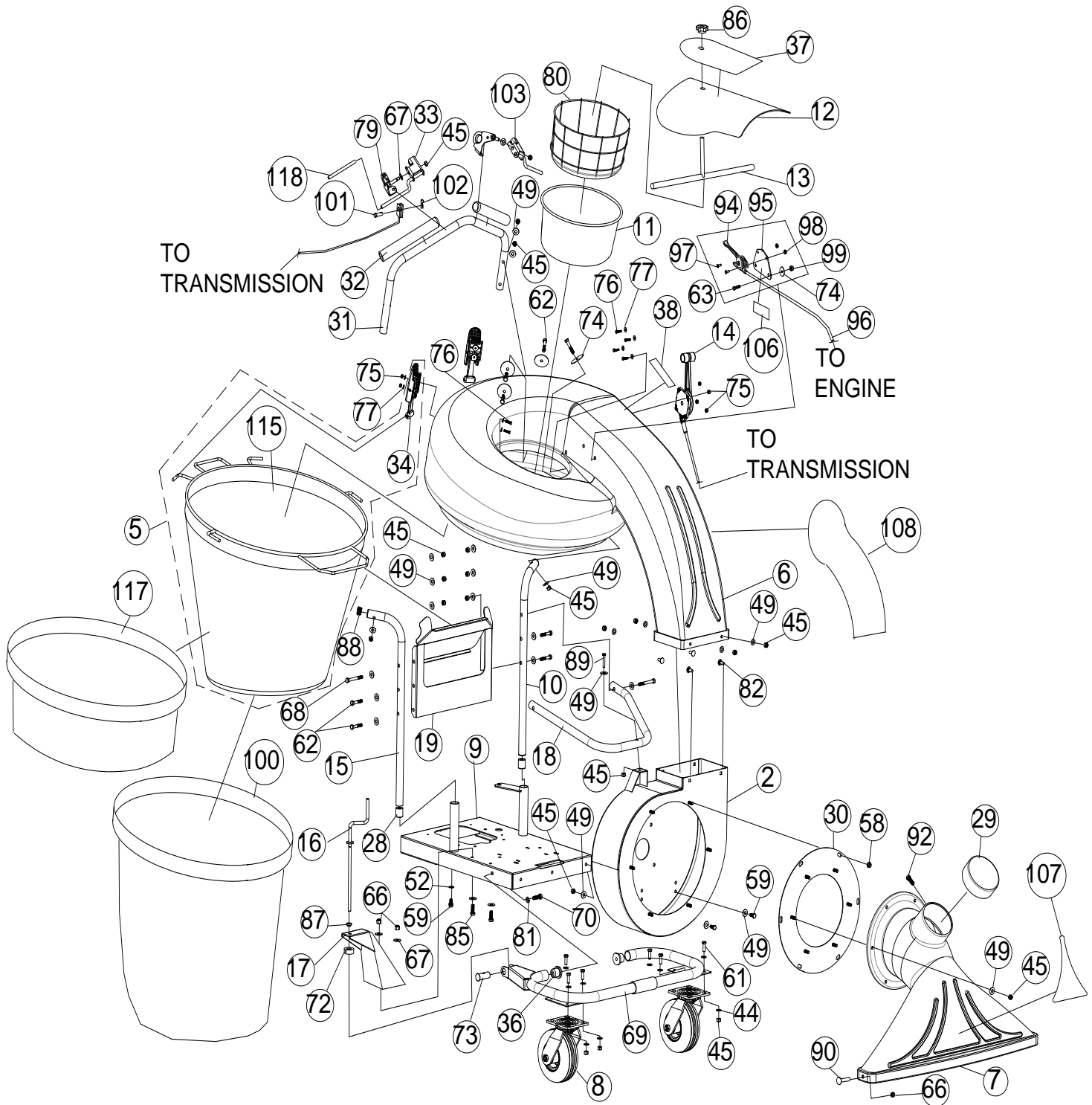
QVSPFU Owner's Manual

QVSPFU ENGINE PARTS LIST

ITEM	DESCRIPTION	QV550HSP PART NO.	QTY	QV900HSP PART NO.	QTY	ITEM	DESCRIPTION	QV550HSP PART NO.	QTY	QV900HSP PART NO.	QTY
1	ENGINE HONDA 5.5 OHV GX160	600115	1	-	-	62	SCREWCAP 5/16"-18 X 1 3/4" HCS ZP	8041031	1	8041031	1
	ENGINE HONDA 9 OHV GX270	-	-	430287	1	63	CARRIAGE BOLT 1/4"-20 X 3/4" ZP	8024021	2	8024021	2
2	HOUSING WA W/LABELS	831600	1	831600	1	64	WASHER 1/4" SAE	8172007	8	8172007	8
3	TRANSAXLE HYDRO GEAR	831218	1	831218	1	65	BRACKET OFFSET SHIFT	831220	1	831220	1
4	WHEEL 13" X 5" PNEU	831203	2	831203	2	66	NUT LOCK 3/8"-16 HEX	8160003	1	8160003	1
9	ENGINE BASE WA	831105	1	831107	1	68	SCREWCAP 5/16"-18 X 3/4 HCS ZP	8041035	2	8041035	2
14	CABLE SHIFTER CONTROL	831228	1	831228	1	70	SCREWCAP 3/8"-16 X 1 1/4" HCS ZP	8041051	1	8041051	1
20	IMPELLER ASSY 5HP (torque 17-22 ft. lbs [23-30 N.m])	831607	1	-	-	91	NUT 1/4"-28 HEX	8149001	1	8149001	1
	IMPELLER ASSY 9HP (torque 55-60 ft. lbs [75-81 N.m.])	-	-	831121-S	1	93	SCREWCAP 5/16"-18 X 1 1/2" HCS ZP	8041030	4	-	-
21	COVER TRANSAXLE WA	831114	1	831114	1		SCREWCAP 5/16"-18 X 1 3/4" HCS ZP	-	-	8041031	4
22	BELT GATES 6822	831219	1	-	-	96	CABLE THROTTLE	440178	1	440178	1
	BELT GATES 6824	-	-	831280	1	104	SCREWCAP 1/4"-20 X 3/4" W/PATCH	831263	1	831263	1
23	PULLEY 3.25 X 3/4" BORE	610417	1	610417	1	105	WASHER .266 X .750 X .156 THK	831264	1	831264	1
24	BEARING 3/4" CAST P BLOCK	350133	2	350133	2	109	LABEL DANGER GUARD	900327	2	900327	2
25	BRACKET MOUNT CONTROL CABLE	831113	1	831113	1	110	LABEL MADE IN USA	520116	1	520116	1
26	COUPLER TRANSAXLE	831205	1	831205	1	111	LABEL PATENT PENDING	500183	1	500183	1
27	BRACKET ANTI ROTATION	831217	1	831217	1	112	BRACKET BRAKE QV	831295	1	831295	1
35	LABEL WARNING QV	831265	1	831265	1	113	BOLT SHOULDER 3/8" X 1/2"	830528	1	830528	1
39	SCREWCAP 1/4"-20 X 2 1/4 HCS ZP	8041011	4	8041011	4	114	LINER QV	831283	1	831283	1
40	BOLT SHOULDER 1/4" X 1 1/2"	831255	2	831255	2	116	BALL JOINT DETACHABLE	831615	1	831615	1
41	NUT LOCK 1/4"-20 HEX ZP	8160001	4	8160001	4	119	BELT GUIDE QV	831302	1	831303	1
42	KEY 3/16" SQ X 1"	9201078	2	9201078	2						
43	SCREWCAP 5/16"-18 X 1 1/4" HCS ZP	8041029	4	8041029	4						
44	WASHER 5/16" SAE	8172008	18	8172008	18						
45	NUT LOCK 5/16"-18 HEX ZP	8160002	11	8160002	11						
46	CABLE TRANS AXLE DRIVE	831309	2	831309	2						
47	SCREW SELF TAP 1/4"-20 X 5/8" HWH TYPE F	890359	4	890359	4						
48	SHAFT DRIVE 5HP QV	831206	1	-	-						
	SHAFT DRIVE 9HP QV	-	-	831230	1						
49	WASHER 5/16" FLAT	8171003	7	8171003	7						
50	KEY 3/16" SQ X 2 1/4"	9201087	1	-	-						
	KEY 1/4" SQ X 2 1/8"	-	-	9201122	1						
51	SPRING RETURN	831210	2	831210	2						
52	WASHER LOCK 5/16" SPLIT	8177011	1	-	-						
	WASHER LOCK 7/16" ST MED	-	-	8177013	1						
53	SCREWCAP 5/16 -24 X 2 1/4" GR. 8 W/PATCH	831272	1	-	-						
	SCREWCAP 7/16-20 X 2" GR. 8 ZP	-	-	500188	1						
54	WASHER 1.125 OD X 0.344 ID X 0.25	441150	1	-	-						
	WASHER 1.5 OD X 0.45 ID X 0.5 THK	-	-	440176	1						
56	SET SCREW 5/16"-18 X 5/16"	8084106	2	8084106	2						
58	SCREWCAP 5/16"-18 X 1 3/4" HCS ZP	8041030	1	8041030	1						
59	SCREWCAP 5/16-18 X 3/4 GR 5 HCS ZP	8041026	4	8041026	4						
60	BRACKET RETURN SPRING MOUNT	831310	1	831310	1						



QVSPEU HOOD PARTS DRAWING





QVSPFU Owner's Manual

QVSPFU HOOD PARTS LIST

ITEM	DESCRIPTION	QV550HSP PART NO.	QTY	QV900HSP PART NO.	QTY	ITEM	DESCRIPTION	QV550HSP PART NO.	QTY	QV900HSP PART NO.	QTY
2	HOUSING QV WA W/LABELS	831600	1	831600	1	92	SCREW PLASTITE 1/4"-20 X 3/4" HWH ZP	840082	1	840082	1
5	BAG QV	831612	1	831612	1	94	CONTROL THROTTLE	440013	1	440013	1
6	HOOD QVSP W/LABELS	831603	1	831603	1	95	PLATE THROTTLE	500385	1	500385	1
7	NOZZLE 32"	831606	1	831606	1	96	CABLE THROTTLE	440178	1	440178	1
8	CASTER SWIVEL QV	831201	2	831201	2	97	SCREW MACH HD PHIL #10-24	830514	2	830514	2
9	ENGINE BASE 5 HP WA SP	831105	1	-	-	98	NUT LOCK LT #10-24	8164005	2	8164005	2
	ENGINE BASE 9 HP WA SP	-	-	831108	1	99	NUT FLANGE 1/4"-20	900453	2	900453	2
10	HANDLE LOWER LFT	831404	1	831404	1	100	DUST SOCK DOUBLE LAYER QV	831282	1	831282	1
11	HOOD FILTER	831226	1	831226	1	101	PIN CLEVIS 0.25 X 0.50	440124	2	440124	2
12	HOOD SCOOP QVSP W/LABEL	831602	1	831602	1	102	PIN CLIP HITCH .051 X 3/4"	440193	2	440193	2
13	ROD FILTER HOLDER QV	831266	1	831266	1	103	ARM CONTROL WA	440277	1	440277	1
14	SHIFTER CONTROL	831228	1	831228	1	106	LABEL THROTTLE	810656	1	810656	1
15	HANDLE LOWER RT	831403	1	831403	1	107	LABEL NOZZLE QV	831261	1	831261	1
16	HEIGHT ADJ ROD	831214	1	831214	1	108	LABEL BADGING QV	831260	2	831260	2
17	HEIGHT ADJ BRACKET WA	831110	1	831110	1	115	BAG QV NO CLASPS SERVICE	831613	1	831613	1
18	HANDLE WISHBONE	831405	1	831405	1	117	DUST SKIRT	831268	1	831268	1
19	BRACKET HANDLE SUPPORT	831222	1	831222	1	118	GRIP CLUTCH CONTROL	440242	2	440242	2
28	SPACER HANDLE 9 HP	-	-	831229	2						
29	CAP 5" VINYL BLACK	831211	1	831211	1						
30	PLATE NOZZLE WA QV	831109	1	831109	1						
31	HANDLE UPPER QV	831406	1	831406	1						
32	GRIP 1" OD X 9.5"	430342	2	430342	2						
33	ARM CLUTCH CONTROL QV WA	831116	2	831116	2						
34	BAG LATCH	840016	2	840016	2						
36	BUSHING FRAME PIVOT	831207	2	831207	2						
37	LABEL INSTRUCTION QV	831258	1	831258	1						
38	LABEL DRIVE DIRECTION	831270	1	831270	1						
44	WASHER 5/16" SAE	8172008	12	8172008	12						
45	NUT LOCK 5/16"-18 HEX ZP	8160002	33	8160002	33						
49	WASHER 5/16" FLAT	8171003	33	8171003	33						
52	WASHER LOCK 5/16" SPLIT	8177011	2	8177011	2						
58	NUT 5/16-18 SER HEX WSHR FLNG ZP	350346	6	350346	6						
59	SCREWCAP 5/16"-18 X 3/4" HCS ZP	8041026	4	8041026	4						
61	SCREWCAP 5/16"-18 X 1" HCS ZP	8041028	6	8041028	6						
62	SCREWCAP 5/16"-18 X 1 3/4" HCS ZP	8041031	12	8041031	12						
63	SCREWCAP 1/4"-20 X 3/4"	8041004	2	8041004	2						
66	NUT LOCK 3/8" -16 HEX	8160003	4	8160003	4						
67	WASHER 3/8" FLAT	8171004	7	8171004	7						
68	SCREWCAP 5/16"-18 2 3/4" HCS ZP	8041035	2	8041035	2						
69	FRAME CASTER QV WA	831108	1	831108	1						
70	SCREWCAP 3/8"-16 X 1 1/4" HCS ZP	8041051	2	8041051	2						
72	STOP COLLAR	831216	1	831216	1						
73	PIVOT HEIGHT ADJ WA	831117	1	831117	1						
74	WASHER 2" OD X 0.344 ID X 16 GA	810652	8	810652	8						
75	NUT LOCK #10-24 HEX	8155007	8	8155007	8						
76	SCREW MACH #10-24 X 3/4"	8059136	8	8059136	8						
77	WASHER #10 SAE	8172005	12	8172005	12						
79	CONTROL MOUNT HANDLE WA	831115	2	831115	2						
80	FILTER FRAME	831223	1	831223	1						
81	WASHER LOCK 3/8" ST MED	8177012	2	8177012	2						
82	BOLT CARRIAGE 5/16"-18 X 3/4" ZP	8024039	4	8024039	4						
85	SCREWCAP 3/4"-16 X 1" HCS ZP	8041050	2	8041050	2						
86	KNOB 3/8" - 18 SOLID HUB	811230	1	811230	1						
87	BUSING HEIGHT ADJ BRKT QV	831215	1	831215	1						
88	PLUG TUBE INSERT 1" OD	890132	2	890132	2						
89	SCREWCAP 5/16"-20 X 1 1/2"	8041030	1	8041030	1						
90	BOLT CARRIAGE 3/8" -16 X 1"	8024058	2	8024058	2						



QVSPFU Owner's Manual



en	English	fi	Suomi	lv	Latviešu	ru	Русский
bg	Български език	fr	Français	nl	Nederlands	sl	Slovenščina
cs	Čeština	el	Ελληνικά	no	Norsk	sk	Slovák
da	Dansk	hr	Hrvatski	pl	Polski	sv	Svenska
de	Deutsch	hu	Magyar	pt	Português	tr	Türkçe
es	Español	it	Italiano	ro	Română		
et	eesti keel	lt	Lietuvių				

en	EC Declaration of Conformity	el	Δήλωση συμμόρφωσης ΕΚ	pl	Deklaracja zgodności UE
bg	Декларация за съответствие с европейските стандарти	hu	EU Megfelelőségi nyilatkozat	pt	Declaração de Conformidade à CE
cs	ES Prohlášení o shodě	hr	EC Deklaracija o sukladnosti	ro	Declarație de conformitate C.E.
da	EC Overensstemmelseserklæring	it	Dichiarazione di conformità CE	ru	Заявление о соответствии стандартам и нормам ЕС
de	EG-Konformitätserklärung	lt	EB atitikties deklaracija	sl	ES izjava o skladnosti
es	Declaración de Conformidad de la CE	lv	EK Atbilstības deklarācija	sk	Vyhlasenie o zhode
et	EÜ vastavustunnistus	nl	E.G. Conformiteitsverklaring	sv	EG-försäkran om överensstämmelse
fi	EC-vaatimustenmukaisuusvakuutus	no	CE konformitetserklæring	tr	EC Uygunluk Deklarasyonu
fr	Déclaration de conformité CE				

en	Category	Vacuum	el	Κατηγορία	κενό	pl	Kategoria	Próżnia
bg	Категория	вакуум	hu	Kategória	vákuum	pt	Categoria	vácuo
cs	Kategorie	Vakuové	hr	Kategorija	Vakuum	ro	Categorie	vid
da	Kategori	vakuum	it	Categoria	vuoto	ru	Категория	вакуум
de	Kategorie	Vakuum	lt	Kategorija	Dulkių	sl	Kategorija	vakuumska
es	Categoría	Aspiradora	lv	Kategorija	vakuums	sk	Kategória	vákuové
et	Katagooria	vaakum	nl	Categorie	vacuüm	sv	Kategori	vakuum
fi	Kategoria	tyhjiö	no	Kategori	vacuum	tr	Kategori	Vakum
fr	Catégorie	vide						

en	This is to certify that the products listed in this document meet the requirements of the European Community Law, and can carry the CE mark. These models comply with the following Directives and related Standards.
bg	Декларацията се издава в удостоверение на това, че изброените продукти съответстват на стандартите на правните норми на Европейския съюз и могат да носят знака CE. Моделите изпълняват директивите и техните стандарти, както следва.
cs	Tímto stvrzujeme, že výrobky uvedené v tomto dokladu splňují požadavky zákonů Evropského společenství a mohou být označeny značkou CE. Tyto modely splňují následující směrnice a související normy.
da	Det bekræftes hermed, at de produkter, der er nævnt i dette dokument, opfylder bestemmelserne i EU-lovgivningen og kan bære CE-mærkatet. Disse modeller er i overensstemmelse med følgende direktiver og relaterede standarder:
de	Hiermit wird bescheinigt, dass die in diesem Dokument aufgeführten Produkte mit den gesetzlichen Bestimmungen der Europäischen Gemeinschaft übereinstimmen und das CE- Zeichen tragen können. Diese Modelle erfüllen die folgenden Richtlinien sowie weitere anzuwendende Normen.
es	La presente certifica que los productos enumerados en este documento cumplen con los requerimientos de la Legislación de la Comunidad Europea, y que pueden portar la marca CE. Estos modelos cumplen con las siguientes Directrices y Estándares relacionados:
et	Kinnitame, et eespool nimetatud tooted vastavad Euroopa Ühenduse seadusandluse nõuetele ja kannavad CE-märgistust. Eespool nimetatud mudelid vastavad järgmistele direktiividele ja seotud standardidele:
fi	Vakuutamme, että tässä asiakirjassa luetellut tuotteet täyttävät Euroopan Unionin lainsäädännön asettamat vaatimukset ja voi saada CE-merkinnän. Nämä mallit täyttävät seuraavien direktiivien ja niitä koskevien standardien vaatimukset:
fr	Nous déclarons par la présente que les produits mentionnés dans le document sont conformes à la législation de la Communauté européenne et peuvent porter le marquage CE. Ces modèles sont conformes aux directives suivantes et aux normes connexes :
el	Με την παρούσα δήλωση πιστοποιείται ότι τα προϊόντα που αναφέρονται στην παρούσα πληρούν τις απαιτήσεις της Ευρωπαϊκής Κοινωνικής Νομοθεσίας και μπορούν να φέρουν τη σήμανση CE. Τα μοντέλα αυτά συμμορφώνονται με τις ακόλουθες Οδηγίες και τα σχετικά Πρότυπα.
hu	Ez annak tanúsítására szolgál, hogy a dokumentumban felsorolt termékek megfelelnek az Európai közösségi jog követelményeinek és viselheti a CE jelzést. Ezek a modellek eleget tesznek a következő irányelveknek és vonatkozó szabványoknak.
hr	Ovo je potvrda da proizvodi koji su navedeni u ovom dokumentu odgovaraju zakonima europske zajednice i da nose CE oznaku. Ovi modeli zadovoljavaju sljedeće direktive i odgovarajuće standarde.
it	Si certifica che i prodotti elencati nel presente documento soddisfanno i requisiti della legislazione della Comunità Europea e possono recare il marchio CE. Questi modelli sono conformi alle seguenti norme e direttive:
lt	Šiuo patvirtiname kad šiame dokumente paminėti produktai atitinka Europos Bendrijos įstatymų reikalavimus ir jie gali būti pažymėti CE ženklu. Šie modeliai atitinka sekančias direktyvas ir standartus.
lv	Ar šo tiek apstiprināts, ka šajā dokumentā uzskaitītie izstrādājumi atbilst Eiropas Kopienas Likuma prasībām un var tikt marķēti ar emblēmu CE. Šie modeļi atbilst sekojošajām Direktīvām un attiecīgajām Normām.
nl	Hiermee wordt gecertificeerd dat de producten die in deze lijst staan opgesomd, voldoen aan de wettelijke voorschriften van de Europese Gemeenschap en mogen worden voorzien van de CE markering. Deze modellen voldoen aan de volgende richtlijnen en bijbehorende normen:
no	Dette sertifiserer at produktene som er nevnt i dette dokumentet oppfyller kravene som stilles av EU, og at de dermed kan CE-merkes. Disse modellene tilfredsstiller følgende direktiver og relaterte standarder:
pl	Niniejszym zaświadcza się, że produkty wymienione w niniejszym dokumencie spełniają wymogi Prawa Wspólnoty Europejskiej i mogą nosić oznakowanie CE. Modele te spełniają wymogi następujących dyrektyw i powiązanych norm.
pt	O presente documento certifica que os produtos listados neste documento atendem aos requisitos das Leis da Comunidade Europeia e podem levar a marca CE. Esses modelos estão de acordo com as seguintes diretivas e padrões relacionados.
ro	Prin prezenta se atestă faptul că produsele menționate în acest document îndeplinesc cerințele de Drept Comunitar European și pot purta sigla C.E. Aceste modele sunt în conformitate cu următoarele directive și standarde asociate.
ru	Настоящим удостоверяется, что перечисленные в этом документе изделия соответствуют требованиям законов Европейского Союза и могут быть обозначены знаком CE. Эти модели отвечают требованиям следующих директив и соответствующих стандартов.
sl	To služi kot potrđitev, da izdelki, ki so navedeni v tem dokumentu, ustrezajo zahtevam zakonodaje Evropske skupnosti in so lahko opremljeni z oznako CE. Ti modeli so v skladu z naslednjimi direktivami in povezanimi standardi.
sk	Týmto vyhlasujeme, že výrobky uvedené v tomto dokumente, splňajú požiadavky zákonov ES a môžu byť označené značkou CE. Tieto modely vyhovujú nasledujúcim smerniciam príslušným normám.
sv	Härmed försäkras att produkterna som finns listade i detta dokument uppfyller kraven i Europeiska gemenskapens lagstiftning och kan förses med CE-märket. Modellerna uppfyller följande direktiv och tillhörande normer.
tr	Bu belgeyle belirlenen ürünlerin Avrupa Birliği Yasası gereksinimlerini karşılayarak CE işareti taşıyabilmelerini onaylamak içindir. Bu modeller aşağıdaki Direktif ve ilgili Standartlarla uyumludur



QVSP EU Owner's Manual

en	Directive: 2006/42/EC	hu	Irányelv: 2006/42/EC	pt	Diretiva: 2006/42/EC
bg	Директива: 2006/42/EC	el	Οδηγία: 2006/42/EC	ru	Директива: 2006/42/EC
cs	Směrnice č. 2006/42/EC	hr	Direktiva: 2006/42/EC	ro	Directiva: 2006/42/EC
da	Direktiv: 2006/42/EF	it	Direttiva: 2006/42/EF	sl	Direktiva: 2006/42/EF
de	Richtlinie: 2006/42/EG	lt	Direktyva: 2006/42/EG	sk	Smernica: 2006/42/EG
es	Directriz: 2006/42/EC	lv	Direktīva: 2006/42/EC	sv	Direktiv: 2006/42/EC
et	Direktiiviga: 2006/42/EÜ	nl	Richtlijn: 2006/42/EU	tr	Direktif: 2006/42/EU
fi	Direktiivi: 2006/42/CE	no	Direktiv: 2006/42/EC		
fr	Directives: 2006/42/CE	pl	Dyrektywy: 2006/42/CE		

en Model	Guaranteed Sound Power Level	Measured Sound Power Level	Sound Pressure Level at Operator's Ear (1)	Engine Net Power	Hand/Arm Vibration (2)	Mass
bg Model	Гарантирано ниво на звука	Измерено ниво на звука	Налагане на звука, измерено на нивото на ухото на оператора (1)	Мощност на двигателя	Вибрация на дланта и на ръката (2)	Маса
cs Model	Garantovaná hladina akustického výkonu	Změřená hladina akustického výkonu	Hladina akustického tlaku naměřená u ucha obsluhující osoby (1)	Užitečný výkon motoru	Vibrace rukou/paží (2)	Váha
da Model	Garanteret støjriveau	Målt støjriveau	Lydtryksniveau ved brugerens øre (1)	Maskine Netto kraft	Vibration af hånd/arm (2)	Vægt
de Modell	Garantierter Schalleistungspegel	Gemessener Schalleistungspegel	Schalldruckpegel am Ohr der Bedienungsperson (1)	Motor Nettoleistung	Vibrationen an Hand/Arm (2)	Masse
es Modelo	Nivel garantizado de potencia acústica	Nivel medido de potencia acústica	Nivel de presión acústica en el oído del operador (1)	Potencia neta del motor	Vibración mano / brazo (2)	Masa
et Model	Garanteeritud helivõimsuse tase	Mõõdetud helivõimsuse tase	Heliirõhu tase kasutaja kõrvna juures (1)	Masin puhas töötav	Võkumine käsi / käsivars (2)	Massi
fi Malli	Taattu äänitehotaso	Mitattu äänitehotaso	Äänepaine taso käyttäjän korvan tasolla (1)	Moottorin nettoteho	Käden/käsivarren värinä (2)	Paino
fr Modèle	Niveau de bruit garanti	Niveau de bruit mesuré	Niveau sonore au niveau de l'oreille de l'opérateur (1)	Puissance nette du moteur	Vibrations au niveau de la main/du bras (2)	Masse
el Μοντέλο	Εγγυημένη στάθμη ηχητικής ισχύος	Μετρηθείσα στάθμη ηχητικής ισχύος	Στάθμη ηχητικής πίεσης στο αυτί του χειριστή (1)	Καθαρή ισχύς κινητήρα	Χειροβραχιονική δόνηση (2)	Μάζα
hu Model	Garantált hangteljesítmény szint	Mért hangteljesítmény szint	Hangnyomás szint a gépkezelő fülénél (1)	Motor hasznos teljesítménye	Kéz/kar vibráció (2)	Tömeg
hr Model	Zajamčena razina snage zvuka	Izmerjena razina snage zvuka	Razina zvučnog tlaka na uhu rukovatelja (1)	Neto snaga motora	Vibracije šake/ruke (2)	Masa
it Modello	Livello acustico garantito	Livello acustico misurato	Livello di pressione acustica all'orecchio dell'operatore (1)	Potenza netta motore	Vibrazioni a mani/braccia (2)	Massa
lt Modelis	Garantuotas triukšmo lygis	Pamatuotas triukšmo lygis	Garso spaudimo lygis įrangos naudotojui (1)	Variklio bendras galingumas	Rankenos vibracija (2)	Masė
lv Modelis	Garantētais skaņas jaudas līmenis	Izmērītais skaņas jaudas līmenis	Skaņas spiediena līmenis pie operatora auss (1)	Dzināja neto jauda	Rokas/pleca vibrācija (2)	Masa
nl Model	Gegarandeerd geluidsdrukniveau	Gemeten geluidsdrukniveau	Geluidsdrukniveau bij het oor van de gebruiker (1)	Netto motorvermogen	Trilling van hand/arm (2)	Mass
no Modell	Garantert lydstyrkenivå	Målt lydstyrkenivå	Lydtrykk-nivå ved operatørens øre (1)	Motorens netto krefter	Hånd/arm-vibrasjon (2)	Masse
pl Model	Gwarantowany poziom mocy akustycznej	Zmierzony poziom mocy akustycznej	Poziom ciśnienia akustycznego w uchu operatora (1)	Moc netto silnika	Drgania ręki/ramienia (2)	Masa
pt Modelo	Nível de potência de som garantido	Nível de potência de som medido	Níveis de pressão do som no ouvido do operador (1)	Potência útil do motor	Vibração no mão/braço (2)	Massa
ro Model	Nivel de zgomot garantat	Nivel de zgomot măsurat	Nivel de presiune acustică la urechea operatorului (1)	Putere netă motor	Vibraje mână/braț (2)	Masă
ru Модель	Гарантированный уровень звуковой мощности	Измеренный уровень звуковой мощности	Уровень звукового давления на месте оператора (1)	Полезная мощность двигателя	Интенсивность вибрации на ладони/руках (2)	Вес
sl Model	Zajamčena raven zvočne moči	Izmerjena raven zvočne moči	Raven zvočnega tlaka pri užesu uporabnika (1)	Izhodna moč motorja	Tresljaji na rokah (2)	Masa
sk Model	Zaručená hladina akustického výkonu	Nameraná hladina akustického výkonu	Hladina akustického tlaku pôsobiaceho na ucho obsluhy (1)	čistý výkon motoru	Ruka/Rameno Vibrácia (2)	Masa
sv Modell	Garanterad ljudeffektivitet	Uppmätt ljudeffektivitet	Ljudtrycksnivå vid operatörens öra (1)	Motoreffekt netto	Hand-/armvibrationer (2)	Massa
tr Model	Garantili Ses Gücü Seviyesi	Ölçülen Ses Gücü Seviyesi	Operatörün Kulakındaki Ses Basınç Seviyesi (1)	Makine Net Gücü	El/Kol Titreşimi (2)	Ağırlık
QV550	98 dB(A)	97 dB(A)	77 dB(A)	4.1 kW	4.64 m/s ²	81.6 kg
QV550EU	98 dB(A)	97 dB(A)	77 dB(A)	4.1 kW	4.64 m/s ²	81.6 kg
QV550HSP	100 dB(A)	99 dB(A)	79 dB(A)	4.1 kW	3.73 m/s ²	102.5 kg
QV550HSPEU	100 dB(A)	99 dB(A)	79 dB(A)	4.1 kW	3.73 m/s ²	102.5 kg
QV550H	98 dB(A)	97 dB(A)	77 dB(A)	4.1 kW	4.64 m/s ²	73.4 kg
QV550HEU	98 dB(A)	97 dB(A)	77 dB(A)	4.1 kW	4.64 m/s ²	73.4 kg
QV900HSP	105 dB(A)	104 dB(A)	84 dB(A)	6.6 kW	4.65 m/s ²	112.5 kg
QV900HSPEU	104 dB(A)	103 dB(A)	83 dB(A)	6.6 kW	4.65 m/s ²	112.5 kg



QVSP EU Owner's Manual

- (1) ISO 5395-1:2013 F.7 (EN 4871:1996)
(2) ISO 5395-1:2013 G.8 (EN 12096:1997, D.1)

en Manufacturing Place / Keeper of Documentation bg Място на производство / Архивар cs Místo výroby / Držitel dokumentace da Fremstillingssted / Indehaver af dokumentationen de Herstellungsort / Verantwortlicher für die Dokumentation es Lugar de manufactura / Guardián de documentación et Valmistamispaik / Dokumentatsiooni hoidja fi Valmistuspaikka / Asiakirjojen haltija fr Lieu de fabrication / Personne chargée de conserver la documentation	el Τόπος κατασκευής / Υπεύθυνος τήρησης αρχείων τεκμηρίωσης hu Gyártás helye / A dokumentáció őrzője hr Mjesto proizvodnje / Čuvar dokumentacije it Sede di produzione / Archiviatore di documentazione lt Pagaminimo vieta / Dokumentacijos turėtojas lv Ražošanas vieta / Dokumentācijas glabātājs nl Productieplaats / Documentatiebeheerder no Produksjonssted / Dokumentasjonsholder	pl Miejsce produkcji / Osoba odpowiedzialna za przechowywanie dokumentów pt Local de Fabrico / Responsável pela Documentação ro Loc de fabricație / Păstrător documentație ru Место производства / Владелец документации sl Kraj izdelave / Hranitelj dokumentacije sk Miesto výroby / Dokumentácia majiteľa sv Tillverkningsplats / Dokumentförvaring tr Üretim Yeri / Doküman Sorumlusu
--	--	--

1803 S.W. Jefferson
Lees Summit, MO 64063-
0308 USA

Jeroen Engelen
Schepersweg 4a 6049CV
Herten, NL

Ted Melin
Engineering Manager

Part No. 831503
Revision: F102715A

10/05/2015



Manuel de l'Utilisateur QVSPEU



Image montrée avec accessoires optionnels

ASPIRATEUR QVSPEU Manuel de l'Utilisateur QV550HSPEU, QV900HSPEU

Accessoires

Sacs de débris et Filtre

POIGNEE REGLABLE	KIT TUYAU D'ASPIRATEUR	JUPE DE SAC A DEBRIS	FREIN DE RETENUE	SAC A DEBRIS STANDARD	FILTRE DE CAPOT	CHAUSSETTE A POUSSIERES ET A DEBRIS
Permet la poignée pour relever ou abaisser pour le confort.	Tuyau souple de 5" (127mm) x 10' (3m) pour passer l'aspirateur dans des endroits difficiles à atteindre	Dirige la poussière loin de l'opérateur.	Bloque les roues arrière pour éviter le roulage en roue libre.	Standard sur les modèles QV. Pour des conditions poussiéreuses.	Elimine les poussières de l'échappement d'aspirateur par filtrage.	Piège la poussière et l'éloigne de l'opérateur.
N/P 831614	N/P 831018	N/P 831268	N/P 831609	N/P 831613	N/P 831226	N/P 831282



QVSPEU Owner's Manual

CONTENU

CARACTERISTIQUES TECHNIQUES ET SON / VIBRATION _____	3
ETIQUETTES D'INSTRUCTION _____	4
LISTE DE CONTROLE D'EMBALLAGE ET ASSEMBLAGE _____	5
FONCTIONNEMENT ET ENTRETIEN DE SAC _____	6-7
MAINTENANCE ET DÉPANNAGE _____	8-9
PIÈCES ILLUSTRÉES ET LISTES DE PIÈCES _____	10-14



CARACTÉRISTIQUES TECHNIQUES

	QV550HSPEU	QV900HSPEU
HP	5,5 (4,1 kW)	9,0 HP (6,6kW)
Moteur : Type	GX160T1QX2	GX270K1QA2
Moteur : Capacité des réservoirs carburant	3,88 pte (3,6 L)	6,3 pte (6,0L)
Moteur : Capacité en Huile	0,69 pte (0,65 L)	1,16 pte (1,1L)
Poids Total de l'Appareil :	226# (102,5 kg)	248# (112,5 kg)
Longueur Totale	63 po. (1,6m)	63 po. (1,6m)
Largeur Totale	33 po. (0,84m)	33 po. (0,84m)
Hauteur Totale	51 po. (1,3 m)	51 po. (1,3 m)
Pente de fonctionnement maxi.	20 ⁰	20 ⁰
Son aux oreilles de l'opérateur	79 dBA	84 dBA
Conforme à 2000/14/EEC	99 dBA	104 dBA
Vibration à la position opérateur	0,38g (3,73m/s ²)	0,47g (4,65m/s ²)

SON



NIVEAU DU SON 84 dB(A) à la Position Opérateur

Les essais acoustiques ont été menés en conformité avec la norme 2000/14/CEE, et ont été réalisés le 12/04/12 dans les conditions énumérées ci-dessous.

⚠ Le niveau de puissance acoustique indiqué est le plus élevé pour n'importe quel modèle couvert dans ce manuel. Veuillez vous référer à la plaque signalétique sur l'appareil pour voir le niveau de puissance acoustique de votre modèle.

Conditions générales :	Ensoleillé
Température :	46°F (8°C)
Vitesse du Vent :	13 mph (21 kmh)
Direction du Vent :	Sud Est
Humidité :	55%
Pression Barométrique :	30,15" Hg (766 mm Hg)

DONNEES DE VIBRATION

NIVEAU DE VIBRATION 0,47g (4,65 m/s²)

Les niveaux de vibration au niveau des poignées de l'opérateur ont été mesurés dans les directions verticale, longitudinale et latérale à l'aide d'un équipement d'essai de vibration calibré. Les essais ont été effectués le 12/04/12 dans les conditions énumérées ci-dessous

Conditions générales :	Ensoleillé
Température :	46°F (8°C)
Vitesse du Vent :	13 mph (21 kmh)
Direction du Vent :	Sud Est
Humidité :	55%
Pression Barométrique :	30,15" Hg (766 mm Hg)



QVSPEU Owner's Manual

ETIQUETTES D'INSTRUCTION

Les étiquettes indiquées ci-dessous ont été installées sur votre Aspirateur QVSPEU de BILLY GOAT®. Si des étiquettes sont endommagées ou manquantes, remplacez-les avant de faire fonctionner cet équipement. Les numéros d'articles de la Liste de Pièces Illustrées et les numéros de pièces sont fournis pour faciliter la commande d'étiquettes de rechange. La position correcte pour chaque étiquette peut être déterminée en se référant aux figures et aux numéros d'articles indiqués

ETIQUETTE
AVERTISSEMENT
ARTICLE #35 N/P
831265



ETIQUETTE
PAPILLON DES GAZ
ARTICLE #106 N/P
810656

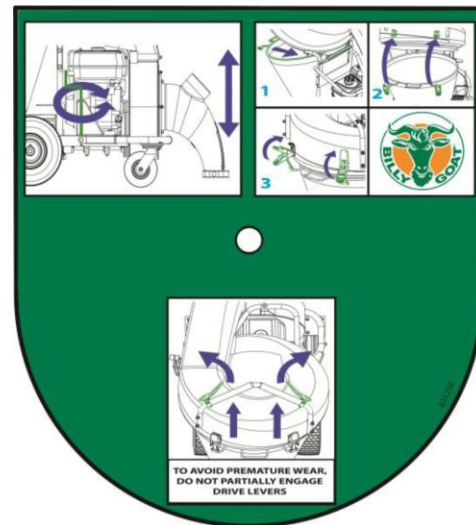


ETIQUETTE MISE EN GARDE
CONTRE DANGER ARTICLE
#106 N/P 900327

ETIQUETTE DIRECTION DE
CONDUITE ARTICLE #38 N/P
831270



INSTRUCTION LABEL
ITEM # 37 P/N 831258



ETIQUETTES MOTEUR

HONDA

■ READ OWNER'S MANUALS BEFORE OPERATION.
■ LIRE LE MANUEL D'UTILISATEUR AVANT USAGE.
■ VOR INBETRIEBNAHME UNBEDINGT
BEDIENUNGSANLEITUNG DURCHLESEN.
■ NO UTILIZAR SIN ANTES NO HABER LEIDO EL MANUAL.



OIL ALERT
■ WHEN OIL LEVEL LOW,
ENGINE STOPS IMMEDIATELY.



QVSPEU Owner's Manual

LISTE DE CONTROLE D'EMBALLAGE

Votre Aspirateur Billy Goat est expédié à partir de l'usine dans un carton, complètement assemblé, à l'exception de la buse.



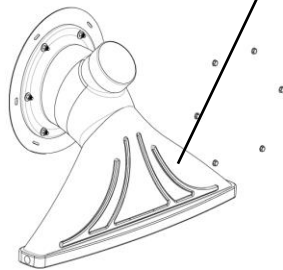
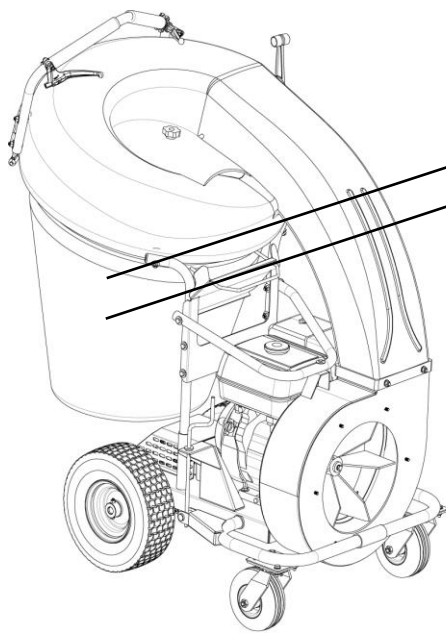
Veillez LIRE toutes les instructions de sécurité avant d'assembler l'appareil.
FAITES ATTENTION quand vous enlevez l'appareil de la boîte



METTEZ DE L'HUILE DANS LE MOTEUR AVANT DE DEMARRER

SAC DE PIECES & DOCUMENTATION D'ASSEMBLAGE

Carte de Garantie N/P - 400972, Manuel de l'Utilisateur N/P-831500, Déclaration de Conformité N/P-831503.
Manuel de Sécurité et de Mises en Garde Général N/P-100294



Liste de Contrôle de Pièces Emballées

- Sac à Débris N/P-831225
- Chaussette à Poussières N/P-
- Buse Avant N/P-831606

- Documentation d'Assemblage N/P-831019

- Honda 9 HP
- Honda 5,5 HP

ASSEMBLAGE

1. Retirez l'appareil de la boîte. Soyez prudent car les câbles pourraient s'accrocher à quelque chose.
2. Attachez la buse avant (article 7) au logement et fixez-la avec les écrous freinés (article 58) situés dans le sac de pièces



FONCTIONNEMENT

FONCTIONNEMENT D'ASPIRATEUR

RÉGLAGE DE HAUTEUR DE BUSE D'ASPIRATEUR : Le réglage se fait en tournant le bouton dans le sens des aiguilles d'une montre pour augmenter la hauteur et dans le sens inverse des aiguilles d'une montre pour la réduire. Réglez la hauteur de buse en fonction des conditions de surface et de la taille des débris. Pour aspirer sur des surfaces planes, réglez la buse de 1/2 po. (12,7 mm) à 5/8 po. (15,8 mm) au dessus du sol. Réglez plus haut pour un terrain et un gazon irréguliers.

POUR RAMASSAGE MAXIMUM: Réglez la buse près des débris, mais sans bloquer le flux d'air rentrant dans la buse. **NOTA** : Ne plongez jamais la buse dans les débris.



DEBOUCHER UNE BUSE & UN ECHAPPEMENT BOUCHES : Eteignez le moteur et attendez que l'impulseur s'arrête complètement et débranchez le fil de bougie. En portant des gants durables, retirez l'obstruction.

DANGER, l'obstruction peut contenir des objets tranchants. Rebranchez le fil de bougie.

SAC A DEBRIS

Les sacs à débris sont des articles d'usure normaux remplaçables.

NOTA : Videz souvent les débris pour éviter de surcharger le sac avec plus de poids que vous ne pouvez soulever. Utilisez la jupe à poussières lorsque les débris seront aspirés dans des conditions poussiéreuses.

NE PLACEZ PAS le sac sur ou à proximité d'une surface chaude, comme le moteur. Faites tourner le moteur à mi-vitesse pendant la première demi-heure pour conditionner le nouveau sac. Votre nouveau sac nécessite une période d'adaptation pour conditionner les pores du matériau contre des obstructions prématurées. Toute la surface du sac sert de filtre, et doit être capable de respirer pour avoir une bonne performance d'aspiration. Assurez-vous que le moteur s'est complètement arrêté avant de retirer ou de vider le sac.

FILTRE DE CAPOT

Les filtres de CAPOT sont des articles d'usure normaux remplaçables. Le filtre de capot doit être utilisé uniquement dans des conditions poussiéreuses et sèches. Le filtre NE DOIT PAS être mouillé. Nettoyez uniquement avec un petit peu d'air comprimé.

CHAUSSETTE A POUSSIÈRES

Les chaussettes à poussières sont des articles d'usure normaux remplaçables. Voir à la page suivante pour l'entretien de chaussette à poussières.

Cet aspirateur est conçu pour ramasser des ordures, des matières organiques et d'autres débris similaires.

Cependant, de nombreux aspirateurs sont utilisés là où des poussières sont mélangées avec des ordures. Votre appareil peut aspirer par intermittence dans des endroits poussiéreux. La poussière est la plus grande cause de performance affaiblie d'aspiration. Toutefois, ces règles permettront à votre machine de maintenir sa capacité d'aspirer dans des conditions poussiéreuses :

- Faites tourner le moteur du régime au ralenti à un quart de vitesse.
- Le sac de débris doit être nettoyé plus souvent. Un aspirateur avec un sac doux et propre aura des bonnes performances de ramassage. Un aspirateur avec un sac sale et plein aura de mauvaises performances de ramassage. S'il est sale, videz les débris et secouez vigoureusement le sac pour enlever les poussières. Le fait d'avoir un ou plusieurs sacs de débris de rechange est une bonne façon de réduire les temps d'arrêt pendant que les sacs sales sont nettoyés. **NE LAISSEZ PAS** de débris dans le sac pendant le stockage.

PROPULSION

D'abord, réglez le levier de marche avant ou de marche arrière dans la position souhaitée. (Le fait d'avoir le levier à la verticale mettra l'appareil en position de point mort). Pour conduire en ligne droite appuyez sur les deux leviers, pour tourner à droite, appuyez uniquement sur le levier de droite, et pour tourner à gauche, appuyez sur le levier de gauche. Quand vous n'appuyez sur aucun levier, l'appareil roule en roue libre. N'embrayez pas partiellement la transmission quand vous embrayez les leviers. Les leviers doivent être complètement embrayés. Une utilisation prolongée de l'embayage partiel pourrait provoquer des dommages internes à la transmission.



QVSPEU Owner's Manual

SOINS ET ENTRETIEN DE CHAUSSETTE A POUSSIÈRES

Objet : La chaussette à poussière agit comme un filtre secondaire diminuant la quantité de poussières qui s'échappe du sac.

Les chaussettes à poussières doivent être **UNIQUEMENT** utilisées dans des conditions sèches et poussiéreuses. Le fait d'utiliser la chaussette à poussières dans des conditions humides ou mouillées risque d'endommager la chaussette à poussières et de diminuer l'efficacité du filtre.

La chaussette à poussières peut être installée par simple fixation de bandes Velcro d'accouplement entre le sac et la chaussette à poussières. Au fil du temps, la chaussette à poussières commencera à se remplir de poussières pendant l'utilisation. Retirez périodiquement la chaussette à poussières, videz la poussière lâche et nettoyez la chaussette. Pour un nettoyage léger, il suffit de secouer la chaussette, et pour un nettoyage en profondeur, voir ci-dessous. Pour retirer la chaussette, il suffit de séparer la bande Velcro.



Informations pour Soins de Chaussette à Poussières



NE COGNEZ PAS LE SAC CONTRE D'AUTRES OBJETS



N'ACCROCHEZ LE SAC CONTRE RIEN



NETTOYEZ DELICATEMENT UNIQUEMENT AVEC DE L'AIR COMPRIE, DE L'EXTERIEUR. GARDEZ LA BUSE A 6-12 POUCES DU TISSU.



NE MOUILLER RIEN

Les chaussettes à poussières sont des articles d'usure normaux remplaçables. Pièce de Rechange N/P - 831282



ENTRETIEN

Entretien Périodique

Un entretien périodique doit être effectué aux intervalles suivants :

Opération d'Entretien	Chaque Utilisation (tous les jours)	Toutes les 5 heures (tous les jours)	Toutes les 10 heures	Toutes les 25 heures	Toutes les 50 heures
Vérifiez s'il y a des pièces lâches, usées ou endommagées.		●			
Nettoyez le sac de débris	●				
Vérifiez la pression des pneus	●			●	
Moteur (Voir Manuel Moteur)					
Vérifiez pour voir s'il y a des vibrations excessives		●			
Vérifiez la courroie					●
Graissez les embouts de graissage					●

Graissez : Roues, Roulettes, et Paliers.

Pression de gonflage : Vérifiez à intervalles réguliers et maintenez à: Pneus arrière de 13" SP à 20 psi. (137,9 kPa).

ENLEVEMENT D'IMPULSEUR

1. Débranchez le fil de bougie.
2. Fixez bien l'appareil pour l'empêcher de bouger.
3. Retirez la buse (article 7) du logement, puis retirez la plaque à laquelle elle était attachée (article 30).
4. Faites glisser la courroie (article 22) hors de la poulie inférieure (article 23), puis faites-la glisser hors de la rainure d'impulseur. Si vous ne pouvez pas la faire glisser de la poulie inférieure, desserrez les paliers (article 24) sur la face inférieure, ce qui permettra un petit peu plus de jeu dans la poulie.
5. Faites glisser la courroie hors de la gorge de courroie dans la poulie d'entraînement de moyeu d'impulseur.
6. Retirez le boulon et la rondelle frein d'impulseur.
7. Si l'impulseur glisse librement, procédez à (étape 12). **(Ne faites pas tomber l'impulseur).**
8. Si l'impulseur ne glisse pas hors du vilebrequin, placez deux pieds-de-biche entre l'impulseur et le logement sur les côtés opposés. Soulevez l'impulseur du moteur jusqu'à ce qu'il se desserre. *L'utilisation d'une huile pénétrante peut aider à dégager un impulseur coincé.*
9. Faites glisser l'impulseur hors du vilebrequin et retirez l'impulseur du logement.
10. Réinstallez le nouvel impulseur, le nouveau boulon et la nouvelle rondelle frein d'impulseur dans l'ordre inverse d'enlèvement. *(Voir le dessin des pièces sur les pages 10-13 pour la décomposition des pièces et la liste des pièces à la page 11 pour les caractéristiques techniques de couple de serrage d'impulseur appropriées.)*
11. Lorsque l'impulseur est installé, faites glisser la courroie dans la rainure sur le moyeu et renfilez-la sur la poulie inférieure. Resserrez les paliers s'ils ont été desserrés.
12. Réattachez la plaque de la buse et la buse dans l'ordre inverse d'enlèvement.
13. Rebranchez le fil de bougie.
14. Vérifiez que tout marche bien.

ENTRAINEMENT

Les courroies sont des articles d'usure normaux remplaçables.

Remplacement de Courroie :

1. Suivez les étapes 1-9 dans la section d'enlèvement d'impulseur. L'impulseur devra être retiré pour remplacer la courroie
2. Desserrez les vis de pression sur la poulie à l'extrémité de l'arbre. Cela permettra à la poulie de se glisser hors du chemin de la courroie. Faites glisser la vieille courroie de la poulie.
3. Retirez la vieille courroie en la faisant passer à travers le logement et remplacez-la par la nouvelle courroie, en



QVSPEU Owner's Manual

prenant soin d'enfiler la courroie autour de la poulie inférieure.

4. Installez l'impulseur et assurez-vous que la courroie est dans la rainure sur le moyeu. Utilisez du nouveau matériel pour attacher l'impulseur. **NE REUTILISEZ PAS** les vieux boulons d'impulseur.
5. Alignez la poulie de sorte que la courroie défilera en ligne droite, puis serrez les vis de pression. **NOTA** : assurez-vous que la clavette dans la poulie inférieure est toujours en place et n'est pas tombée.
6. Réattachez la plaque de la buse et la buse dans l'ordre inverse d'enlèvement.
7. Rebranchez le fil de bougie.
8. Vérifiez que tout marche bien.

REGLAGE DU CABLE DE COMMANDE

1. Débranchez le fil de bougie.
2. Retirez le sac (article 5) et le couvercle de transmission (article 21), ce qui permettra aux bras de levier de commande de transmission d'être visibles.
3. Desserrez les deux écrous sur le tourillon du câble entrant dans les leviers de commande.
4. La tension sur le levier de commande est réduite lorsque le tourillon du câble est déplacé vers le haut vers le levier et la tension est augmentée lorsque le tourillon est déplacé plus loin du levier. **NOTA** : Si vous déplacez le tourillon de trop dans les deux sens, cela provoquera l'embrayage constant ou le non embrayage du levier de commande.
5. Lorsque vous embrayez les leviers de commande, vérifiez la transmission exposée pour vous assurer que les bras s'embrayent bien et retournent à une position débrayée.
6. Remettez le couvercle de transmission et le sac.
7. Rebranchez le fil de bougie.
8. Vérifiez que tout marche bien.

DÉPANNAGE

Problème	Cause Possible	Solution
Vibration anormale.	- Impulseur lâche ou balourd ou moteur lâche	- Vérifiez l'impulseur et remplacez si nécessaire. Vérifiez le moteur
N'aspire pas ou aspire très peu	- sac de débris sale. La hauteur de buse est réglée trop élevée ou trop basse. Bouchon de kit de tuyau manquant. Buse ou échappement bouché. Quantité excessive de débris.	- Nettoyez le sac de débris. Secouez le sac jusqu'à ce qu'il soit propre ou lavez. Réglez la hauteur de la buse. Vérifiez s'il y a le bouchon de kit de tuyau. Débouchez la buse ou l'échappement. Permettez à de l'air de passer avec les débris
Le moteur ne démarre pas.	- Le bouton d'arrêt d'urgence est désactivé. Le papillon des gaz est dans la position off. Le moteur n'est pas en position de starter complet. Il n'y a plus d'essence. Mauvaise essence ou vieille essence. Le fil de bougie est débranché. Filtre à air sale. Huile basse (honda seulement)	- Vérifiez les boutons d'arrêt d'urgence, le papillon des gaz, la position de starter et l'essence. Branchez le fil de bougie. Nettoyez ou remplacez le filtre à air. Ou contactez un technicien qualifié.
Le moteur est bloqué, ne s'arrête pas.	- Des débris sont coincés dans l'impulseur. Problème moteur.	- Voir page 6. Contactez un distributeur de service moteur pour des problèmes de moteur
La buse racle le sol au réglage de hauteur le plus bas.	Hauteur de buse déréglée	Réglez la hauteur de buse (Voir le bon réglage de hauteur de buse pour des surfaces dures à la page 6
Aucune auto-propulsion	Transmission non en prise. Les leviers de commande ne s'embrayent pas. Courroie usée, cassée, ou mal positionnée. Les ressorts de rappel sur la transmission sont cassés	Vérifiez la sélection de prise marche avant/marche arrière. Vérifiez le réglage de câble de levier de commande et la courroie. Vérifiez les ressorts de rappel sur la transmission
L'entraînement d'auto-propulsion ne se débraye pas	Les leviers de commande sont réglés trop serrés et maintiennent la transmission embrayée	Réglez les tourillons sur les leviers de commande pour réduire la tension sur la transmission.



Bild mit optionalen Ersatzteilen wird angezeigt

QVSPEU SAUGER Benutzerhandbuch QV550HSPEU, QV900HSPEU

Ersatzteile

Gartenabfallbeutel und Filter

VERSTELL- BAREN GRIFF	ABSAUGSCHLAUC H SET	GARTENABFALL BEUTEL RAHMEN	PARK BREMSE	STANDARD GARTENABFALL BEUTEL	ABZUGSFILTER	GARTENABFALL - UND STAUBSACK
Ermöglicht das handle angehoben oder gesenkt für Komfort.	5" (127mm) x 10" (3m) zusammenrollbarer Schlauch zum Saugen in schwer erreichbaren Bereichen.	Der Staub wird vom Bediener weg geleitet.	Verriegelung der hinteren Räder damit der Freilauf verhindert wird.	Standard bei QV Modellen. Unter staubigen Bedingungen.	Filtert den Staub vom Absauger heraus.	Der Staub wird eingefangen und somit vom Bediener fern gehalten.
P/N 831614	P/N 831018	P/N 831268	P/N 831609	P/N 831613	P/N 831226	P/N 831282



QVSPEU Owner's Manual

INHALT

TECHNISCHE DATEN UND GERÄUSCHE/VIBRATIONEN _____	3
ANWEISUNGSSCHILDER _____	4
PRÜFLISTE FÜR VERPACKUNG UND MONTAGE _____	5
BETRIEBS - UND BEUTEL PFLEGE _____	6-7
WARTUNG UND FEHLERSUCHE _____	8-9
ABBILDUNGEN DER TEILE UND TEILELISTE _____	10-14



TECHNISCHE DATEN

	QV550HSPEU	QV900HSPEU
PS	5,5 (4,1 kW)	9,0 PS (6,6kW)
Motor: Typ	GX160T1QX2	GX270K1QA2
Motor: Kraftstoffkapazität	3,6 l (3,88 qt.)	6,0 l (6,3 qt.)
Motor: Ölkapazität	0,65 l (0,69 qt.)	1,1l (1,16 qt.)
Gesamt Stückgewicht:	226# (102,5 kg)	248# (112,5 kg)
Gesamtlänge	63" (1,6m)	63" (1,6m)
Gesamtbreite	33" (0,84m)	33" (0,84m)
Gesamthöhe	51" (1,3 m)	51" (1,3 m)
Max. Betriebsneigung	20 ⁰	20 ⁰
Schall am Ohr des Bedieners	79 dBa	84 dBa
In Übereinstimmung mit 2000/14/EEC	99 dBa	104 dBa
Vibration an der Bedienerposition	0,38g (3,73m/s ²)	0,47g (4,65m/s ²)

SCHALL



SCHALLPEGEL 84 dB(a) an der Position des Operators

104 dB

Es wurden Schalltests in Übereinstimmung mit 2000/14/EEC durchgeführt und diese wurden unter den 4-12-12 Bedingungen ausgeführt, die unten aufgeführt sind.

⚠ Die Schallpegelstärke ist der höchste Wert für jedes Modell, der für jedes Modell, das in diesem Handbuch aufgeführt wird, abgedeckt wird. Bitte schauen Sie auf dem Typenschild nach der Schallpegelkraft Ihres Modells nach.

Allgemeine Bedingungen:	Sonnig
Temperatur:	46°F (8°C)
Windgeschwindigkeit:	21 km/h (13 mph)
Windrichtung:	Südost
Feuchtigkeit:	55%
Luftdruck:	766 mm Hg (30,15" Hg)

VIBRATIONSDATEN

VIBRATIONSPEGEL 0,47g (4,65 m/s²)

Vibrationspegel an den Bedienerhandgriffen wurden in den vertikalen, seitlichen und Längsrichtungen gemessen, indem geeichte Testgeräte verwendet wurden. Die Tests wurden auf der Basis 4-12-12 unter den unten aufgelisteten Bedingungen ausgeführt

Allgemeine Bedingungen:	Sonnig
Temperatur:	46°F (8°C)
Windgeschwindigkeit:	21 km/h (13 mph)
Windrichtung:	Südost
Feuchtigkeit:	55%
Luftdruck:	766 mm Hg (30,15" Hg)



QVSPEU Owner's Manual

ANWEISUNGSSCHILDER

Die Schilder, die unten aufgeführt werden, wurden auf Ihrem BILLY GOAT® QVSPEU Sauger angebracht. Falls irgendwelche Schilder beschädigt oder vermisst werden, ersetzen Sie diese, bevor dieses Gerät bedient wird. Artikelnummern von den Abbildungen auf der Teileliste und Teilenummern werden zu Ihrer Bequemlichkeit bereitgestellt, wenn Sie die Ersatzschilder bestellen. Die richtige Position für jedes Schild kann bestimmt werden, indem Sie auf die Abbildungen und Artikelnummern verweisen, die gezeigt werden.

WARNHINWEIS
ARTIKEL #35 P/N
831265



SCHILD FÜR DROSSEL-ARTIKEL
#106 P/N 810656

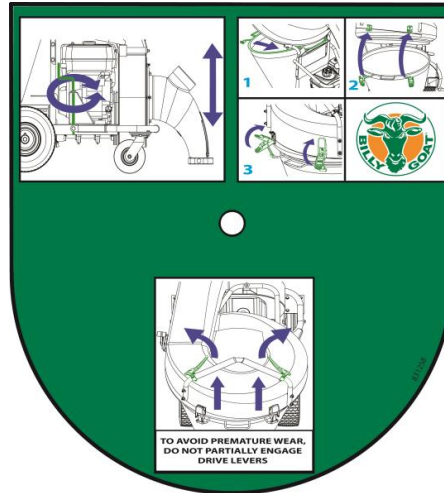


SCHILD FÜR GEFAHR
SCHUTZVORRICHTUNG
ARTIKEL #106 P/N 900327

SCHILD FAHRTRICHTUNG
ARTIKEL # 38 P/N 831270



INSTRUCTION LABEL
ITEM # 37 P/N 831258



MOTORSCHILDER

HONDA

- READ OWNER'S MANUALS BEFORE OPERATION.
- LIRE LE MANUEL D'UTILISATEUR AVANT USAGE.
- VOR INBETRIEBNAHME UNBEDINGT BEDIENUNGSANLEITUNG DURCHLESEN.
- NO UTILIZAR SIN ANTES NO HABER LEIDO EL MANUAL.





VERPACKUNGSPRÜFLISTE

Ihr Billy Goat wird vom Werk in einem Karton versendet und ist, außer der Düse, vollständig zusammengebaut.

LESEN Sie alle Anweisungen, bevor Sie das Gerät zusammenbauen.

VORSICHT beim Herausnehmen der Einheit aus der Kiste.

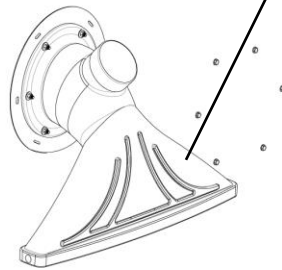
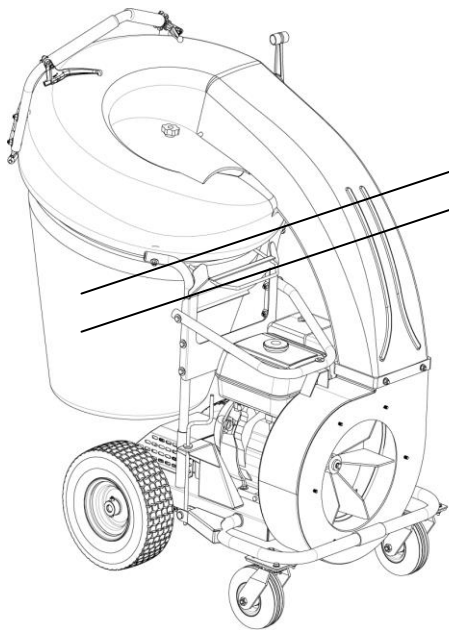


FÜLLEN SIE ÖL IN DEN MOTOR BEVOR SIE BEGINNEN

TEILEBEUTEL UND LITERATUR ÜBER DIE MONTAGE

Garantiekarte P/N- 400972, Bedienerhandbuch P/N-831500, Konformitätserklärung P/N-831503.

Handbuch mit allgemeinen Sicherheits - und Warnhinweisen P/N-100294



Prüfliste für die Teileverpackung

Gartenabfallbeutel P/N-831225

Staubsack P/N-831268

Vorderdüse P/N-831606

Literatur Einheit P/N-831019

Honda 9 PS

Honda 5,5 PS

MONTAGE

1. Entnehmen Sie das Gerät aus der Kiste. Bitte vorsichtig herausnehmen, weil sich die Kabel verhaken könnten.
2. Bringen Sie die Vorderdüse (Artikel 7) am Gehäuse an und sichern Sie diese mit der Kontermutter (Artikel 58) befinden sich in dem Beutel für die Ersatzteile.



BETRIEB

SAUGVORGANG

HÖHENEINSTELLUNG DER SAUGDÜSE: Die Einstellung erfolgt, indem der Knopf im Uhrzeigersinn gedreht wird, um eine größere Höhe zu erreichen und entgegengesetzt dem Uhrzeigersinn, um diese zu verringern. Stellen Sie die Höhe der Düse entsprechend den Oberflächenbedingungen und der Größe der Gartenabfälle ein; Beim Saugen auf flachen Oberflächen, stellen Sie die Düse 1/2" (12,7 mm) bis 5/8" (15,8 mm) über dem Boden ein; Höher bei unebenem Gelände und Rasen.

ZUR MAXIMALEN ÜBERNAHME: Stellen Sie die Düse in der Nähe des Gartenabfalls ein, aber ohne dabei die Luftzufuhr zur Düse zu verhindern. **HINWEIS:** Bitte niemals die Düse in dem Abfall eingraben.



FREISETZEN EINER BLOCKIERTEN DÜSE UND ABSAUGROHR: Schalten Sie den Motor ab und warten Sie, bis das Antriebsrad vollständig anhält und ziehen Sie das Zündkabel heraus. Indem Sie strapazierfähige Handschuhe tragen, entfernen Sie die Blockierung.

GEFAHR, die Blockierung kann scharfe Materialien enthalten. Stecken Sie das Zündkabel erneut ein.

TASCHE FÜR GARTENABFÄLLE

Die Beutel für Gartenabfälle sind normale Verschleißartikel.

HINWEIS: Leeren Sie die Gartenabfälle häufig aus, damit verhindert wird, dass die Tasche mit mehr Gewicht beladen ist, als sie tragen können. Benutzen Sie die Staubschürze, wenn die Gartenabfälle unter staubigen Bedingungen aufgesaugt werden.

STELLEN SIE DIE Tasche NICHT auf heiße Oberflächen oder in die Nähe von heißen Oberflächen, wie z.B. Motoren. Lassen Sie den Motor die erste halbe Stunde bei halb gedrosseltem Motor laufen, damit der neue Beutel angebracht werden kann. Ihr neuer Beutel erfordert eine Einfahrzeit, damit die Poren des Materials an die verfrühte Blockierung angepasst werden. Die gesamte Beuteloberfläche dient als Filter und muss in der Lage sein zu atmen, damit eine gute Saugleistung vorhanden ist. Stellen Sie sicher, dass der Motor zum vollständigen Halt gekommen ist, bevor Sie den Beutel entfernen oder entleeren.

HAUBENFILTER

HAUBEN-Filter sind normal ersetzbare Verschleißartikel.

Die Haubenfilter sind nur für die Nutzung unter trockenen, staubigen Bedingungen gedacht. **MACHEN SIE DEN Filter nicht NASS.** Bitte nur mit leichter Pressluft reinigen.

STAUBSACK

Staubsäcke sind normale ersetzbare Artikel. Zur Pflege der Staubsäcke, schauen Sie auf der nächsten Seite nach.

Dieser Sauger ist gestaltet um Abfall, organisches Material und andere ähnliche Gartenabfälle aufzusaugen.

Jedoch werden viele Sauger benutzt wo Staub mit Abfall vermischt ist. Ihr Gerät kann ununterbrochen in staubigen Bereichen saugen. Staub ist die größte Ursache von verloren gegangener Saugleistung. Wenn Sie jedoch diese Regeln befolgen, wird das dabei helfen, um die Fähigkeit Ihrer Maschine unter staubigen Bedingungen zu saugen, aufrecht zu erhalten:

- Lassen Sie die Maschine im Leerlauf bis viertel Vollgas laufen.
- Der Beutel für den Gartenabfall muss häufiger gereinigt werden. Ein Sauer mit einem saubereren Beutel, weich wie ein Kissen, wird eine gute Aufnahmeleistung haben. Eine mit einem schmutzigen, engen Beutel wird eine schlechte Aufnahmeleistung erreicht. Beim Entleeren von schmutzigen Gartenabfällen schütteln Sie den Beutel solange bis er frei von Staub ist. Wenn Sie einen oder mehrere Ersatz-Gartenabfallbeutel haben, ist das ein guter Weg, um die Ausfallzeit zu verringern, während die schmutzigen Beutel gereinigt werden. **LASSEN SIE KEINE** Gartenabfälle in dem Beutel, während diese gelagert werden.

ANTRIEB

Zuerst stellen Sie den Vorwärts- oder Rückwärtshebel auf die gewünschte Position. (Wenn der Hebel nach oben zeigt, stellen Sie das Gerät in den Neutral-Gang). Um auf einem geraden Pfad zu fahren, drücken Sie auf beide Hebel, um nach rechts zu fahren, drücken Sie nur auf den rechten Hebel und ähnlich um nach links zu fahren, drücken Sie auf den linken Hebel. Wenn keine Hebel gezogen sind, wird das Gerät im Freilauf fahren. Schalten Sie die Übertragung nicht teilweise ein, wenn die Hebel eingerastet sind. Die Hebel müssen vollständig eingerastet sein. Verlängerte Nutzung mit teilweiser Einrastung können interne Schäden bei der Übertragung hervorrufen.



QVSPEU Owner's Manual

STAUBSACK PFLEGE UND WARTUNG

Zweck: Der Staubsack fungiert als zweiter Filter, der die Staubmenge verringert, die der Beutel verliert.

Staubsäcke werden NUR bei trockenen und staubigen Bedingungen verwendet. Wird der Staubsack unter feuchten oder nassen Bedingungen verwendet, kann der Staubsack beschädigt werden und die Leistungsfähigkeit des Filters verringert sich.

Der Staubsack kann installiert werden, indem Sie zwischen den Beutel und den Staubsack einfach Klettband anbringen und diesen hinzufügen. Im Laufe der Zeit beginnt sich der Staubsack, während der Benutzung, mit Staub zu füllen. Entfernen Sie regelmäßig den Staubsack, entleeren Sie den losen Staub und reinigen Sie den Sack. Zur leichten Reinigung schütteln Sie einfach den Sack, zur gründlicheren Reinigung, schauen Sie bitte unten nach. Zur Entfernung des Sacks, entfernen Sie einfach das Klettband.



Pflegeinformationen über den Staubsack:



SCHLAGEN SIE NICHT MIT GEGENSTÄNDEN AUF DEN BEUTEL ODER GEGEN GEGENSTÄNDE

REISSEN SIE NICHT AM BEUTEL



REINIGEN SIE NUR LEICHT VON AUSSEN NACH INNEN MIT PRESSLUFT. HALTEN SIE DIE DÜSE 15,34-30,48 CM (6-12 ZOLL) VOM STOFF ENTFERNT

DARF NICHT NASS

Staubsäcke sind normal ersetzbare Artikel. Ersatz P/N- 831282



Wartung

REGELMÄßIGE WARTUNG

Die regelmäßige Wartung sollte in folgenden Zeitabständen ausgeführt werden:

Wartungsvorgang	Jeder Nutzung (täglich)	Alle 5 Std. (täglich)	Alle 10 Std.	Alle 25 Std.	Alle 50 Std.
Untersuchen Sie, ob lockere, abgenutzte oder beschädigte Teile vorhanden sind.		•			
Reinigen des Gartenabfallbeutels	•				
Prüfen Sie den Reifendruck	•			•	
Motor (Siehe Motor-Bedienungsanleitung)					
Prüfen Sie ob übermäßige Vibrationen vorhanden sind		•			
Überprüfen Sie den Gurt					•
Schmieren der Einspritzvorrichtung					•

Schmierung: Räder, Rollen und Wellenlager.

Reifendruck: Prüfen Sie in regelmäßigen Abständen und führen Sie die Wartung durch: Bereifung Hinterrad SP 13" Reifen bei 1,38 bar (20 Psi). (137,9 kPa).

ANTRIEBSRAD ENTFERNEN

1. Zündkabel abschalten.
2. Sichern Sie das Gerät, damit es sich nicht bewegt.
3. Entfernen Sie die Düse (Artikel 7) vom Gehäuse, dann entfernen Sie die Platte auf der diese befestigt war (Artikel 30).
4. Entfernen Sie den Gurt (Artikel 22) von der unteren Riemenscheibe (Artikel 23) und schieben Sie ihn von der Antriebsradnut. Wenn Sie ihn nicht von der unteren Riemenscheibe herunterschieben können, lockern Sie die Lager (Artikel 24) auf der Unterseite und dadurch ist mehr Spiel an der Riemenscheibe vorhanden.
5. Schieben Sie den Riemen aus der Riemenscheibe im Zentrum der Antriebsrad-Riemenscheibe.
6. Entfernen Sie den Antriebsradbolzen und die Unterlegscheibe.
7. Wenn das Antriebsrad frei herausrutscht, gehen Sie zu (Schritt 12). **(Lassen Sie das Antriebsrad nicht fallen).**
8. Wenn das Antriebsrad nicht aus der Kurbelwelle schieben lässt, platzieren Sie zwei Brecheisen zwischen Antriebsrad und Gehäuse der gegenüberliegenden Seiten. Reißen Sie das Antriebsrad vom Motor weg, bis es sich lockert. *Indem Sie Kriechöl benutzen kann geholfen werden, das blockierte Antriebsrad zu lockern.*
9. Schieben Sie das Antriebsrad aus der Kurbelwelle und entfernen Sie das Antriebsrad aus dem Gehäuse.
10. Installieren Sie das Antriebsrad neu, neuer Antriebsradbolzen und Unterlegscheibe in umgekehrter Reihenfolge wie beim Entfernen. *(Siehe Teilezeichnungen auf den Seiten 10-13 für Teileausfall und Teileliste auf Seite 11 für die entsprechenden Spezifikationen des Antriebsbolzendrehmoments.)*
11. Wenn das Antriebsrad installiert ist, schieben Sie den Riemen zurück in die Nut auf dem Hub und tun sie dieses auf die untere Riemenscheibe. Ziehen Sie die Lager wieder fest, falls diese gelockert wurden.
12. Bringen Sie die Düsenplatte und die Düse in umgekehrter Reihenfolge wie beim Auseinanderbauen wieder an.
13. Stecken Sie das Zündkabel erneut ein.
14. Prüfen Sie bitte, ob alles richtig funktioniert.

ANTRIEB

Riemen sind normale ersetzbare Verschleißartikel.

Riemenaustausch.

1. Folgen Sie den Schritten 1-9 im Abschnitt Antriebsrad. Das Antriebsrad muss entfernt werden, um den Riemen zu ersetzen.
2. Lockern Sie die Einstellschrauben an der Riemenscheibe am Schaftende. Dadurch wird gestattet, dass die Riemenscheibe aus dem Weg des Riemens geschoben werden kann. Schieben Sie den alten Riemen von der Riemenscheibe.



QVSPEU Owner's Manual

3. Entfernen Sie den alten Riemen, indem Sie diesen durch das Gehäuse schieben und diesen mit einem Neuen ersetzen, wobei sichergestellt wird, dass der Riemen unten über die Riemenscheibe geschoben wird.
4. Installieren Sie das Antriebsrad und stellen Sie sicher, dass sich der Riemen in der Nut auf dem Mittelpunkt befindet. Benutzen Sie neue Hardware, um das Antriebsrad anzubringen. VERWENDEN SIE NICHT erneut alte Antriebsschrauben.
5. Richten Sie das Antriebsrad aus, damit der Riemen gerade läuft, dann ziehen Sie die Einstellschrauben fest. *HINWEIS:* Stellen Sie sicher, dass sich der Schlüssel auf der unteren Riemenscheibe befindet und nicht herausgefallen ist.
6. Bringen Sie nun, in umgekehrter Reihenfolge wie beim Auseinanderbauen, die Düsenplatte und die Düse an.
7. Stecken Sie das Zündkabel erneut ein.
8. Prüfen Sie bitte, ob alles richtig funktioniert.

EINSTELLUNG DES ANTRIEBSKABELS

1. Zündkabel abschalten.
2. Entfernen Sie den Beutel (Artikel 5) und die Getriebeabdeckung (Artikel 21) wodurch gestattet ist, dass die Getriebe-Antriebshebelarme sichtbar sind.
3. Lockern Sie zwei Muttern an dem Schraubnippel des Kabels, das zu den Antriebshebeln führt.
4. Spannung am Antriebshebel, wenn der Schraubnippel des Kabels nach oben bewegt wird, in Richtung Hebel und die Spannung wird erhöht wenn die Schraubnippel weiter vom Hebel entfernt wird. *HINWEIS:* Indem der Schraubnippel zu sehr in eine Richtung bewegt wird, führt das dazu, dass der Antriebshebel ständig oder überhaupt nicht einrastet.
5. Wenn die Antriebshebel einrasten, prüfen Sie das freilegende Getriebe, um sicherzustellen, dass die Arme richtig eingerastet sind und ob diese zur nicht eingerasteten Position zurückgehen.
6. Befestigen Sie die Getriebeabdeckung und den Beutel erneut.
7. Stecken Sie das Zündkabel erneut ein.
8. C Heck für richtigen Betrieb.

FEHLERBESEITIGUNG

Problem	Mögliche Ursache	Lösung
Abnormale Vibration.	- Antriebsrad locker oder Unwucht oder Motor locker	- Antriebsrad prüfen und ersetzen falls erforderlich. Motor prüfen
Wird nicht saugen oder besitzt eine geringe Saugleistung	- schmutziger Gartenabfallbeutel. Düsenhöhe zu hoch oder zu niedrig eingestellt Schlauchsatz-Kappe nicht vorhanden. Blockierte Düse oder Abzug. Übermäßige Menge an Gartenabfällen.	- Reinigen Sie den Beutel für die Gartenabfälle Schütteln Sie den Beutel solange bis er sauber ist, oder waschen Sie ihn. Düsenhöhe einstellen. Prüfen Sie die Kappe für den Schlauchsatz. Deblockieren Sie die Düse oder den Abzug. Gestatten Sie das Luft zu den Gartenabfällen vordringt.
Der Motor startet nicht.	- Anhalten ausschalten. Leerlauf in Position "AUS". Motor nicht vollständig in gedrosselter Position. Kein Benzin mehr vorhanden. Schlechtes oder altes Benzin. Kabel der Zündkerze abgeschaltet. Reiniger für schmutzige Luft. Öl gering (nur Honda)	- Prüfen Sie die Stop-Schalter, Leerlauf, Drosselungsposition und Benzin. Zündkerzenkabel anschließen. Luftfilter reinigen oder austauschen. Oder kontaktieren Sie qualifiziertes Kundendienstpersonal.
Der Motor ist blockiert, wird nicht anhalten.	- Gartenabfälle blockieren das Antriebsrad Motor Problem.	- Siehe Seite 6. Bei Problemen mit dem Motor kontaktieren Sie einen Motor-Kundendienst.
Die Düse berührt den Boden bei der Einstellung auf die geringste Höhe.	Düsenhöhe ist verstellt	Stellen Sie die Düsenhöhe ein (Siehe Feineinstellung der Düsenhöhe bei harten Oberflächen auf Seite 6).
Kein Eigenantrieb	Getriebe nicht in Gang. Antriebshebel rasten nicht ein. Abgenutzter, kaputter oder falsch positionierter Riemen. Rückstellfedern am Getriebe beschädigt	Prüfen Sie Auswahl für vorwärts/rückwärts Gang. Prüfen Sie die Kabeleinstellung und den Riemen für den Antriebshebel. Prüfen Sie die Rückstellfedern am Getriebe.
Eigenantrieb wird nicht ausgelöst.	Die Antriebshebel sind zu fest eingestellt und das Getriebe ist eingerastet.	Stellen Sie den Schraubnippel an den Antriebshebeln ein, damit die Spannung am Getriebe verringert wird.



Manual de funcionamiento de QVSPEU



Se muestra la imagen con accesorios opcionales

ASPIRADORA QVSPEU Manual del propietario
QV550HSPEU, QV900HSPEU

Accesorios

Bolsa de los desechos y filtro

MANIJA AJUSTABLE	EQUIPO DE LA MANGUERA DE LA ASPIRADORA	FALDÓN DE LA BOLSA DE LOS DESECHOS	APARCAMIENTO FRENO	BOLSA DE DESECHOS ESTANDAR	FILTRO DEL EXTRACTOR	CALCETÍN DEL POLVO Y LOS DESECHOS
Permite para que la manija se eleva o se baja para mayor comodidad.	5" (127 mm) x 10' (3 m) de manguera plegable para pasar la aspiradora en zonas difíciles de alcanzar	Dirige el polvo lejos del operario.	Bloquea las ruedas traseras para evitar que ruede libremente.	De serie en los modelos QV. Para condiciones de mucho polvo.	Filtra el polvo del escape de la aspiradora.	Atrapa el polvo manteniendolo lejos del operario.
P/N 831614	P/N 831018	P/N 831268	P/N 831609	P/N 831613	P/N 831226	P/N 831282



QVSPEU Owner's Manual

CONTENIDOS

ESPECIFICACIONES Y SONIDO/VIBRACIÓN _____	3
ETIQUETAS DE INSTRUCCIONES _____	4
LISTA DEL EMBALAJE Y LA INSTALACIÓN _____	5
FUNCIONAMIENTO Y CUIDADO DE LA BOLSA _____	6-7
MANTENIMIENTO Y SOLUCIÓN DE PROBLEMAS _____	8-9
LISTADO DE PIEZAS Y PIEZAS ILUSTRADAS _____	10-14



QV SPEU Owner's Manual

ESPECIFICACIONES

	QV550HSPEU	QV900HSPEU
CV	5.5 (4.1 kW)	9.0 CV (6.6kW)
Motor: Tipo	GX160T1QX2	GX270K1QA2
Motor: Capacidad de combustible	3.88 qt. (3.6 L)	6.3 qt. (6.0L)
Motor: Capacidad de aceite	0,78 l. (0,65 L)	1.16 qt. (1.1L)
Peso total de la unidad:	226# (102.5 kg)	112,49kg (112,5 kg)
Longitud total	63" (1.6m)	63" (1.6m)
Anchura total	33" (0,84m)	33" (0,84m)
Altura total	51" (1,3 m)	51" (1,3 m)
Inclinación máxima de funcionamiento	20°	20°
Sonido en los oídos del operario	79 dBa	84 dBa
De acuerdo a 2000/14/EEC	99 dBa	104 dBa
Vibración en la posición del operario	0.38g (3.73m/s ²)	0,47g (4,65m/s ²)

SONIDO



NIVEL DE SONIDO 84 dB(a) en la posición del operario

Las pruebas de sonido se llevaron a cabo en conformidad con 2000/14/EEC, y se realizaron en 4-12-12 bajo las condiciones que se enumeran a continuación.

⚠ El nivel de potencia de sonido que se indica es el valor más alto para cualquier modelo que se cubre en este manual. Por favor, consulte la placa de serie de la unidad para saber el nivel de potencia de sonido de su modelo.

Condiciones generales:	Soleado
Temperatura:	46°F (8°C)
Velocidad de viento:	13 mph (21 kmh)
Dirección del viento:	Sureste
Humedad:	55%
Presión barométrica:	30.15"Hg (766 mm Hg)

DATOS DE LA VIBRACIÓN

NIVEL DE LA VIBRACIÓN 0.47g (4.65 m/s²)

Los niveles de las vibraciones en el mango del operario se midieron en las direcciones verticales, transversales y longitudinales con equipos calibrados para realizar pruebas de vibración. Las pruebas se realizaron en 4-12-12 bajo las condiciones que se muestran a continuación

Condiciones generales:	Soleado
Temperatura:	46°F (8°C)
Velocidad de viento:	13 mph (21 kmh)
Dirección del viento:	Sureste
Humedad:	55%
Presión barométrica:	30.15"Hg (766 mm Hg)



QVSPEU Owner's Manual

ETIQUETAS DE INSTRUCCIONES

Las etiquetas que aparecen a continuación fueron instaladas en la aspiradora BILLY GOAT® QVSPEU. Si falta alguna etiqueta o está dañada, sustitúyala antes de operar este equipo. El número de los artículos de la Lista de piezas ilustradas y los números de las piezas se suministran para su conveniencia en las etiquetas de reemplazo de pedido. Se puede determinar la posición correcta para cada etiqueta consultando la figura y los números del artículo que se muestra

ETIQUETA DE ADVERTENCIA
ARTÍCULO #35 P/N
831265



ETIQUETA DEL REGULADOR
ARTÍCULO #106 P/N
810656

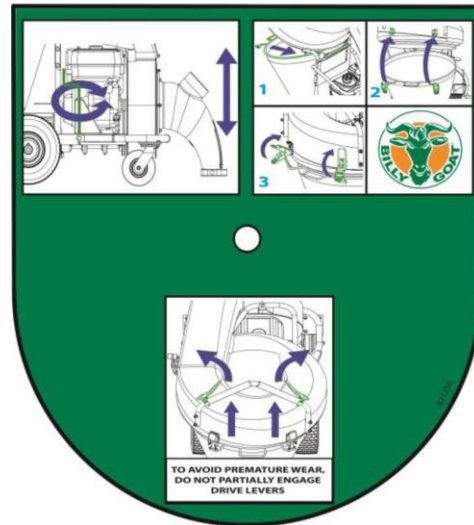


ETIQUETA DE PELIGRO
GUARDIAS ARTÍCULO #106
P/N 900327

ETIQUETA DE DIRECCIÓN DE CONDUCCIÓN ARTÍCULO #38
P/N 831270



INSTRUCTION LABEL
ITEM # 37 P/N 831258



ETIQUETAS DEL MOTOR

HONDA

- READ OWNER'S MANUALS BEFORE OPERATION.
- LIRE LE MANUEL D'UTILISATEUR AVANT USAGE.
- VOR INBETRIEBNAHME UNBEDINGT BEDIENUNGSANLEITUNG DURCHLESEN.
- NO UTILIZAR SIN ANTES NO HABER LEIDO EL MANUAL.





QVSPEU Owner's Manual

LISTA DE EMBALAJE

Su Billy Goat se envía desde la fábrica en una caja de cartón, completamente montado a excepción de la boquilla.



LEA todas las instrucciones de seguridad antes de montar la unidad.

TENGA CUIDADO cuando saque la unidad de la caja

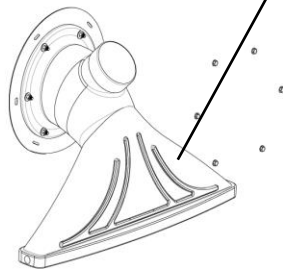
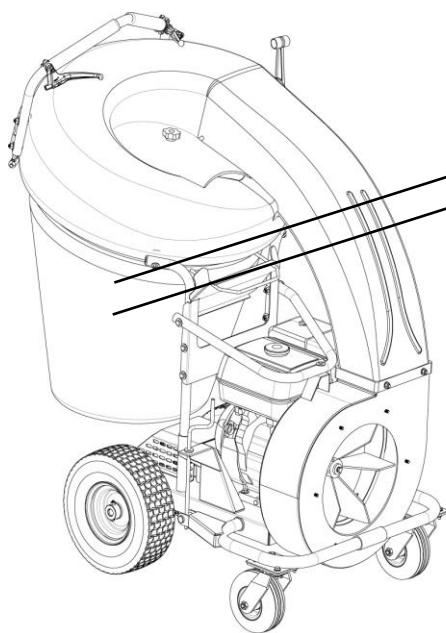


PONER ACEITE EN EL MOTOR ANTES DE SU PUESTA EN MARCHA

BOLSA DE PIEZAS Y LITERATURA DE LA INSTALACIÓN

Tarjeta de garantía P/N- 400972, Manual del operario P/N-831500, Declaración de conformidad P/N-831503.

Manual de advertencias y seguridad general P/N-100294



Lista piezas del embalaje

- Bolsa de desechos P/N-831225
- Calcetín del polvo P/N-831268

Boquilla frontal P/N-831606

Literatura de la instalación
P/N-831019

Honda 9 HP

Honda 5,5 HP

INSTALACIÓN

1. Retire la unidad de la caja. Tenga cuidado ya que los cables podrían engancharse.
2. Coloque la boquilla frontal (artículo 7) a la caja y fijarlo con las tuercas (artículo 58) de presión que se encuentran en la bolsa de piezas.



FUNCIONAMIENTO

FUNCIONAMIENTO DE LA ASPIRADORA

AJUSTE DE LA ALTURA DE LA BOQUILLA DE LA ASPIRADORA: ISe ajusta girando el pomo, hacia la derecha aumenta la altura y hacia la izquierda disminuye. Ajuste la altura de la boquilla en función de las condiciones de la superficie y el tamaño de los desechos; Para aspirar sobre superficies planas, ajuste la boquilla 1/2" (12,7 mm) a 5/8" (15,8 mm) por encima del suelo; Más alta para terrenos irregulares y césped.

PARA UNA MÁXIMA RECOLECCIÓN: Ajuste la boquilla cerca de los desechos, pero sin bloquear el flujo de aire en la boquilla.
NOTA: No entierre nunca la boquilla en los desechos.



LIMPIEZA DE UNA BOQUILLA Y ESCAPE OBSTRUIDA: Apague el motor y espere a que el rotor se detenga completamente y desconecte el cable de la bujía. Utilizando guantes duraderos, retire la obstrucción.

PELIGRO, la obstrucción puede contener materiales afilados o punzantes. Vuelva a conectar el cable de la bujía.

BOLSA DE LOS DESECHOS

Las bolsas de los desechos son artículos de desgaste que se reemplazan normalmente.

NOTA: Vacíe los desechos con frecuencia para evitar sobrecargar la bolsa con más peso del que puede levantar. Utilice el faldón de polvo cuando tenga que aspirar desechos en condiciones de mucho polvo.

NO coloque la bolsa en o cerca de una superficie caliente, como por ejemplo un motor. Haga funcionar el motor con el regulador a 1/2 durante la primera media hora para acondicionar la bolsa nueva. Su nueva bolsa necesita un período de rodaje para acondicionar los poros del material y así evitar un bloqueo prematuro. Toda la superficie de la bolsa sirve como un filtro, y debe poder respirar para que tenga un buen de rendimiento. Asegúrese de que el motor se ha detenido por completo antes de extraer o vaciar la bolsa..

FILTRO DEL EXTRACTOR

LOS FILTROS del extractor son artículos de desgaste que se reemplazan normalmente.

El filtro del extractor se utiliza solamente en condiciones secas de mucho polvo. NO humedecer el filtro. Limpiar con aire comprimido ligero solamente.

CALCETÍN DEL POLVO

Los calcetines de polvo son artículos de desgaste que se reemplazan normalmente.

Vea los cuidados del calcetín del polvo en la página siguiente.

Esta aspiradora esta diseñada para recolectar basura, material orgánico y otros desechos similares.

Sin embargo, cuando el polvo se mezcla con la basura se utilizan muchas aspiradoras. Su unidad puede aspirar de forma intermitente en zonas de mucho polvo. El polvo es la mayor causa de perdida de rendimiento de la aspiradora. Sin embargo, el seguir estas reglas le ayudará a mantener la capacidad de su máquina para aspirar en condiciones de mucho polvo:

- Haga funcionar la máquina al ralentí a un cuarto del regulador.
- La bolsa de desechos se debe limpiar con más frecuencia. Una aspiradora con una bolsa de almohada suave y limpia, tendrá un buen rendimiento de recolección. Una con una bolsa sucia y apretada tendrá un mal rendimiento de recolección. Si esta sucia, vacíe y agite con fuerza la bolsa para liberarla de polvo. El tener una o más bolsas de desechos de repuesto es una buena manera de reducir el tiempo de inactividad mientras se limpian las bolsas sucias. **NO** deje desechos en la bolsa mientras están guardadas.

PROPULSIÓN

En primer lugar establezca la palanca hacia adelante o hacia atrás a la posición deseada. (El tener la palanca recta pondrá la unidad en punto muerto). Para conducir todo recto apriete las dos palancas, para girar a la derecha apriete la palanca de la derecha solamente, y del mismo modo para girar a la izquierda, apriete la palanca izquierda. Cuando no se tire de ninguna palanca la unidad rodará libremente. No embrague parcialmente la transmisión al engranar las palancas. Las palancas deben estar engranadas completamente. El uso prolongado de un engranaje parcial podría causar daños internos a la transmisión.



QVSPEU Owner's Manual

CUIDADO Y MANTENIMIENTO DEL CALCETÍN DE POLVO

Fin: El calcetín del polvo actúa como un filtro secundario para reducir la cantidad de polvo que se escapa de la bolsa.

Los calcetines de polvo se pueden utilizar en condiciones secas y polvorientas **SOLAMENTE**. El utilizar el calcetín de polvo en condiciones húmedas o mojadas puede dañar el calcetín de polvo y reducir la eficacia del filtro.

El calcetín de polvo se pueden instalar simplemente uniendo las tiras de velcro de contacto entre la bolsa y el calcetín de polvo. Con el tiempo el calcetín de polvo comenzará a llenarse de polvo debido al uso. De vez en cuando retire el calcetín de polvo, vacíe el polvo suelto y limpie el calcetín. Para una limpieza ligera, simplemente agite el calcetín, para una limpieza más profunda, ver a continuación. Para retirar el calcetín, simplemente separe el Velcro.



Información sobre el cuidado del calcetín del polvo



NO GOLPEAR LA BOLSA CON O CONTRA OBJETOS



NO ENGANCHAR LA BOLSA



LIMPIE LIGERAMENTE CON AIRE COMPRIMIDO SOLAMENTE, DESDE DENTRO HACIA FUERA. MANTENER LA BOQUILLA ENTRE 15-30 CENTIMETROS DEL TEJIDO



NO HUMEDECER

Los calcetines de polvo son artículos de desgaste que se reemplazan normamente. Reemplazo P/N- 831282



MANTENIMIENTO

MANTENIMIENTO PERIÓDICO

Se debe llevar a cabo un mantenimiento periódico en los siguientes intervalos de tiempo:

Operación de mantenimiento	Cada uso (diario)	Cada 5 hrs (diario)	Cada 10 hrs	Cada 25 hrs	Cada 50 hrs
Inspeccione en caso de que haya piezas sueltas, gastadas o dañadas.		●			
Limpiar la bolsa de desechos	●				
Comprobar la presión del neumático	●			●	
Motor (Consultar el manual del motor)					
Comprobar que no haya una vibración excesiva		●			
Comprobar la correa					●
Engrasar					●

Engrasar: Ruedas, Ruedas y rodamientos del eje..

Presión de aire del neumático: Comprobar con regularidad y mantener: Posterior SP 13" neumáticos a **20 psi**. (137.9 kPa).

RETIRAR EL ROTOR

1. Desconectar el cable de la bujía.
2. Asegure la unidad para evitar que se mueva.
3. Retire la boquilla (artículo 7) de la caja, a continuación, retire la placa que está sujeta (artículo 30).
4. Saque la correa (artículo 22) de la polea inferior (artículo 23) y luego deslícela fuera del surco del rotor. Si no consigue sacar la polea inferior, aflojando los rodamientos (artículo 24) en la parte inferior le dará un poco más de juego en la polea.
5. Deslice la correa fuera del surco de la correa en la polea de transmisión del cubo del rotor.
6. Retire el tornillo y la arandela de presión del rotor.
7. Si el rotor se desliza libremente, proceda con el (paso 12). **(No deje caer el rotor)**.
8. Si el rotor no sale del cigüeñal, sitúe dos barras de hierro entre el rotor y la caja en lados opuestos. Haga palanca en el rotor del motor hasta que se afloje. *El uso de un aceite penetrante puede ayudar a aflojar un rotor atascado.*
9. Deslice el rotor fuera del eje del cigüeñal y retire el rotor de la caja.
10. Vuelva a instalar el nuevo rotor, el tornillo y la arandela de presión en orden inverso al desmontaje. *(Vea las piezas dibujadas en las páginas 10-13 en ruptura de piezas y lista de piezas en la página 11 para las especificaciones adecuadas del par motor del tornillo del rotor.)*
11. Una vez instalado el rotor, deslice la correa de nuevo en el surco del cubo y póngala de nuevo en la polea inferior. Vuelva a ajustar los rodamientos si se aflojan.
12. Vuelva a montar la placa de la boquilla y la boquilla en orden inverso al desmontaje.
13. Vuelva a conectar el cable de la bujía.
14. Compruebe que funciona correctamente.

UNIDAD

Las correas son artículos de desgaste que se reemplazan normalmente.

Reemplazo de la correa:

1. Siga los pasos 1-9 en la sección de extracción del rotor. Para reemplazar la correa es necesario retirar el rotor
2. Afloje los tornillos de fijación en la polea en el extremo del eje. Esto permitirá que la polea se deslice fuera de la correa. Saque la correa vieja de la polea.
3. Retire la correa vieja pasándola a través de la caja y reemplazarla por una nueva, asegurándose de sacar la correa alrededor de la polea inferior.
4. Instale el rotor y asegúrese de que la correa se sitúa en el surco del cubo. Utilice el nuevo hardware para sujetar el rotor.



QVSPEU Owner's Manual

NO vuelva a utilizar los viejos tornillos del rotor.

5. Alinear la polea para que la correa funcione recta, a continuación apriete los tornillos de fijación. *NOTA:* asegúrese de que la llave en la polea inferior está todavía en su sitio y no se ha caído.
6. Vuelva a montar la placa de la boquilla y la boquilla en orden inverso al desmontaje.
7. Vuelva a conectar el cable de la bujía.
8. Compruebe que funciona correctamente.

AJUSTE DEL CABLE DE LA UNIDAD

1. Desconectar el cable de la bujía.
2. Retire la bolsa (artículo 5) y la cubierta de la transmisión (artículo 21), que permitirá ver los brazos de accionamiento de la palanca de accionamiento de la transmisión.
3. Afloje las dos tuercas en el cilindro del cable que va a las palancas de accionamiento.
4. La tensión en la palanca de accionamiento se reduce cuando el cilindro del cable se mueve hacia arriba, hacia la palanca, y la tensión se incrementa cuando el cilindro se retira lejos de la palanca. *NOTA:* El mover el cilindro demasiado en cualquier dirección, hará que la palanca de accionamiento se engrane constantemente o no se engrane de ninguna manera.
5. Cuando engrane las palancas de transmisión compruebe la exposición de la transmisión para asegurarse de que los brazos están correctamente engranados y vuelven a posición de desengranaje.
6. Vuelva a colocar la cubierta de la transmisión y la bolsa.
7. Vuelva a conectar el cable de la bujía.
8. Compruebe que funciona correctamente.

Solución de problemas

Problema	Posible causa	Solución
Vibraciones anormales.	- Rotor suelto o desequilibrado o motor suelto	- Comprobar el rotor y reemplazar si es necesario. Revisar el motor
No aspira o tiene un mal rendimiento	- Bolsa de desechos sucia. La altura de la boquilla está demasiado alta o baja. Falta la tapa del equipo de la manguera. La boquilla o el escape están obstruidos. Una cantidad excesiva de desechos.	- Limpiar la bolsa de desechos Agitar la bolsa limpiar o lavar. Ajustar la altura de la boquilla. Compruebe la tapa del equipo de la manguera. Desatascar la boquilla o el escape. Permita que el aire pase con los desechos
El motor no arranca.	- Deje de apagar. El regulador está en posición de apagado. El motor no está totalmente en la posición del estrangulador. Sin gasolina. Gasolina vieja o de mala calidad. El cable de la bujía está desconectado. Filtro de aire sucio. Bajo nivel de aceite (Honda solamente)	- Compruebe los interruptores de parada, el regulador, la posición del estrangulador y la gasolina. Conectar el cable de la bujía. Limpiar o reemplazar el filtro de aire. O póngase en contacto con el servicio técnico.
El motor está bloqueado, no se detendrá.	- Desechos atacados en el rotor. Problema en el motor.	- Ver la página 6, Póngase en contacto con un distribuidor de servicio del motor para los problemas del motor
La boquilla raspa el suelo en el ajuste de menor altura.	Altura de la boquilla fuera de ajuste	Ajuste de la altura de la boquilla (Ver ajuste fino de la altura de la boquilla para superficies duras en la página 6
Sin auto propulsor	La transmisión no está engranada. Las palancas de accionamiento no se engranan. La correa está gastada, se ha roto o está fuera de posición. Los muelles de retorno de la transmisión están rotos	Compruebe la selección de marchas hacia delante/hacia atrás. Verifique el ajuste de la cable de la palanca de accionamiento y la correa. Revise los muelles de retorno de la transmisión
La unidad autopropulsada no se pone en marcha	Las palancas de accionamiento están demasiado apretadas, lo que mantiene la transmisión engrandada	Ajustar los cilindros en las palancas de accionamiento para disminuir la tensión en la transmisión.