

VACUUM HOSE KIT

P/N 830255 5" (127mm) x 8'
(2.4m) For vacuuming in
hard-to-reach areas.

HOSE COUPLER KIT

P/N 830334

5" (127mm) For coupling
multiple hoses together to
increase vacuuming
distance.

**SUPER SILENT MUF-
FLER KIT P/N 800952**

Reduces noise (Briggs only)

MAGNETIC BAR KIT

P/N 830256

For picking up nuts, bolts
and metal scraps.

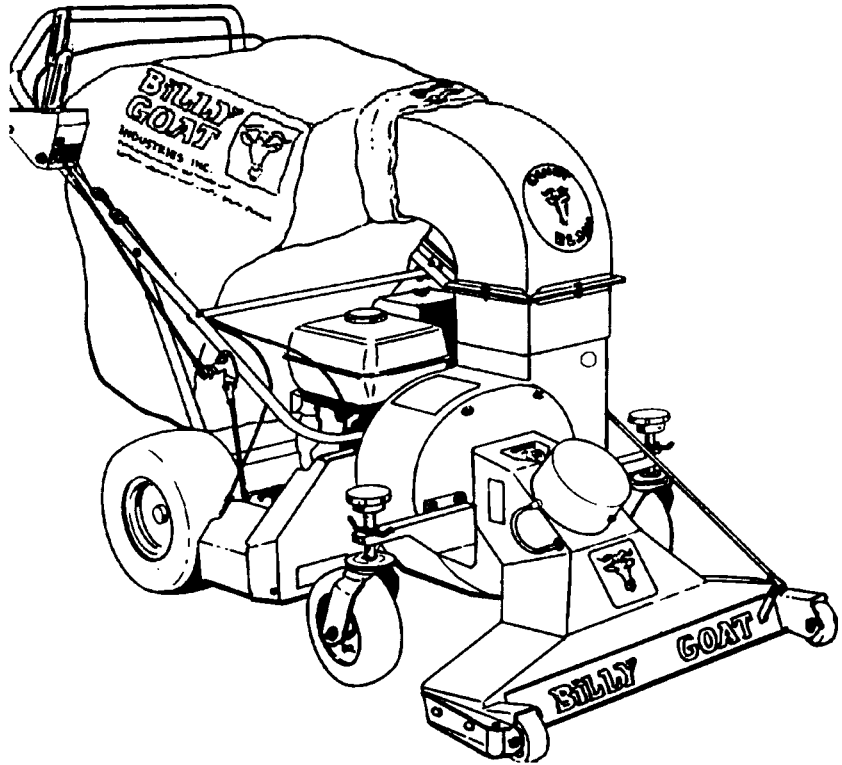
ALTERNATE DEBRIS BAGS

- **STANDARD DEBRIS BAG**
P/N 830320 Standard on
VQ models. For dusty
conditions.
- **TURF DEBRIS BAG**
P/N 830282 For use in
leaves and grass in non-
dusty conditions.
- **BAG COVER P/N 830284**
Directs dust downward
away from operator.

**BILLY
GOAT**
INDUSTRIES, INC.



CE95



Thank You for Selecting
The Powerful VQ QUIET VACUUM

Operator Owner's Manual

Push Models

VQ801IC, VQ801H

Self Propelled Models

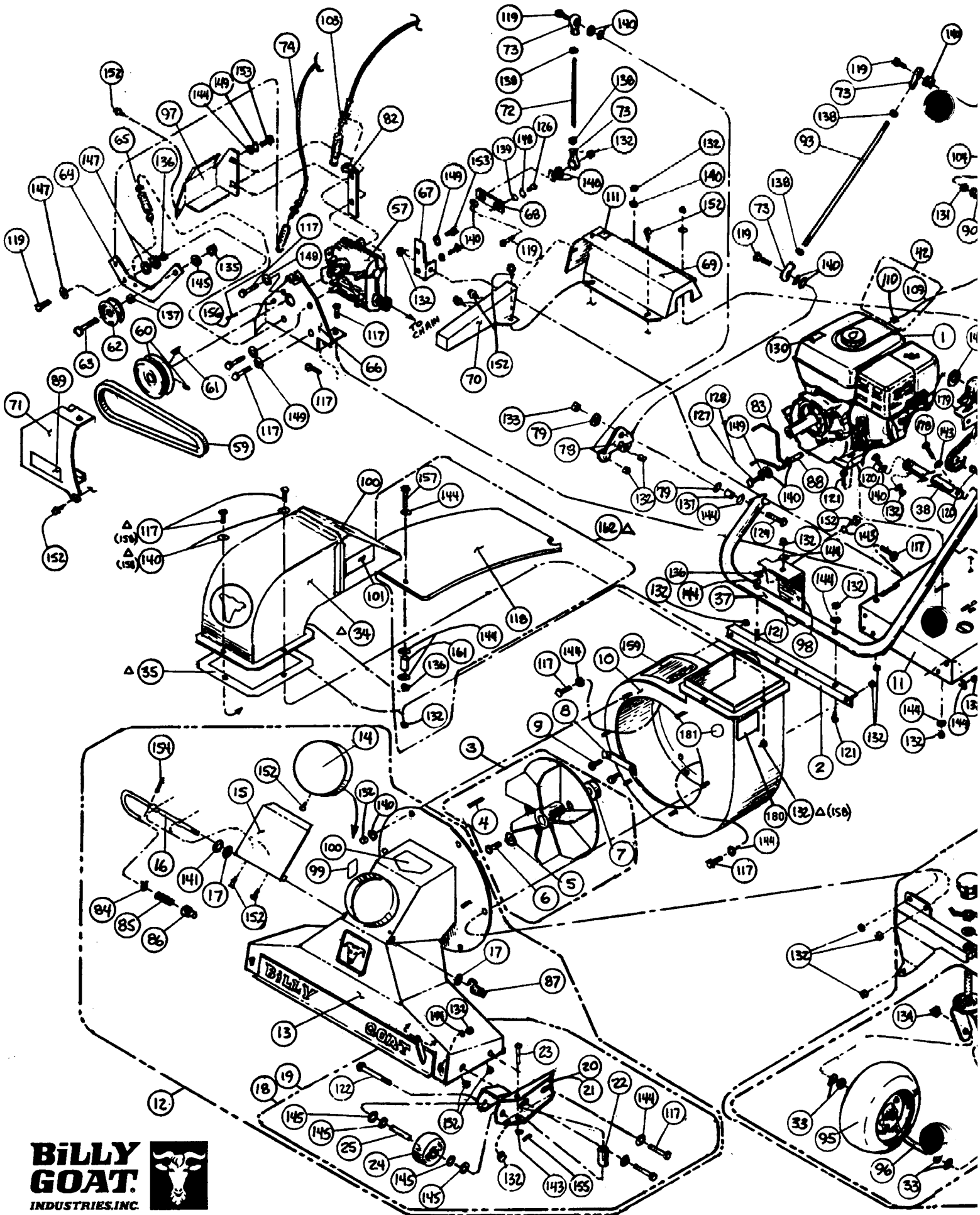
VQ801ICP, VQ801HP

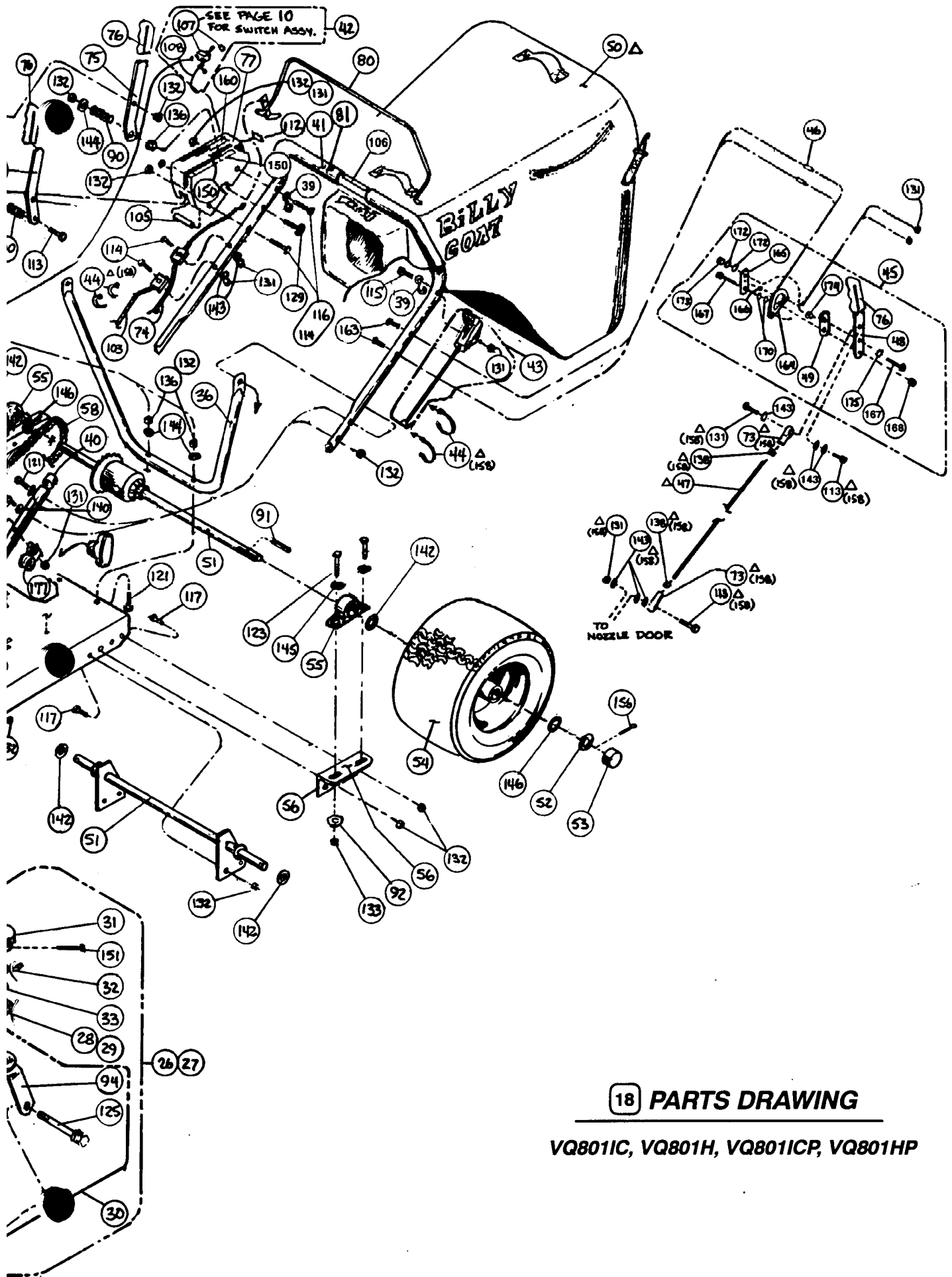
Specifications

	VQ801IC	VQ801H	VQ801ICP	VQ801HP
ENGINE: HP	8 (5.97 kW)	8 (5.97 kW)	8 (5.97 kW)	8 (5.97 kW)
ENGINE: TYPE	B & S I/C	HONDA OHV	B & S I/C	HONDA OHV
ENGINE: FUEL CAP.	4 qt. (3.8 L)	6.4 qt. (6.1 L)	4 qt. (3.8 L)	6.4 qt. (6.1 L)
ENGINE: OIL CAP.	1.38 qt. (1.3 L)	1.16 qt. (1.1 L)	1.38 qt. (1.3 L)	1.16 qt. (1.1 L)
WEIGHT: UNIT	220 lb (99.8 kg)	222 lb (100.7 kg)	276 lb (125.2 kg)	278 lb (126.1 kg)
WEIGHT: SHIPPING	252 lb (114.3 kg)	254 lb (115.2 kg)	308 lb (139.7 kg)	310 lb (140.6 kg)
ENGINE: WEIGHT	49.0 lb (22.2 kg)	48.5 lb (22.0 kg)	49 lb (22.2 kg)	48.5 lb (22.0 kg)

UNIT SIZE: OVERALL LENGTH: 66" (1.68m) OVERALL WIDTH: 32.75" (0.83m) OVERALL HEIGHT: 43.5" (1.10m)

(Note: B&S = Briggs & Stratton, Honda = American Honda)





18 PARTS DRAWING

VQ801IC, VQ801H, VQ801ICP, VQ801HP

ITEM	19 PARTS LIST	DESCRIPTION	VQ801IC		VQ801H		VQ801ICP		VQ801HP	
			PART NO.	QTY	PART NO.	QTY	PART NO.	QTY	PART NO.	QTY
1	ENGINE 8HPIC		800880	1	-	-	800880	1	-	-
	ENGINE 8 HP HONDA		-	-	400937	1	-	-	400937	1
2	ANGLE MOUNT HDLE WA		830125	1	830126	1	830125	1	830126	1
3	IMPELLER ASSY VQ (INCLUDES ITEM 4.5.6.7)		830243	1	830243	1	830244	1	830244	1
4	KEY 0.25 SQ. X 2.25"		9201123	1	-	-	9201123	1	-	-
	KEY 0.25 SQ. x 2.75"		-	-	9201125	1	-	-	9201125	1
5	WASHER LOCK 7/16 TWISTED TOOTH		850132	1	850132	1	850132	1	850132	1
6	SCREW CAP 7/16 NF x 1 1/4 GR5 TORQ 60 FT LBS (81.4 N·m)		800554	1	-	-	800554	1	-	-
	SCREW CAP 7/16 NF x 2 1/4 GR8 TORQ 60 FT LBS (81.4 N·m)		-	-	830114	1	-	-	830114	1
7	SPACER ENGINE		-	-	830112	1	-	-	830113	1
8	CLIP LOCK		400591	1	400591	1	400591	1	400591	1
9	SCREW CAP 5/16 NF x 1 1/2 GRD. 8		830135	2	-	-	830135	2	-	-
	SCREW CAP 5/16 NF x 2 1/2 GRD. 8		-	-	830136	2	-	-	830136	2
10	HOUSING ASSEMBLY W/LABELS VQ		830153	1	830153	1	830153	1	830153	1
11	FRAME WA VQ		830171	1	830171	1	830171	1	830171	1
12	NOZZLE ASSEMBLY VQ		830010	1	830010	1	830010	1	830010	1
13	NOZZLE ASSY W/LABELS		830181	1	830181	1	830181	1	830181	1
14	CAP PLUG VQ		830232	1	830232	1	830232	1	830232	1
15	PLATE DOOR NOZZLE HOSE		830193	1	830193	1	830193	1	830193	1
16	ROD DIVERTER VQ		830194	1	830194	1	830194	1	830194	1
17	GROMMET FLG. 1/2 MOLDED		830176	2	830176	2	830176	2	830176	2
18	BRKT BOGIE ASSY LH		830197	1	830197	1	830197	1	830197	1
19	BRKT BOGIE ASSY RH		830198	1	830198	1	830198	1	830198	1
20	BRKT BOGIE WA LH		830199	1	830199	1	830199	1	830199	1
21	BRKT BOGIE WA RH		830200	1	830200	1	830200	1	830200	1
22	ROLLER GUIDE		850204	2	850204	2	850204	2	850204	2
23	PIN ROLLER		850205	2	850205	2	850205	2	850205	2
24	WHEEL BOGIE 3"		850149	2	850149	2	850149	2	850149	2
25	SPACER 5/16 X 1 5/8		850150-03	2	850150-03	2	850150-03	2	850150-03	2
26	CASTER & BRKT LH ASSY VQ		830145	1	830145	1	830145	1	830145	1
27	CASTER & BRKT RH ASSY VQ		830146	1	830146	1	830146	1	830146	1
28	BRKT LH WA 8" CASTER		830147	1	830147	1	830147	1	830147	1
29	BRKT RH WA 8" CASTER		830148	1	830148	1	830148	1	830148	1
30	CASTER ASSY 8" PNEU 3/4 NC (INCL ITEM 33 (4), 94, 95, 96, 125, 134)		830141	2	830141	2	830141	2	830141	2
31	KNOB HAND		850154	2	850154	2	850154	2	850154	2
32	NUT WING WA		800227	2	800227	2	800227	2	800227	2
33	WASHER 3/4 NYLON		800109	10	800109	10	800109	10	800109	10
34	ELBOW ASSY W/LABELS VQ		830159	1	830159	1	830159	1	830159	1
35	GASKET FLANGE TRANSITION VQ		830160	1	830160	1	830160	1	830160	1
36	HANDLE BRACE REAR		830162	1	830162	1	830162	1	830162	1
37	HANDLE LOWER VQ		830161	1	830161	1	830161	1	830161	1
38	TUBE HANDLE BAG SUPPORT		830163	1	830163	1	830163	1	830163	1
39	ROD BAG LOOP		800178	2	800178	2	800178	2	800178	2
40	CAP TUBE		800392	2	800392	2	800392	2	800392	2
41	HANDLE ASSY UPPER W/GRIP (39, 45, 46, 81, 114, 115, 131, 163)		830164	1	830164	1	890295	1	890295	1
42	SWITCH & WIRE ASSY (ITEMS 107, 108, 109, 110)		-	-	-	-	-	-	830242	1
43	CONTROL THROTTLE ASSY VQ SERVICE		810135	1	830132	1	810135	1	830132	1
44	CLAMP CABLE 1"		900813	4	900813	4	900813	4	900813	4
45	DOOR NOZZLE FRICTION ASSY		830288	1	830288	1	830288	1	830288	1
46	SPACER		850198	2	850198	2	850198	2	850198	2
47	ROD DOOR NOZZLE		830286	1	830286	1	830286	1	830286	1
48	BAR LEVER DOOR		830287	1	830287	1	830287	1	830287	1
49	PLATE FRICTION LIFT		850191	1	850191	1	850191	1	850191	1
50	BAG ASSY VQ / TURF BAG 830282		830320	1	830320	1	830320	1	830320	1
51	AXLE REAR WA PUSH		830167	1	830167	1	-	-	-	-
	DIFFERENTIAL ASSY / SPROCK. ONLY 810231		-	-	-	-	830123	1	830123	1
52	WASHER HUB CAP		850237	2	850237	2	850237	2	850237	2
53	CAP HUB		900486	2	900486	2	900486	2	900486	2
54	WHEEL PNEU 16"		850147	2	850147	2	-	-	-	-
	WHEEL 13" x 6.5" PNEU. SP		-	-	-	-	830177	2	830177	2
55	BRG PILLOW BLOCK WA		-	-	-	-	830246	2	830246	2
56	BRKT ANGLE AXLE VQSP		-	-	-	-	830178	1	830178	1
57	TRANSMISSION 5 SPEED 1 REV W/BRAKE (TECUMSEH)		-	-	-	-	830179	1	830179	1
58	CHAIN #41 x 64P VQSP		-	-	-	-	830124	1	830124	1
59	BELT "V" 4L x 34" OUTSIDE LG.		-	-	-	-	830223	1	830223	1
60	PULLEY 5.0 DIA. A SEC 0.625 ID		-	-	-	-	830180	1	830180	1
61	KEY HIPRO 3/16 X 3/4		-	-	-	-	850234	1	850234	1
62	PULLEY IDLER		-	-	-	-	800260	1	800260	1
63	BOLT IDLER		-	-	-	-	800888	1	800888	1
64	PLATE IDLER PIVOT VQ		-	-	-	-	830219	1	830219	1
65	SPRING		-	-	-	-	400217	1	400217	1

ITEM	19 PARTS LIST Continued	DESCRIPTION	VQ801IC		VQ801H		VQ801ICP		VQ801HP	
			PART NO.	QTY	PART NO.	QTY	PART NO.	QTY	PART NO.	QTY
66	BRKT TRANSMISSION WA VQ	-	-	-	-	830222	1	830222	1	
67	BRKT TRANSMISSION REAR	-	-	-	-	830218	1	830218	1	
68	BAR LINK SHIFT VQ	-	-	-	-	830224	1	830224	1	
69	GUARD DIFFERENTIAL VQ WELD	-	-	-	-	830253	1	830253	1	
70	GUARD CHAIN VQ WELD	-	-	-	-	830254	1	830254	1	
71	GUARD PULLEY W/LABEL	-	-	-	-	830252	1	830252	1	
72	ROD SHIFT LOWER	-	-	-	-	830215	1	830215	1	
73	ROD END BALL JOINT 5/16 NF	400873	2	400873	2	400873	6	400873	6	
74	CABLE CLUTCHASSY	-	-	-	-	830210	1	830210	1	
75	BAR LEVER SHIFT VQ	-	-	-	-	830216	1	830216	1	
76	GRIP	850190	1	850190	1	850190	3	850190	3	
77	BRKT CONTROL SHIFT ASSY W/LABELS	-	-	-	-	830238	1	830238	1	
78	PLATE CRANK BELL VQ	-	-	-	-	830212	1	830212	1	
79	WASHER FLAT NYLON 3/8	-	-	-	-	830213	2	830213	2	
80	ROD BAIL CLUTCH	-	-	-	-	830235	1	830235	1	
81	GRIP HANDLE 1" x 16"	830166	2	830166	2	830166	2	830166	2	
82	BAR BRAKE CABLE MOUNT	-	-	-	-	830225	1	830225	1	
83	WIRE BELT GUIDE VQ	-	-	-	-	830133	1	830133	1	
84	GRIP RING	400340	1	400340	1	400340	1	400340	1	
85	SPRING COMPRESSION	400332	1	400332	1	400332	1	400332	1	
86	SPACER	400330	1	400330	1	400330	1	400330	1	
87	SPRING DOOR	890142	1	890142	1	890142	1	890142	1	
88	SPACER	-	-	-	-	-	-	830134	2	
89	LABEL DANGER GUARDS	-	-	-	-	900327	1	900327	1	
90	SPRING COMPRESSION BRAKE	-	-	-	-	830249	2	830249	2	
91	KEY SQ 3/16 X 1 3/4	-	-	-	-	9201084	2	9201084	2	
92	WASHER 3/8 TWISTED TOOTH	-	-	-	-	400502	4	400502	4	
93	ROD SHIFT UPPER	-	-	-	-	830214	1	830214	1	
94	FORK CASTER 8" 3/4 NC	830142	2	830142	2	830142	2	830142	2	
95	WHEEL & TIRE 8" PNEU	830143	2	830143	2	830143	2	830143	2	
96	SPACER SPANNER	830144	2	830144	2	830144	2	830144	2	
97	GUARD BRAKE VQ WELD	-	-	-	-	830250	1	830250	1	
98	GUARD BELT VQ	-	-	-	-	830228	1	830228	1	
99	LABEL DIVERTER INSTRUCTIONS	830196	1	830196	1	830196	1	830196	1	
100	LABEL DANGER	400424	2	400424	2	400424	2	400424	2	
101	LABEL DANGER FLYING MATERIAL	810736	2	810736	2	810736	2	810736	2	
102										
103	CABLE ASSY BRAKE VQ	-	-	-	-	830211	1	830211	1	
104	BAR LEVER BRAKE VQ	-	-	-	-	830217	1	830217	1	
105	SPACER	-	-	-	-	850150	2	850150	2	
106	LABEL CLUTCH VQ	-	-	-	-	830503	1	830503	1	
107	SWITCH TOGGLE	-	-	-	-	-	-	830239	1	
108	CABLE ASSY SWITCH GROUND	-	-	-	-	-	-	400786	1	
109	CABLE ASSY SWITCH	-	-	-	-	-	-	830278	1	
110	CONNECTOR TAP	-	-	-	-	-	-	810673	1	
111	LABEL OIL	-	-	-	-	830502	1	830502	1	
112	LABEL ON OFF	-	-	-	-	-	-	830276	1	
113	SCREW CAP 1/4-20 x 1 1/4"	*8041007	2	*8041007	2	*8041007	3	*8041007	3	
114	SCREW CAP 1/4-20 x 1 1/2"	*8041008	1	*8041008	1	*8041008	2	*8041008	2	
115	SCREW CAP 1/4-20 x 2"	*8041010	1	*8041010	1	*8041010	1	*8041010	1	
116	SCREW CAP 5/16-18 x 3 1/2" GR. 5	-	-	-	-	850304	2	850304	2	
117	SCREW CAP 5/16-18 x 3/4"	*8041026	13	*8041026	13	*8041026	19	*8041026	19	
118	PLATE DEBRIS DEFLECTOR	830279	1	830279	1	830279	1	830279	1	
119	SCREW CAP 5/16-18 x 1 1/4"	-	-	-	-	*8041029	5	*8041029	5	
120	SCREW CAP 5/16-18 x 1 1/2"	*8041030	1	*8041030	1	*8041030	1	*8041030	1	
121	SCREW CAP 5/16-18 x 1 3/4"	*8041031	12	*8041031	12	*8041031	12	*8041031	12	
122	SCREW CAP 5/16-18 x 2 1/2"	*8041034	2	*8041034	2	*8041034	2	*8041034	2	
123	SCREW CAP 3/8-16 x 1 1/4"	-	-	-	-	*8041051	4	*8041051	4	
124	SCREW CAP 3/8-16 x 2"	-	-	-	-	*8041054	1	*8041054	1	
125	SCREW CAP 1/2-10 x 4 1/2"	*8041107	2	*8041107	2	*8041107	2	*8041107	2	
126	SCREW CAP 1/4 NF x 1/2 GR. 5"	-	-	-	-	850408	1	850408	1	
127	SCREW CAP 5/16 NF x 3/4"	-	-	-	-	*8042026	1	-	-	
128	SCREW CAP 5/16 NF x 1 1/2"	-	-	-	-	-	-	*8042030	1	
129	SCREW HANDLE 5/16-18 x 2 1/4"	-	-	-	-	900547	1	900547	1	
130	LABEL DO NOT FILL WHEN ENGINE IS HOT	400268	1	400268	1	400268	1	400268	1	
131	NUT LOCK 1/4 NC	*8160001	7	*8160001	7	*8160001	10	*8160001	10	
132	NUT LOCK 5/16 NC	*8160002	41	*8160002	41	*8160002	53	*8160002	53	
133	NUT LOCK 3/8 NC	-	-	-	-	*8160003	5	*8160003	5	
134	NUT LOCK 1/2 NC	*8160005	2	*8160005	2	*8160005	2	*8160005	2	
135	NUT LOCK 3/8 NC THIN HT.	-	-	-	-	*8161042	1	*8161042	1	
136	NUT REG. 5/16 NC	*8142002	1	*8142002	1	*8142002	6	*8142002	6	
137	NUT REG. 3/8 NC	-	-	-	-	*8142003	2	*8142003	2	
138	NUT REG. 5/16 NF	*8149002	2	*8149002	2	*8149002	6	*8149002	6	

ITEM	19 PARTS LIST Continued	DESCRIPTION	VQ801C		VQ801H		VQ801ICP		VQ801HP	
			PART NO.	QTY	PART NO.	QTY	PART NO.	QTY	PART NO.	QTY
139	WASHER SAE 1/4	-	-	-	-	*8172007	1	*8172007	1	
140	WASHER SAE 5/16	*8172008	11	*8172008	11	*8172008	19	*8172008	19	
141	WASHER SAE 3/8	*8172009	1	*8172009	1	*8172009	1	*8172009	1	
142	WASHER SAE 3/4	*8172015	2	*8172015	2	*8172015	2	*8172015	2	
143	WASHER FLAT CUT 1/4	*8171002	9	*8171002	9	*8171002	10	*8171002	10	
144	WASHER FLAT CUT 5/16	*8171003	26	*8171003	26	*8171003	32	*8171003	32	
145	WASHER FLAT CUT 3/8	*8171004	8	*8171004	8	*8171004	13	*8171004	13	
146	WASHER 3/4 (0.765 x 1.25 x 0.06)	850238	2	850238	2	850238	2	850238	2	
147	WASHER FENDER 5/16	-	-	-	-	*8172020	2	*8172020	2	
148	WASHER LOCK 1/4	-	-	-	-	*8177010	1	*8177010	1	
149	WASHER LOCK 5/16	-	-	-	-	*8177011	8	*8177011	9	
150	LABEL SPEED CONTROL	-	-	-	-	830237	1	830237	1	
151	SCREW MACH #10-24 x 2"	*8059143	2	*8059143	2	*8059143	2	*8059143	2	
152	SCREW SHT. MTL 1/4 AB x 3/4	*8122082	3	*8122082	3	*8122082	11	*8122082	11	
153	SCREW SELF-TAP 5/16 NC x 3/4 HEX	-	-	-	-	*8123128	4	*8123128	4	
154	PIN ROLL 1/8 x 3/4	*8195100	1	*8195100	1	*8195100	1	*8195100	1	
155	PIN COTTER 3/32 x 3/4	*8197016	2	*8197016	2	*8197016	2	*8197016	2	
156	PIN COTTER 1/8 x 1"	*8197031	2	*8197031	2	*8197031	3	*8197031	3	
157	SCREW CAP 5/16-18 x 2 3/4	*8041035	1	*8041035	1	*8041035	1	*8041035	1	
158	LOOSE PARTS BAG ASSY VQ	830204	1	830204	1	830204	1	830204	1	
159	LABEL DANGER INSTRUCTIONS	830138	1	830138	1	830138	1	830138	1	
160	LABEL BRAKE RELEASE	-	-	-	-	830275	1	830275	1	
161	SPACER	900724	1	900724	1	900724	1	900724	1	
162	DEFLECTOR DEBRIS ASSY	830280	1	830280	1	830280	1	830280	1	
163	SCREW CAP 1/4-20 x 1 3/4	*8041009	2	*8041009	2	*8041009	2	*8041009	2	
164	PLATE QUAD LIFT	850192	1	850192	1	850192	1	850192	1	
165	PLATE CLAMP LIFT	850193	1	850193	1	850193	1	850193	1	
166	BALL 1/4"	850194	1	850194	1	850194	1	850194	1	
167	SCREW CAP 1/4-28 x 1"	*8042006	2	*8042006	2	*8042006	2	*8042006	2	
168	NUT 1/4-20 WASHER FACE	900455	1	900455	1	900455	1	900455	1	
169										
170	WASHER 1/4 FLAT CUT	*8171002	2	*8171002	2	*8171002	2	*8171002	2	
171										
172	WASHER - BELVILLE 1/4"	850207	2	850207	2	850207	2	850207	2	
173	NUT LOCK 1/4-28	*8161001	1	*8161001	1	*8161001	1	*8161001	1	
174	NUT JAM 1/4-28	*8150001	1	*8150001	1	*8150001	1	*8150001	1	
175	WASHER LOCK - EXT 1/4	*8181007	1	*8181007	1	*8181007	1	*8181007	1	
176										
177	GUIDE STARTER ROPE	830297	2	830297	2	830297	2	830297	2	
178	SCREW CAP 1/4 - 20 x 2 1/4	*8041011	1	*8041011	1	*8041011	1	*8041011	1	
179	ANGLE AXLE MOUNT VQSP RT. SIDE	-	-	-	-	830501	1	830501	1	
180	LABEL EAR EYE BREATHING	890254	1	890254	1	890254	1	890254	1	
181	LABEL READ OWNER'S MANUAL	890301	1	890301	1	890301	1	890301	1	

19 Switch & Wire Assembly Parts List (Honda SP only)			
107	Switch Toggle 6A/125V	830239	1
108	Cable Ass'y Switch Ground	400786	1
109	Cable Ass'y Switch VQ	830278	1
110	Connector-Tap in Squeeze	810673	1
E-1	Wire to Engine Stop Switch	----	--

* Denotes standard hardware item that may be purchased locally.

△ Denotes parts found in parts bag assembly.

B1	Black
Y	Yellow
G	Green

