

**2** OPTIONAL ACCESSORIES

**SHREDDER KIT  
P/N 890209.**

*Shreds leaves, dramatically reducing total volume, 12:1.*

**ON BOARD VACUUM HOSE KIT  
P/N 890041.**

*4" (102mm) x 7' (2.13m)  
For vacuuming in hard to reach areas.*

**HOSE EXTENSION KIT  
P/N 890045.**

*Kit contains a connector and a clamp, Hose is not included.*

**NOZZLE WEAR PLATES  
P/N 890413.**

*Extends nozzle life when used along curbs and hard surfaces.*

**STANDARD TURF PRO DEBRIS BAG  
P/N 890028.**

*Standard on TKD models. For use in leaves and grass in non-dusty conditions.*

**PRO FELT BAG  
P/N 890023**

*Standard on KDSP models. For use in dusty conditions.*

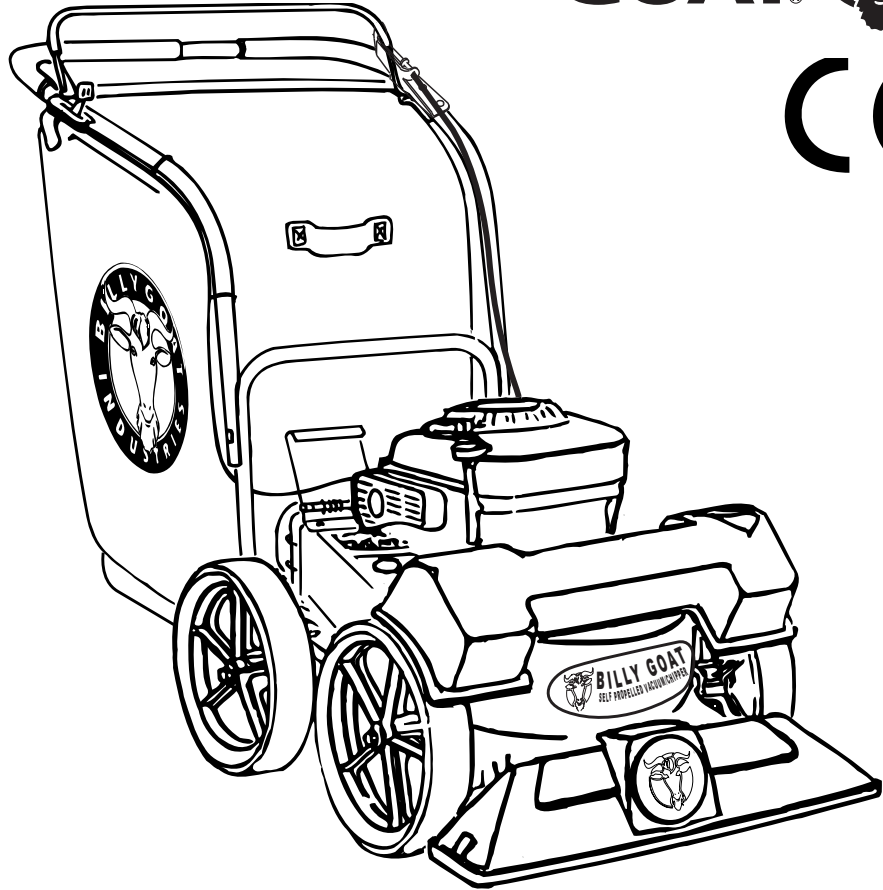
**FELT BAG COVER  
P/N 900801**

*Directs dust downward away from operator.*

**ZIPPERLESS PRO BAG  
P/N 890309**

*For non dusty conditions that are damaging to zippers.*

**1**



**BILLY GOAT** 



*Thank You for Selecting  
The Powerful KD or TKD TERMITE®  
SELF PROPELLED VACUUM CHIPPER*

**Operator Owner's Manual**

**KD512SP, TKD512SP**

**3**

**Specifications**

	<b>KD512SP</b>	<b>TKD512SP</b>
ENGINE:H.P.	5.5 (4.1kW)	5.5 (4.1kW)
ENGINE:TYPE	B&S DIAMOND I/C	B&S DIAMOND I/C
ENGINE:FUEL CAP.	1.5qt. (1.4L)	1.5qt. (1.4L)
ENGINE:OIL CAP.	0.63qt. (0.6L)	0.63qt. (0.6L)
WEIGHT:UNIT	117# (53.1 kg)	133# (60.3 kg)
WEIGHT:SHIPPING	140# (63.5 kg)	156# (70.8 kg)
ENGINE WEIGHT:	26# (11.8 kg)	26# (11.8 kg)

**UNIT SIZE:** OVERALL LENGTH: 62"(1.57m) OVERALL WIDTH 26.75" (0.68m) OVERALL HEIGHT 42" (1.07m)

# 5 IN THE INTEREST OF SAFETY



**BEFORE STARTING ENGINE, READ AND UNDERSTAND THE "ENTIRE OPERATOR'S MANUAL & ENGINE MANUAL."**



**THIS SYMBOL MEANS WARNING OR CAUTION. DEATH, PERSONAL INJURY AND/OR PROPERTY DAMAGE MAY OCCUR UNLESS INSTRUCTIONS ARE FOLLOWED CAREFULLY.**



**WARNING:** The Engine Exhaust from this product contains chemicals known to the State of California to cause cancer, birth defects or other reproductive harm.

## WARNING: DO NOT

1. **DO NOT** run engine in an enclosed area. Exhaust gases contain carbon monoxide, an odorless and deadly poison.
2. **DO NOT** place hands or feet near moving or rotating parts.
3. **DO NOT** store, spill or use gasoline near an open flame, or devices such as a stove, furnace, or water heater which use a pilot light or devices which can create a spark.
4. **DO NOT** refuel indoors where area is not well ventilated. Outdoor refueling is recommended.
5. **DO NOT** fill fuel tank while engine is running. Allow engine to cool for 2 minutes before refueling. Store fuel in approved safety containers.
6. **DO NOT** remove fuel tank cap while engine is running.
7. **DO NOT** operate engine when smell of gasoline is present or other explosive conditions exist.
8. **DO NOT** operate engine if gasoline is spilled. Move machine away from the spill and avoid creating any ignition until the gasoline has evaporated.
9. **DO NOT** transport unit with fuel in tank.
10. **DO NOT** smoke when filling fuel tank.
11. **DO NOT** choke carburetor to stop engine. Whenever possible, gradually reduce engine speed before stopping.
12. **DO NOT** run engine at excessive speeds. This may result in injury & /or damage to unit.

13. **DO NOT** tamper with governor springs, governor links or other parts which may change the governed engine speed.
14. **DO NOT** tamper with the engine speed selected by the engine manufacturer.
15. **DO NOT** check for spark with spark plug or spark plug wire removed. Use an approved tester.
16. **DO NOT** crank engine with spark plug removed. If engine is flooded, place throttle in "FAST" position and crank until engine starts.
17. **DO NOT** strike flywheel with a hard object or metal tool as this may cause flywheel to shatter in operation. Use proper tools to service engine.
18. **DO NOT** operate engine without a muffler. Inspect periodically and replace, if necessary. If engine is equipped with muffler deflector, inspect periodically and replace, if necessary, with correct deflector.
19. **DO NOT** operate engine with an accumulation of grass, leaves, dirt or other combustible material in the muffler area.
20. **DO NOT** use this engine on any forest covered, brush covered, or grass covered unimproved land unless a spark arrester is installed on the muffler. The arrester must be maintained in effective working order by the operator. In the State of California the above is required by law (Section 4442 of the California Public Resources Code). Other states may have similar laws. Federal laws apply on federal lands.
21. **DO NOT** touch hot muffler, cylinder, or fins because contact may cause burns.
22. **DO NOT** run engine without air cleaner or air cleaner cover.
23. **DO NOT** operate during excessive vibration!
24. **DO NOT** leave machine unattended while in operation.
25. **DO NOT** park machine on a steep grade or slope.

## WARNING: DO



1. **ALWAYS DO** remove the wire from the spark plug when servicing the engine or equipment TO PREVENT ACCIDENTAL STARTING.
2. **DO** keep cylinder fins and governor parts free of grass and other debris which can affect engine speed.
3. **DO** pull starter cord slowly until resistance is felt. Then pull cord rapidly to avoid kickback and prevent hand or arm injury.
4. **DO** examine muffler periodically to be sure it is functioning effectively. A worn or leaking muffler should be repaired or replaced as necessary.
5. **DO** use fresh gasoline. Stale fuel can gum carburetor and cause leakage.
6. **DO** check fuel lines and fittings frequently for cracks or leaks. Replace if necessary
7. **Follow** engine manufacturer operating and maintenance instructions.
8. **Inspect** machine and work area before starting unit.

### 6 TABLE OF CONTENTS

SAFETY INSTRUCTIONS	2
GENERAL SAFETY	3
ASSEMBLY	3
PARTS BAG & CONTROLS	4
LABELS	4
OPERATION	5 - 7
MAINTENANCE	8 - 9
PARTS DRAWING & LIST	10 - 12
TROUBLESHOOTING	12
WARRANTY PROCEDURE	12

7

### SOUND

Sound tests conducted were in accordance with 2000/14/EEC and were performed on 2/16/2002 under the conditions listed:

**NOTE:** Sound power level listed is the highest value for any model in this manual. Please refer to serial plate on the unit for the sound power level for your model.

Sound level of 96 dBA at operator position



**112 dB**

(TKD512SP MODEL)

GENERAL CONDITION:	Sunny
TEMPERATURE:	60° F (15.6° C)
WIND SPEED:	10 MPH (16.1 kmh)
WIND DIRECTION:	North
HUMIDITY:	32 %
BAROMETRIC PRESSURE:	29.95" Hg (761mm Hg)

8

### VIBRATION

**VIBRATION LEVELS 2.2g**  
Vibration levels at the operators handles on model TKD510SP were measured in the vertical, lateral, and longitudinal directions using calibrated vibration test equipment. Tests were performed on 05/19/95 under the conditions listed:

GENERAL CONDITION:	Sunny
TEMPERATURE:	62° F (16.7° C)
WIND SPEED:	5 MPH (8.0 kmh)
WIND DIRECTION:	South
HUMIDITY:	67 %
BAROMETRIC PRESSURE:	30.06" Hg (764mm Hg)

# GENERAL SAFETY

*For your safety and the safety of others, these directions should be followed:*



Do not operate this machine without first reading owner's manual and engine manufacturer's manual.



Use of Ear Protection is recommended while operating this machine.



Use of Eye and Breathing protection is recommended when using this machine, especially in dry and dusty conditions. Optional bag cover directs dust toward ground, away from the operator.

- DO NOT place hands or feet inside nozzle intake opening, near debris outlet or near any moving parts.
- DO NOT start engine without debris bag and quick disconnect connected firmly in place to exhaust outlet.
- DO NOT start or operate machine with debris bag zipper open.

- DO NOT operate during excessive vibration.
- DO NOT remove bag until engine has been turned off and has come to a complete stop.
- DO NOT remove hose kit cap on nozzle until engine has been turned off and has come to a complete stop.
- DO NOT operate machine with hose cap, bag or hose removed.
- DO NOT use this machine for vacuuming **exclusively** sand, dust, fine dirt, rock, glass, string like material, grain, rags, cans, metal, bark or water.
- DO NOT operate this machine on slopes greater than 20%.
- DO NOT pick up any hot or burning debris, or any toxic or explosive material.
- DO NOT allow children to operate this equipment.

# ASSEMBLY



Read all safety and operating instructions before assembling or starting this unit.



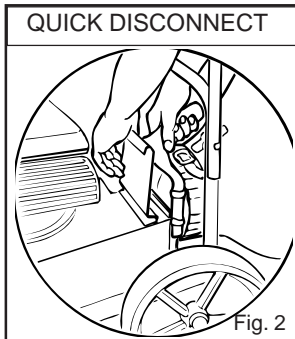
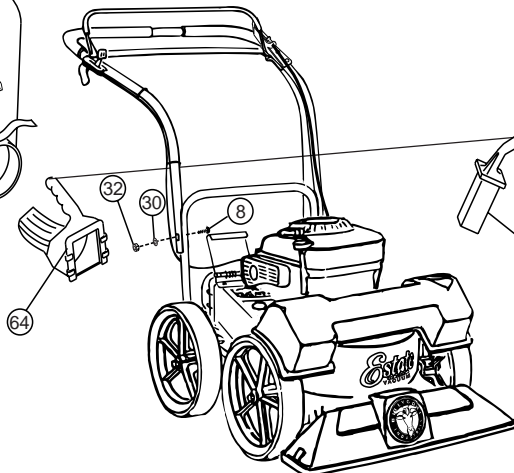
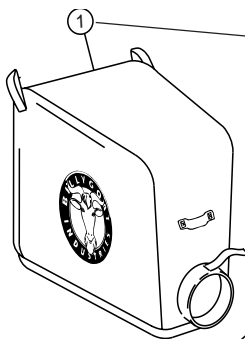
**PUT OIL IN ENGINE BEFORE STARTING**

Your Billy Goat is shipped from the factory in one carton, completely assembled except for the upper handle, debris bag, and bag quick disconnect.

1. **ASSEMBLE** Lift upper handle (item 6), remove items 8, 73, 74, & 30 from lower handle (item 27). Attach upper and lower handle as shown, and securely tighten folding handle knobs(item 73),while holding head of screw(item 8) firmly against upper handle.
2. **UNFOLD** the debris bag (item 1) and fasten bag neck to bag quick disconnect (item 83). Attach firmly to housing exhaust (item 52) see fig. 2.
3. **ATTACH** bag hanger strap to bag supports (item 11), preassembled to upper handle.
4. **INSTALL** tamper (item 3) in chipper hopper (see page 7)(TKD ONLY).
5. **CONNECT** spark plug wire.

# PACKING CHECKLIST

These items should be included in your carton. If any of these parts are missing, contact your dealer.

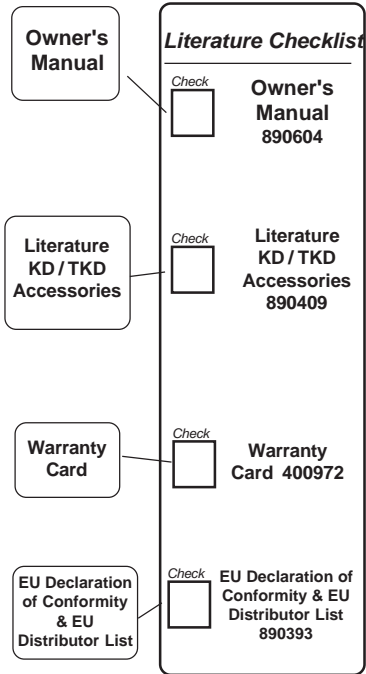


<b>Debris Bag</b>	
Check <input type="checkbox"/>	890023 KD
Check <input type="checkbox"/>	890028 TKD
Check <input type="checkbox"/>	<b>Connector Quick Disconnect</b> 890176
Check <input type="checkbox"/>	<b>Tamper (TKD MODELS ONLY)</b> 890229
Check <input type="checkbox"/>	<b>Literature Assy</b> 890594
Check <input type="checkbox"/>	<b>Briggs &amp; Stratton</b>

- Literature Assembly
- Engine Manual

12

### LITERATURE ASSY P/N 890594



13

### CONTROLS

**Throttle Control**

**Start position**

Briggs engines have a primer button carburetor with no choke.

**Stop position**



14

### INSTRUCTION LABELS

These labels should be included on your Vacuum. If any of these labels are damaged, replace them before putting this equipment into operation. Item and part numbers are given to help in ordering replacement labels..

Label Read Owner's Manual Item 84 Part No.890301



Label Danger Keep Hands and Feet Away Item 29 Part No.400424



Label Danger Flying Material Item 62 Part No.810736



Label Danger Guards Item 84 Part No. 900327



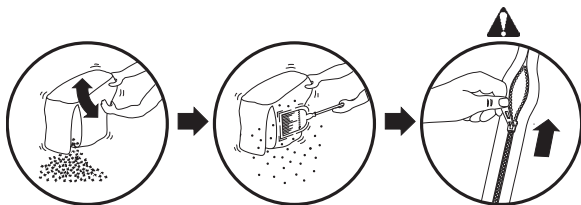
Label Do Not Fill While Engine Is Hot Item 63 Part No.400268



Label Ear Eye Breathing Item No. 86 Part No. 890254



Label Danger Chipper For Wood Only Item 48 Part No. 890152 (TKD MODELS ONLY)



Debris Bag Label item 1

15

### ENGINE LABELS

Briggs & Stratton



## OPERATION

**INTENDED USE:** This machine is designed for vacuuming leaves, grass clippings and other types of organic litter and for chipping brush, limbs, corn and sunflower stalks and palm fronds.

Debris mixed with cans, bottles and small amounts of sand can be vacuumed; however, it is not this machine's primary purpose. Vacuuming cans, bottles and sand will affect the longevity of your machine.

Do not operate if excessive vibration occurs. If excessive vibration occurs, shut engine off immediately and check for damaged or worn impeller, loose impeller bolt, loose impeller key, loose engine or lodged foreign objects. Note: See parts list for proper impeller bolt torque specifications. (See trouble shooting section on page 12).



Like all mechanical tools, reasonable care must be used when operating machine.

**Inspect machine work area and machine before operating. Make sure that all operators of this equipment are trained in general machine use and safety.**



**PUT OIL IN ENGINE BEFORE STARTING.**

16.1

### STARTING



**ENGINE:** See engine manufacturer's instructions for type and amount of oil and gasoline used.

Engine must be level when checking and filling oil and gasoline.

**ENGINE SPEED:** Controlled by throttle lever on the handle. Under normal conditions, operate at minimum throttle to accomplish your current cleaning task.

**FUEL VALVE:** Move fuel valve to "ON" position (when provided on engine).

**PRIMER:** Push primer per engine instructions ( B&S only).

**THROTTLE:** Move remote throttle control to fast position. Pull starting rope to start engine.

#### IF YOUR UNIT FAILS TO START:

See Troubleshooting on page 12.

16.2

### VACUUMING OPERATION

**VACUUM NOZZLE HEIGHT ADJUSTMENT:** is raised and lowered by pulling slightly upward on handle and pulling height adjust rod (item 23) up at left rear of machine.

**FOR MAXIMUM PICKUP:** Adjust nozzle close to debris, but without blocking airflow into the nozzle. *NOTE:* Never bury nozzle into debris.



#### CLEARING A CLOGGED NOZZLE



**& EXHAUST:** Turn engine off and wait for impeller to stop completely and disconnect spark plug wire.

Wearing durable gloves, remove clog. **Danger,** the clog may contain sharp materials. Reconnect spark plug wire.

16.3

### CHIPPING OPERATION (TKD ONLY)

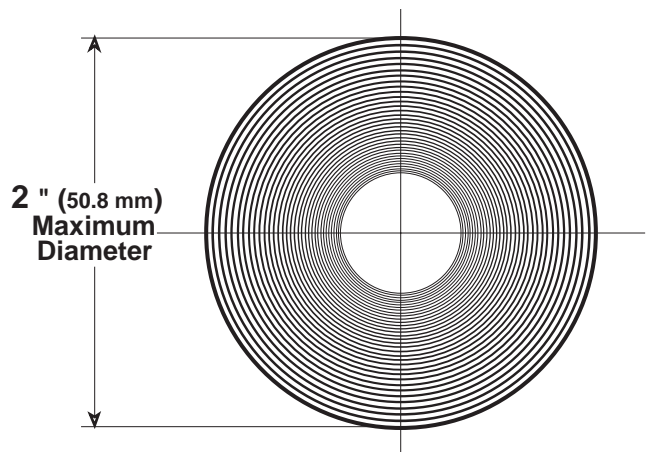


**Wearing Eye Protection and Durable Gloves is recommended while operating chipper.**



**Use caution when using chipper**

Your **TERMITE**® chipper is designed to process tree branches and limbs up to 2" (50.8mm) diameter.



Several small branches can be grouped together and fed together into the chipper (see fig 2.).

When feeding forked branches, squeeze forks together and feed into chipper entrance (DO NOT overload). If forks are too large, use a pair of loppers to trim forks down to size. A lopper storage bracket is provided on every unit (loppers are not included)

16.4

### CLEARING A CLOGGED CHIPPER HOPPER (TKD ONLY)



**Under normal circumstances, allow time for machine to clear all wood from chipper hopper before stopping engine. Otherwise, remaining pieces of wood will jam inside of chipper when engine stops. (See Tamper page 7).**

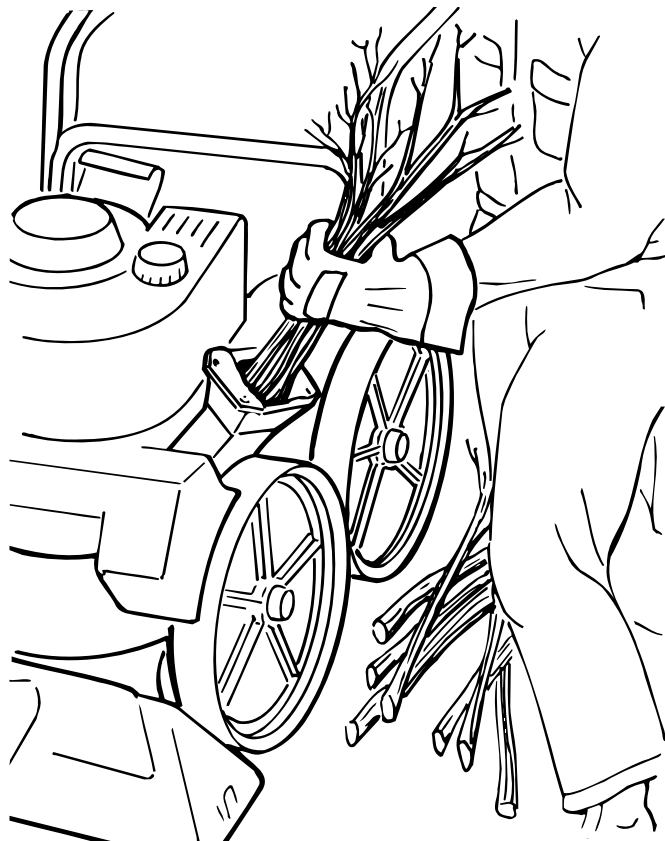
Disconnect spark plug wire.

Remove debris bag quick disconnect from debris outlet on machine. Wearing durable gloves, access impeller through debris outlet on fan housing and rotate impeller counter clock wise to dislodge and remove jam and remove debris from hopper with tongs or equivalent.



Reconnect debris bag quick disconnect to machine.

Reconnect spark plug wire.



(fig. 2) Note: Dry wood is harder to chip than green wood.

### 16.5 MULCH

Wood chips made from branches in your own yard make excellent mulch. A thick blanket of wood chips around plants and flowers keeps weeds out and moisture in.

### 16.6 COMPOST

Vacuumed leaves, grass and other organic material from your own yard can be emptied into a pile or composter to provide enriched soil for later use as fertilizer in gardens and flower beds.

Note: Allow green chips to dry before spreading around living plants.

### 16.7 DEBRIS BAG

**Debris bags are normal replaceable wear items.**

**⚠ Note:** Frequently empty debris to prevent bag overloading with more weight than you can lift.

An optional bag and dust cover is available for use where debris will be vacuumed in dusty conditions (see **Optional Accessories** shown on page 1).

**DO NOT place bag on or near hot surface**, such as engine. Run engine at 1/2 throttle for first 1/2 hour to condition new bag. Your new bag requires a break-in period to condition the pores of the material against premature blockage. The entire bag surface serves as a filter, and must be able to breathe to have good vacuum performance.

Be sure engine has come to a complete stop before removing or emptying bag.

**This vacuum is designed for picking up trash, organic material and other similar debris** (see Safety Warnings page 2-3). However, many vacuums are used where dust is mixed with trash. Your unit can intermittently vacuum in dusty areas. Dust is the greatest cause of lost vacuum performance. However, following these rules will help maintain your machine's ability to vacuum in dusty conditions:

- Run machine at idle to quarter throttle.
- The debris bag must be cleaned more frequently. A vacuum with a clean, pillow soft bag will have good pickup performance. One with a dirty, tight bag will have poor pickup performance. If dirty, empty debris and vigorously shake bag free of dust.
- Pressure-wash debris bag if normal cleaning does not fully clean bag. Bag should be thoroughly dry before use.

*Having one or more spare debris bags is a good way to reduce down time while dirty bags are being cleaned.*

- DO NOT** leave debris in bag while in storage.

### ENGINE

When servicing engine refer to specific manufacturers engine owner's manual. All engine warranty is covered by the specific engine manufacturer. If your engine requires warranty or other repair work contact your local servicing engine dealer. When contacting a dealer for service it is a good idea to have your engine model number available for reference(See table page 11). If you can not locate a servicing dealer in your area you can contact the manufacturers national service organization.

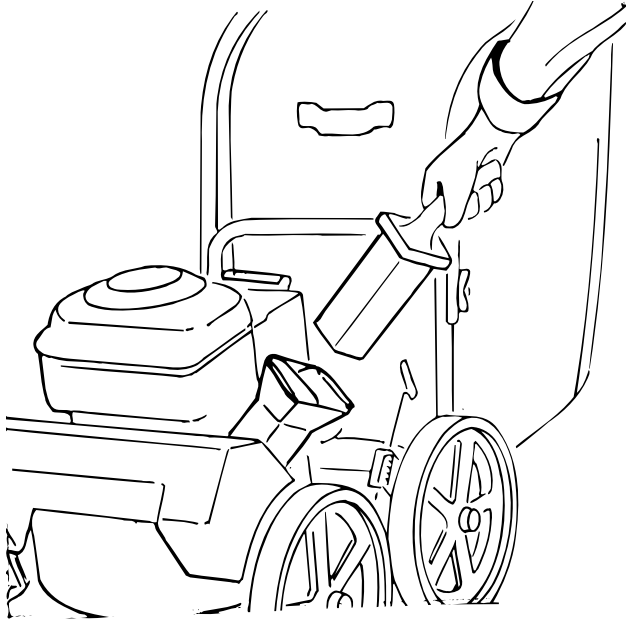
To reach:

**Briggs & Stratton: 800-233-3723 Fax: 414-259-5249**

16.8 TAMPER-TKD ONLY

Before turning machine off, use the Tamper to slowly push remaining pieces of wood through the chipper. This can prevent any remaining wood from jamming in the chipper when machine is turned off.

Do not leave tamper on the ground, store tamper in the chipper hopper.



Tamper Storage Position

16.4 HANDLING & TRANSPORTING:

Using two people to lift machine is recommended. Lift holding the handle and front of nozzle. Secure in place during transport.

16.11 STORAGE

⚠ Never store engine indoors or in enclosed poorly ventilated areas with fuel in tank, where fuel fumes may reach an open flame, spark or pilot light, as on a furnace, water heater, clothes dryer or other gas appliance.

**If engine is to be unused for 30 days or more, prepare as follows:**

⚠ Be sure engine is cool. Do not smoke. Remove all gasoline from carburetor and fuel tank to prevent gum deposits from forming on these parts and causing possible malfunction of engine. Drain fuel outdoors, into an approved container, away from open flame. Run engine until fuel tank is empty and engine runs out of gasoline.

**NOTE:** Fuel stabilizer (such as Sta-Bil) is an acceptable alternative in minimizing the formation of fuel gum deposits during storage. Add stabilizer to gasoline in fuel tank or storage container. Always follow mix ratio found on stabilizer container. Run engine at least 10 min. after adding stabilizer to allow it to reach the carburetor.

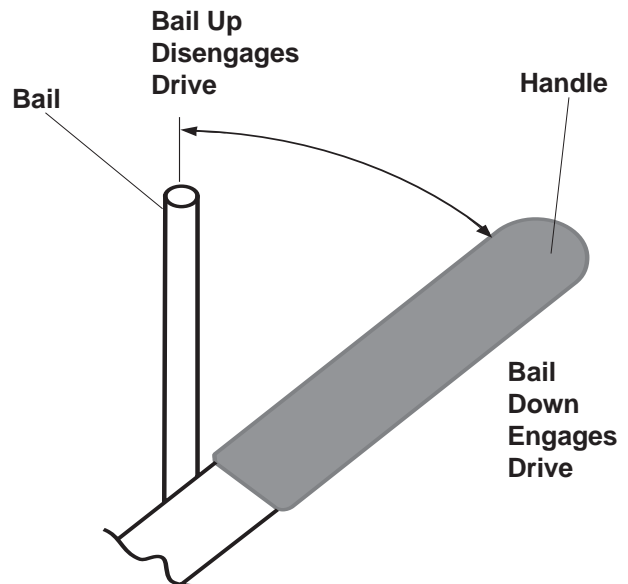
⚠ Do not store with debris in bag.

16.9 PROPULSION

This vacuum is self-propelled. To engage the drive, pull operator's bail against operator's handle. The drive is disengaged by releasing the operator's bail. (See figure at right)

**GROUND SPEED** can be varied by applying slight downward pressure to handle during operation (to allow drive wheels partial slippage) or by changing the engine rpm.

For improved control in confined areas, this machine can be freewheel pushed forward or backward by releasing the operator's bail and pushing machine.



# 17 MAINTENANCE



Use only a qualified mechanic for any adjustments, disassembly or any kind of repair .



**WARNING: TO AVOID PERSONAL INJURY, ALWAYS TURN MACHINE OFF, MAKE SURE ALL MOVING PARTS COME TO A COMPLETE STOP.**



**DISCONNECT SPARK PLUG WIRE BEFORE SERVICING UNIT.**



ENGINE: See engine manufacturer operator's instructions.

**DEBRIS BAG:** See page 6.



**RECONNECT SPARK PLUG WIRE, GUARDS, BAG, CAPS AND / OR HOSE BEFORE STARTING ENGINE.**

## CHIPPER BLADE REMOVAL AND SHARPENING-TKD ONLY

Chipper blades are normal replaceable wear items.



**DANGER** Chipper blade is sharp. Replace any damaged blade.

Depending on the type and amount of wood being chipped, the chipper blade will eventually get dull, losing its cutting ability. Evidence of a dull blade is a noticeably reduced chipping ability or a rough cut on end of branch.

**Note:** The chipper blade gap is factory set and should be checked each time impeller is removed from engine crankshaft and reset if required. If reassembly requires a different quantity of shim washers, Billy Goat® shim washer must be used.

10. Using a 3/16" Allen wrench and 1/2" open end wrench, remove chipper blade from impeller.

11. Sharpen blade by lightly grinding the cutting edge of the blade at **40 degrees** (see fig. 5). It is not necessary to remove all nicks from the cutting edge. **CAUTION:** Be careful to avoid heat buildup in the blade during sharpening. This will reduce its heat-treated hardness properties and will reduce blade life. Evidence of too much heat build-up is a change of color along sharpened edge.

12. The same chipper blade can be sharpened several times. However, blade replacement is required when blade no longer overhangs the chip relief hole in impeller back plate or if increased vibration occurs (see fig. 5).

13. Chipper blade installation is in reverse order of removal.

## 17.1 IMPELLER REMOVAL and CHIPPER ADJUSTMENT

### IMPELLER REMOVAL

1. Wait for engine to cool and disconnect spark plug.
2. Drain fuel and oil from the engine.
3. Remove bag, quick release, and upper handle. Do not kink, stretch, or break control cables, control housings, or end fittings while removing handles.
4. Remove housing top plate by removing bolts around outside of housing.
5. Leaving engine fastened to top plate, remove impeller bolt and lock washer and slide impeller off crankshaft ( A puller may be required).
6. Retain shim washers used at end of crankshaft for use at impeller reinstallation (see fig. 7). However, your unit may or may not have required the use of shim washers.
7. If impeller slides off freely, proceed to step 10. (**Do not drop impeller**).
8. If impeller does not slide off crankshaft, place two crowbars between impeller and housing on opposite sides. Pry impeller away from engine until it loosens. *Using a penetrating oil can help loosen a stuck impeller.*
9. If the impeller cannot be loosened, obtain a 1" (25.4mm) longer bolt of the same diameter and thread type as the impeller bolt. Invert engine and impeller and support engine above ground to prevent recoil damage. Thread longer bolt by hand into the crankshaft until bolt bottoms. Using a suitable gear or wheel puller against the bolt head and the impeller back-plate (near the blades), remove impeller from shaft.

**CORRECT**

**INCORRECT**

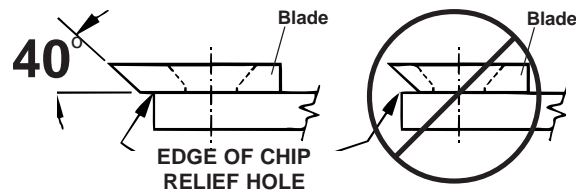


Fig. 5

14. To reinstall impeller, use a new impeller bolt and lockwasher and use exactly the same crankshaft impeller shim washers as were removed during disassembly (unless they were damaged). **Note:** your unit may or may not have required the use of shim washers.

15. Tighten impeller bolt. Torque impeller bolt to 50 Ft. Lbs. (68 N-m) (see item 51 on page 11).

16. Slowly rotate impeller to insure proper chipper blade clearance. Check to see that gap between chipper blade and anvil surface (on lower side of housing top plate) measures between 0.040"(1.02mm) and 0.080"(2.03mm).

17. If gap is less than 0.040"(0.51mm), add shim washer 890130 (0.060" {1.52mm} thick) and/or 890131 (0.020" {1.02mm} thick), whichever is required. If gap is more than 0.080"(2.03mm), remove one or more shim washers as needed to obtain correct gap (see fig. 6 & fig. 7). The chipper will function at up to a maximum of 0.125"(3.18mm) gap.



## 17.1 IMPELLER REMOVAL continued

18. If chipper blade properly clears anvil surface, proceed to next step. If not, add or subtract shim washers as needed to obtain a correct gap. (See step 17)
19. Reinstall engine and impeller onto housing in reverse order of removal.
20. Before connecting spark plug wire, slowly pull engine starting rope to insure that impeller rotates freely.
21. Reinstall spark plug wire.

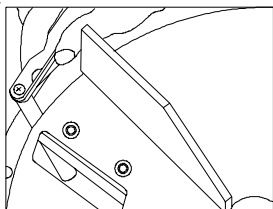


fig. 6

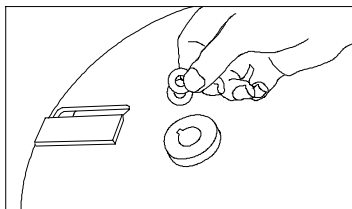


fig. 7

## 17.2

**Maintenance Schedule**

Follow these hourly maintenance intervals.

Maintenance Operation	Every Use	Every 5 hrs or (Daily)
Engine (See Engine Manual)		
Check for excessive vibration		●
Clean Debris Bag	●	
Check bag strap tightness	●	
Inspect for loose parts		●
Inspect for worn or damaged parts		●

## 17.3 DRIVE

**Chains are normal replaceable wear items. A new chain should not be used on worn sprockets. Sprockets should be replaced when replacing chains.**



**Stop engine and disconnect spark plug wire before making adjustments.**

**INSPECTING DRIVE**

1. Remove chain guard.
2. Inspect chains, sprockets, belt, and pulleys for wear and replace as required.
3. Inspect chains for lubrication and lubricate as required.
4. Check chain tension. A properly tensioned chain will deflect about 1/8" midway between the sprockets when light and pressure is applied. If adjustment is required see Replacing and adjusting chains.
5. Check clutch adjustment. When properly adjusted, operating the clutch at the handle will move the idler pulley down such that a gap of 5/8"-3/4" is left between the inside halves of the belt. Worn belt or pulleys can give the appearance of clutch mis-adjustment. Replace any worn components. If adjustment is required see Adjusting clutch cable.
6. Replace guard after inspection.

**CHAIN REPLACEMENT**

When replacing always replace both chains even if only one appears worn.

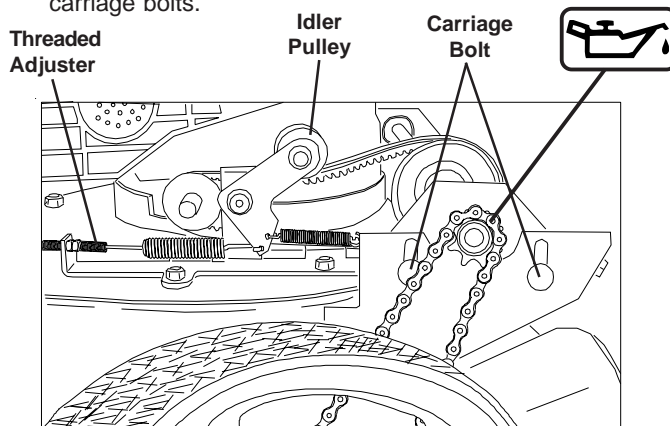
1. Remove chain guard
2. Loosen (4) carriage bolts that hold the jackshaft bearings in place.
3. Slide the jackshaft down and back toward the engine to loosen the chains.
4. Remove nuts that hold the front wheels.
5. Slip chains off the small sprockets on the jackshaft and slide the wheel and chain off each side.
6. Replace the chains on the wheels and reinstall them on the axles.
7. Slip chains over the small sprockets on the jackshaft.
8. Adjust chains for proper tension (see below)
9. Check clutch for proper operation and adjust if required.

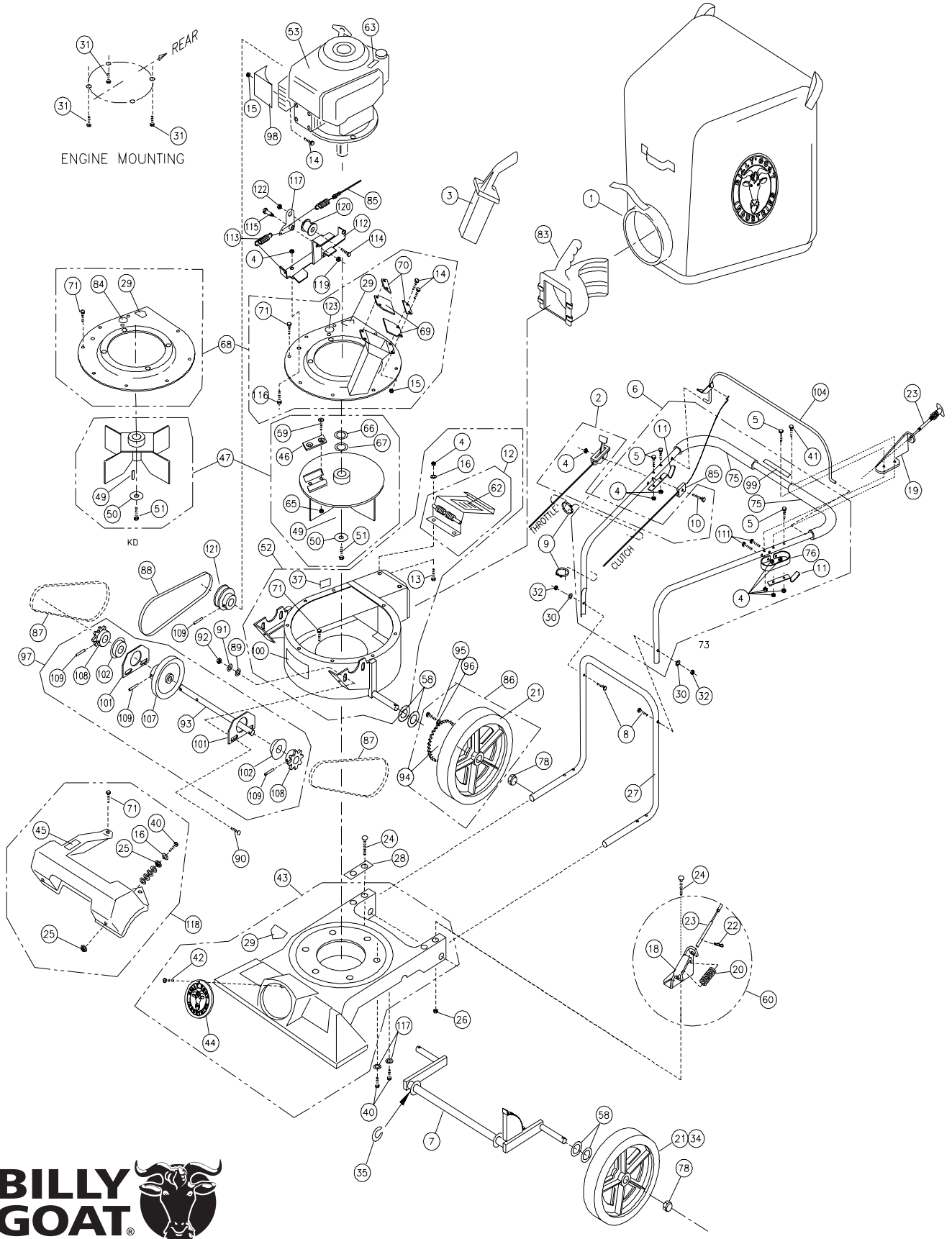
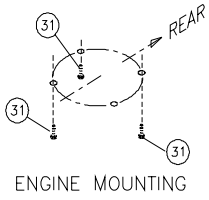
**CHAIN ADJUSTMENTS**

1. Loosen (4) carriage bolts that hold jackshaft bearing on place.
2. Pull up on jackshaft to draw chains tight
3. While holding chains tight rotate the jackshaft back toward the engine slightly so that there is no tension on the belt.  
NOTE: If the jackshaft is set too far forward the belt will not clutch or release properly during use.
4. With jackshaft properly positioned tighten (4) carriage bolts to lock it in place.
5. Rotate wheels by hand and check chain tension and alignment.
6. Readjust as required.
7. Replace guard.

**CLUTCH ADJUSTMENT**

1. Remove guard.
2. To increase belt tension (drive will not engage) loosen jam nuts that hold the threaded adjuster on the clutch cable.
3. Slide the adjuster toward the rear of the unit about 1/4" and retighten the jam nuts, to secure it in place.
4. Test clutch operation and readjust as required
5. To decrease belt tension (drive will not disengage or free wheel) loosen jam nuts that hold the threaded adjuster on the clutch cable.
6. Slide the adjuster toward the front of the machine about 1/4" and retighten the jam nuts to secure the cable in place.
7. Test clutch operation and readjust as required.
8. If unit will not free wheel with clutch disengaged loosen (4) carriage bolts and slide the jackshaft back 1/8" and retighten carriage bolts.





**18 PARTS DRAWING**

**KD512SP, TKD512SP**

PARTS  
LIST

ITEM NO.	Description	KD512SP Part No.	Qty.	IKD512SP Part No.	Qty.
1	Debris Bag Turf (service)	890023	1	890028	1
2	Throttle Assembly (INCL. 1 ea. 4,10)	900514-04	1	900514-04	1
3	Tamper	-	-	890229	1
4	Nut Lock (1/4 - 20)	*8160001	10	*8160001	12
5	Screw Cap (1/4 - 20 x 1- 1/2 HEX)	*8041008	4	*8041008	4
6	Handle Assy (incl. items 4(6), 5(4), 11(2), 75(2), 76 & 99)	900059	1	900057	1
7	Axle Rear - Frame W.A.	890389	1	890389	1
8	Screw Handle 5/16 - 18 x 1-3/4	*8041031	2	*8041031	2
9	Clamp Cable Plastic 1"	900407	2	900407	2
10	Screw Cap (1/4 - 20 x 2- 1/4)	*8041011	1	*8041011	1
11	Bar Support Bag	900039	2	900039	2
12	Door Exhaust Assy (incl. item 62)	890148	1	890148	1
13	Bolt - Carriage 1/4 x 3/4	8024021	2	8024021	2
14	Screw Cap #10 - 24 x 5/8	*8059135	1	*8059135	5
15	Nut Lock #10 NC			*8164005	4
16	Washer 1/4 FC ZP	*8171002	20	*8171002	20
17					
18	Bracket - Height Adjustment	890021	1	890021	1
19	Plate Upper height Adjustment	890005	1	890005	1
20	Spring	900136	1	900136	1
21	Tire - Only (per assy) Treaded	900659	1	900659	1
22	Pin - Hair Cotter	900471	1	900471	1
23	Cable Height Adjustment	890019	1	890019	1
24	Bolt - Carriage 5/16 - 18 x 4-1/2	*8024054	4	*8024054	4
25	Nut Lock Flange 1/4 - 20	900453	2	900453	2
26	Nut Lock 5/16 - 18 HEX	*8160002	2	*8160002	2
27	Handle Lower	890346	1	890346	1
28	Plate Handle Support	900933	1	900933	1
29	Label Danger Cut Finger	400424	6	400424	2
30	Washer Flat Cut 5/16	*8171003	6	*8171003	5
31	Screw Cap 3/8 - 16 x 2-1/2 Washer Face	900564	3	900564	3
32					
33					
34	Wheel Ass'y Cast (incl. items 21) treaded	900760	2	900760	2
35	Washer 0.75 "C"	900997	0-1	900997	0-1
36					
37	Label Ear Eye Breathing	890254	1	890254	1
38					
39					
40	Screw Cap 1/4 - 20 x 1-1/4	*8041007	6	*8041007	6
41	Screw Cap 1/4 - 20 x 1-3/4	*8041009	2	*8041009	2
42	Screw Self Tapping 10 - 24 x 1/2	*8123086	1	*8123086	1
43	Nozzle Frame (incl. one of items 29,44,42)	890391	1	890391	1
44	Plug	900146	1	900146	1
45	Label Oil Chain	830502	1	830502	1
46	Blade Chipper	-	-	890101	1
47	Impeller Ass'y (incl items 46, 49, 50, 51, 59, 65, 66, 67)	-	-	890208-S	1
	Impeller Ass'y (incl items 49, 50, 51)	900353	2	-	-
48	Label Chipper	-	-	890152	1
49	Key 3/16 Sq. x 1.25	900162	1	9201080	1
50	Washer Lock 3/8 Twisted Tooth	400502	1	400502	1
51	Screw Cap 3/8 - 24 x 2" (Torque 50 ft.lbs (68 Nm))	-	-	810962	1
	Screw Cap 3/8-24 x 1 1/2" (Torque 50 ft.lbs.(68 Nm))	900344	1	-	-
52	Housing Ass'y (incl. items 12, 14, 15, 16, 37, 100)	890419-S	1	890419-S	1
53	Engine 5.5 H.P. Briggs & Stratton	900784	1	900784	1
54					
55					
56					
57	Washer 1/2 flat KD Wheel	900230	2	900230	2
58	Washer Flat 1/2 SAE	*8172011	8	*8172011	8
59	Screw Socket HD. 5/16 - 18 x 3/4 GR. 8	-	-	890103	2
60	Height Adjustment Ass'y (incl 18, 20, 22, 23)	890013	1	890013	1
61					
62	Label Danger Flying Material	810736	1	810736	1
63	Label Hot Engine	400268	1	400268	1
64					
65	Nut Keps 5/16 - 18	-	-	890104	2
66	Washer Shim 0.060" (1.52mm)	-	-	890130	0-1
67	Washer Shim 0.020" (0.51mm)	-	-	890131	0-2
68	Plate Top Ass'y (incl. items 14, 15, 29, 69, 70, 71, 84)	-	-	890597	1
	Plate Top Ass'y (incl. items 29, 71, 84)	890590	1	-	1
69	Guard Flapper	-	-	890119	2
70	Plate Flapper Entrance	-	-	890127	2
71	Screw Cap 1/4-20 x 1/2 HWH	890359	15	890359	15
72					
73					
74	Nut Lock 5/16 - 18 Thin Ht.	*8161041	2	*8161041	2
75	Grip Handle	400570	2	400570	2
76	Bracket Lopper Loop			890167	1
77					
78	1/2-13 Cap nut np W/patch	890530	4	890530	4
79					
80					
81					
82					
83	Connector Quick	890176	1	890176	1
84	Label - Warning Guards	900327	1	900327	1
85	Cable Ass'y Clutch	890588	1	890588	1

\* Denotes standard hardware item that may be purchased locally.

**19**

**PARTS LIST**

(Continued from page 11)

Item No.	Description	KD512SP Part No.	Qty.	TKD512SP Part No.	Qty.
86	Wheel With Sprocket Ass'y Cast ( 21, 94, 95, 96)	890242	2	890242	2
87	Chain 52 Pitch	890239	2	890239	2
88	Belt 4L220	890586	1	890586	1
89	Nut Whiz 1/4-0 Wash Face	900455	2	900455	2
90	Bolt Carriage 5/16 - 18 x 3/4	*8024039	4	*8024039	4
91	Washer Spring Lock 5/16	*8177011	4	*8177011	4
92	Nut Regular 5/16 - 18	*8142002	4	*8142002	4
93	Jackshaft	900320	1	900320	1
94	Sprocket (per Assembly) (size # 65A26) 26 Teeth	890238	1	890238	1
95	Screw Self Tap 1/4-14 x 3/4 (Per Assembly)	900505	10	900505	10
96	Washer Lock External Tooth (Per Assembly)	*8181007	10	*8181007	10
97	Jackshaft Ass'y (incl. 93, 101, 102, 107, 108, 109)	890197	1	890197	1
98	Shield Muffler TKDSP	890190	1	890190	1
99	Label Clutch	830503	1	830503	1
100					
101	Bearing Plate	900317	2	900317	2
102	Bearing Ball (with Snap Ring)	900321	2	900321	2
103					
104	Rod Bail Clutch	900970	1	900970	1
105					
106	Screw 8122082	8122082	2	8122082	2
107	Pulley 3"OD x 5/8 Bore	890583	1	890583	1
108	Sprocket - 8 Tooth	900302	2	900302	2
109	Roll Pin 3/16 Dia. x 1 1/4 Lg.	*8195166	4	*8195166	4
110	Locknut 5/16 - 18 Flange	850164	5	850164	5
111	Screw Cap 1/4-20 x 1-1/2 Hex			8041008	2
112	Bracket Clutch KDSP	890580	1	890580	1
113	Spring Tension	400217	1	400217	1
114	Bolt Idler	800888	1	800888	1
115	Bolt Shoulder 3/8" x 1/2"	830528	1	830528	1
116	Screw Cap 1/4 - 20 x 3/4 Lg.	*8041004	1	*8041006	1
117	Arm Idler Wa KDSP	890582	1	890582	1
118	Guard Chain Ass'y TKDSP	890600	1	890602	1
119	Nut Lock 5/16-18 Thin	*8161041	1	*8161041	1
120	Pulley Idler 1.13"OD x 3/8" Bore	890585	1	890585	1
121	Pulley 1.63" OD X 1/2 Bore	890584	1	890584	1
122	Nut Lock 3/8-16 Thin	*8161042	1	*8161042	1
123	Label Read Owner's Manual	890301	1	890301	1


\* Denotes standard hardware item that may be purchased locally.

**20 TROUBLESHOOTING Before Requesting Service Review These Suggestions**


Problem	Possible Cause	Solution
Will not vacuum or has poor vacuum performance.	Dirty debris bag. Nozzle height set too high or too low. Hose kit cap missing. Clogged nozzle or exhaust. Excessive quantity of debris.	Clean debris bag. Shake bag clean or wash. Adjust nozzle height. Check for hose kit cap. Unclog nozzle or exhaust (see page 5). Allow air to feed with debris.
Poor chipping performance.	Extremely hard wood. Dull or damaged chipper blade.	Avoid extremely hard wood. Sharpen or replace chipper blade (see page 8).
Engine stalls or labors when chipping.	Feeding branches into chipper too rapidly. Engine service may be required.	Feed branches at a slower rate. Service engine.
Abnormal vibration.	Loose or out of balance impeller or loose engine.	Check impeller and replace if required. Check Engine.
Engine will not start.	Throttle in off position. Out of gasoline. Bad or old gasoline. Spark Plug wire disconnected. Dirty air cleaner.	Check stop switches, throttle, and gasoline. Connect spark plug wire. Clean or replace air cleaner. Or contact a qualified service person.
No self propelling.	Clutch cable out of adjustment. Worn or broken belt. Worn or broken clutch cable.	Adjust clutch cable. Replace belt. Replace clutch cable. Replace any worn or damaged or malfunctioning parts.
Self propelled drive will not release.	Clutch cable out of adjustment. Idler return spring disconnected or broken. Belt is rubbing on chain guard	Adjust clutch cable. Replace return spring. Remount chain guard
Engine is locked, will not pull over.	Debris locked in chipper blade, hopper or inside impeller. Engine problem.	See page 5, Clearing a clogged chipper hopper. Contact an engine servicing dealer for engine problems.

**22.1 Engine Service and Warranty Contact your nearest engine manufacturer's authorized servicing dealer.**

**21 Serial Plate Record your machine model, serial number and date-of-purchase and where purchased**



1803 S. Jefferson  
P.O. Box 308  
Lee's Summit,  
MO 64063 / USA  
Tel (816) 524-9666  
Fax (816) 524-6983



**112 dB**

Model  Serial No.

Unit(Weight)  lbs.  kg Engine Power  kW  rpm

Purchase Date \_\_\_\_\_ Purchased from \_\_\_\_\_

**22 WARRANTY PROCEDURE**

Please fill in the WARRANTY CARD and send the upper part to Billy Goat. The WARRANTY terms are stated on the lower part which remains with the user. Whenever a Billy Goat Machine is faulty due to a defect in material and / or workmanship, the owner should make a warranty claim as follows:

The Machine should be taken to the dealer from whom it was purchased or to an authorized Billy Goat dealer.

The owner should present the remaining half of the Warranty Registration Card, or, if this is not available, the invoice or receipt.

The Warranty Claim will be filled in by the authorized Billy Goat Dealer, who will send it with the faulty part to Billy Goat headquarters.

The Quality / Service department at Billy Goat headquarters will study the claim and parts and will notify their conclusions.

The decision by the Quality / Service department at Billy Goat headquarters to approve or reject a Warranty claim is final and binding.

*Note:* To process a Warranty Claim, it is necessary to quote the Model & Serial number that are printed on the Billy Goat Serial Plate.

**BILLY GOAT INDUSTRIES INC.**  
1803 S.W. Jefferson Street Lee's Summit, MO 64082 / USA  
PHONE: 816-524-9666 FAX: 816-524-6983 www.billygoat.com