

2

## OPTIONAL ACCESSORIES

**EXHAUST HOSE KIT P/N 400448.** 5" (127mm) x 10' (3.05m). For blowing debris out of hard-to-reach areas, around buildings and shrubbery.

**GUST ADJUSTER KIT P/N 400615.** Increases blowing distance and blowing control.

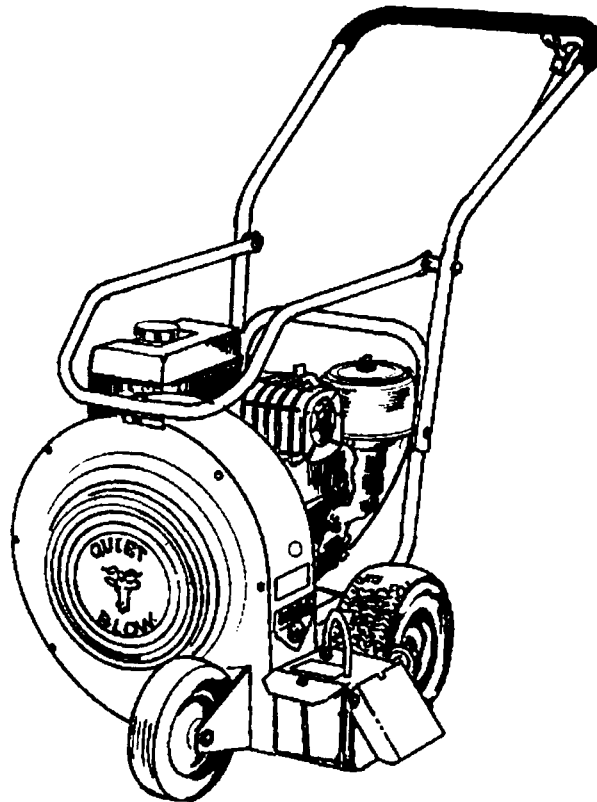
**CREVICE CLEANER KIT P/N 400620.** Cleans out cracks and crevices.

1

**BILLY  
GOAT.**  
INDUSTRIES, INC.



CE



*Thank You for Selecting*  
**The Powerful QUIET BLOW® BLOWER**

# Operator Owner's Manual

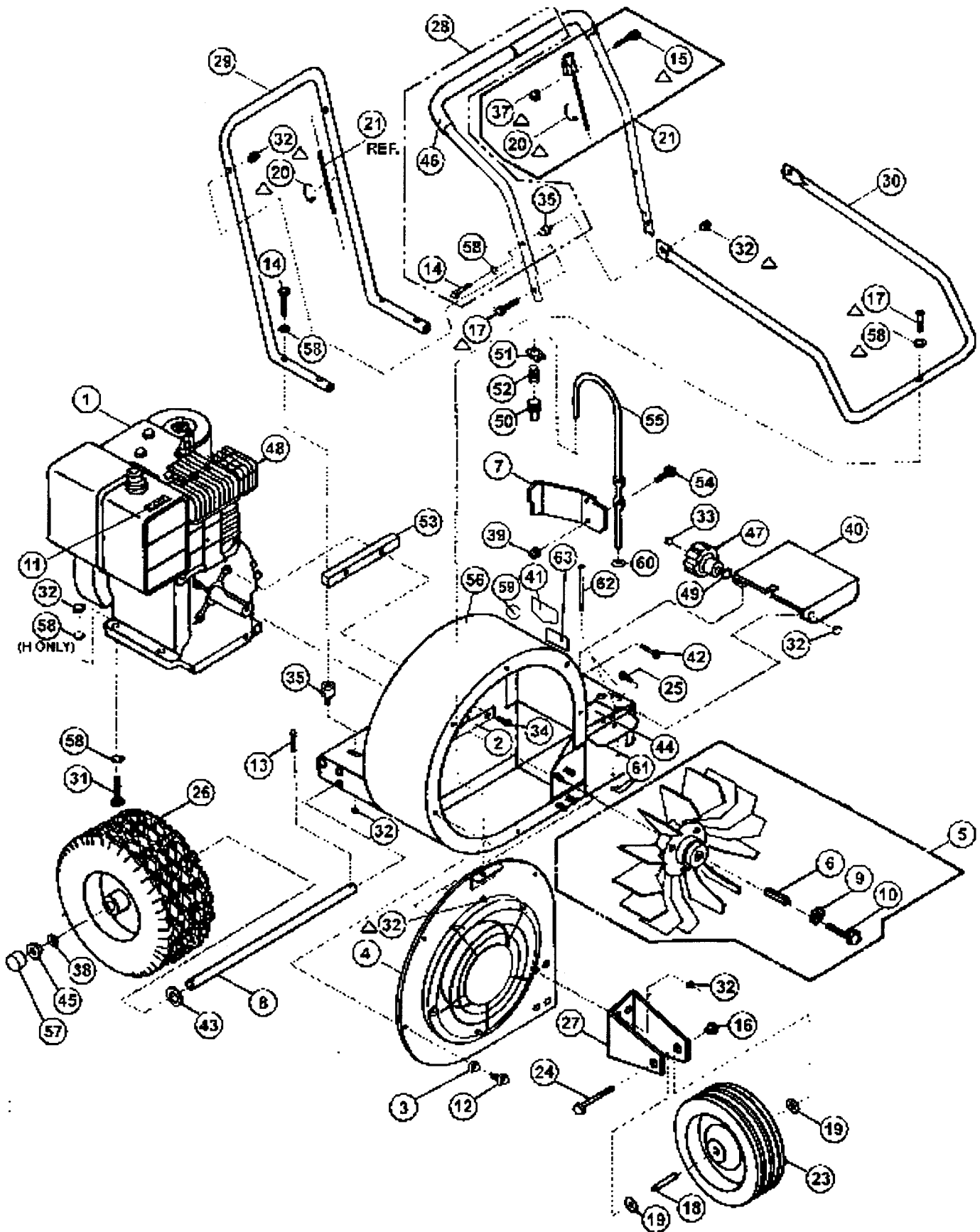
For Models:

**QB881, QB881IC, QB881H, QB1101IC, QB1101H**

3

## Specifications

	QB881	QB881IC	QB881H	QB1101IC	QB1101H
ENGINE: HP	8.0 HP (5.97 kW)	8.0 (5.97 kW)	8.0 (5.97 kW)	11.0 HP (8.2 kW)	11.0 HP (8.2 kW)
ENGINE: TYPE	B & S	B & S IC	HONDA OHV	B & S IC	HONDA OHV
ENGINE: FUEL CAP.	4.0 qt. (3.8 L)	4.0 qt (3.8 L)	6.4 qt. (6.1 L)	6.0 qt. (5.7 L)	7.4 qt. (7.0 L)
ENGINE: OIL CAP.	1.38 qt. (1.3 L)	1.38 qt. (1.3 L)	1.16 qt. (1.1 L)	1.5 qt. (1.4 L)	1.2 qt. (1.13L)
WEIGHT: UNIT	113 # (51.3 Kg)	115 # (52.2 Kg)	125 # (56.7 Kg)	139 # (63.1 Kg)	141 # (63.9 Kg)
WEIGHT: SHIPPING	130 # (58.97 Kg)	132 # (59.9 Kg)	142 # (64.4 Kg)	156 # (70.8 Kg)	158 # (71.7 Kg)
ENGINE WEIGHT:	46 # (20.8 Kg)	49 # (22.2 Kg)	48.5 # (22.0 Kg)	64.25 # (29.1 Kg)	68.4 # (31.0 Kg)
UNIT SIZE:	OVERALL LENGTH: 51.75" (1.31m) OVERALL WIDTH 28.5" (0.72m) OVERALL HEIGHT 39" (0.99m)				



**18 PARTS DRAWING**

**QB881, QB881IC, QB881H  
QB1101C, QB1101H**



Item No.	19 PARTS LIST	Description	QB881 / QB881IC		QB881H		QB1101C		QB1001H		
			Part No.	QTY	Part No.	QTY	Part No.	QTY	Part No.	QTY	
1	ENGINE - 11 HP HONDA	-	-	-	-	-	-	-	400931	1	
	ENGINE - 11 HP BRIGGS & STRATTON IC	-	-	-	-	400466	1	-	-	-	
	ENGINE - 8 HP HONDA	-	-	400937	1	-	-	-	-	-	
	ENGINE - 8 HP BRIGGS & STRATTON	800136/	1	-	-	-	-	-	-	-	
	ENGINE - 8 HP BRIGGS & STRATTON IC	/800880	1	-	-	-	-	-	-	-	
2	LOCK CLIP	400591	1	400591	1	400591	1	400591	1	400591	1
3	WASHER SPRING LOCK 1/4 MED.	*8177010	7	*8177010	7	*8177010	7	*8177010	7	*8177010	7
4	PLATE FRONT W.A. & GRILL	400599	1	400599	1	400599	1	400599	1	400599	1
5	IMPELLER ASS'Y	400965	1	400965	1	400965	1	400965	1	400965	1
6	KEY SQUARE 1/4 X 2 1/4	*9201123	1	*9201123	1	*9201123	1	*9201123	1	*9201123	1
7	DIVERTER PLATE	400334	1	400334	1	400334	1	400334	1	400334	1
8	AXLE	400571	1	400571	1	400571	1	400571	1	400571	1
9	WASHER LOCK 7/16 TWISTED TOOTH	850132	1	850132	1	850132	1	-	-	-	-
	WASHER LOCK 3/8 TWISTED TOOTH	-	-	-	-	-	-	-	400502	1	
10	SCREW CAP 7/16-20 x 1-1/4 HEX. HD GR. 5 (TORQUE 60 FT LBS)(81.4N-m)	800554	1	800554	1	800554	1	-	-	-	-
	SCREW CAP 3/8 -24 x 1-1/2 HEX. HD GR. 8 (TORQUE 50 FT LBS)(68N-m)	-	-	-	-	-	-	-	900344	-	
11	LABEL DO NOT FILL WHEN ENGINE IS HOT	400268	1	400268	1	400268	1	400268	1	400268	1
12	SHEET METAL SCREW 1/4 AB x 3/4 LG	*8122082	7	*8122082	7	*8122082	7	*8122082	7	*8122082	7
13	COTTER PIN , 1/8 x 1	*8197031	2	*8197031	2	*8197031	2	*8197031	2	*8197031	2
14	SCREW CAP 5/16-18 x 1 - 1/4	*8041029	6	*8041029	6	*8041029	6	*8041029	6	*8041029	6
15	SCREW CAP 1/4 -20 x 1-3/4	*8041009	1	*8041009	1	*8041009	1	*8041009	1	*8041009	1
16	NUT LOCK 3/8 -16	*8160003	1	*8160003	1	*8160003	1	*8160003	1	*8160003	1
17	SCREW CAP 5/16-18 x 1-1/2	*8041030	3	*8041030	3	*8041030	3	*8041030	3	*8041030	3
18	SPACER WHEEL	400302	1	400302	1	400302	1	400302	1	400302	1
19	WASHER 1/2 SAE	8172011	2	8172011	2	8172011	2	8172011	2	8172011	2
20	CLAMP CABLE PLASTIC 1"	900813	3	900813	3	900813	3	900813	3	900813	3
21	THROTTLE CONTROL ASS'Y (INCL. ITEMS 15, 37, 20)	400429	1	400429	1	400429	1	400429	1	400429	1
22											
23	WHEEL FRONT 8"	900816	1	900816	1	900816	1	900816	1	900816	1
24	SCREW CAP (FRONT AXLE) 3/8-16 x 3"	*8041058	1	*8041058	1	*8041058	1	*8041058	1	*8041058	1
25	SCREW CAP 5/16-18 x 3/4	*8041026	1	*8041026	1	*8041026	1	*8041026	1	*8041026	1
26	WHEEL, REAR	400295	2	400295	2	400295	2	400295	2	400295	2
27	BRACKET (FRONT WHEEL)	400303	1	400303	1	400303	1	400303	1	400303	1
28	HANDLE UPPER ASS'Y (incl. items 14(2), 35(2), 46, 58(2))	400957	1	400957	1	400957	1	400957	1	400957	1
29	HANDLE LOWER	400950	1	400950	1	400950	1	400950	1	400950	1
30	HANDLE- BRACE	400951	1	400951	1	400951	1	400951	1	400951	1
31	SCREW CAP 5/16 -18 x 1-3/4	*8041031	4	*8041031	4	*8041031	4	*8041031	4	*8041031	4
32	NUT LOCK , 5/16-18 HEX	*8160002	18	*8160002	18	*8160002	18	*8160002	18	*8160002	18
33	NUT LOCK 5/16-18 THIN HT	*8161041	1	*8161041	1	*8161041	1	*8161041	1	*8161041	1
34	SCREW CAP 5/16 -24 NF x 1-1/2	*8042030	2	*8042030	2	-	-	-	*8042030	2	
	SCREW CAP 5/16 -24 NF x 3/4	-	-	-	-	*8042026	2	-	-	-	
35	VIBRATION MOUNT	400173	6	400173	6	400173	6	400173	6	400173	6
36	LOOSE PARTS ASS'Y (INCL ITEMS 32(5), 58 (1), 15(1), 37(1), 20(3), 17(3))	400567	1	400567	1	400567	1	400567	1	400567	1
37	NUT LOCK 1/4 - 20 HEX	*8160001	1	*8160001	1	*8160001	1	*8160001	1	*8160001	1
38	WASHER (0.765 1.0 x 1.25 OD x 0.06)	850238	2	850238	2	850238	2	850238	2	850238	2
39	NUT LOCK 10-24	*8164005	2	*8164005	2	*8164005	2	*8164005	2	*8164005	2
40	DEFLECTOR	400333	1	400333	1	400333	1	400333	1	400333	1
41	LABEL DANGER HANDS & FEET	400424	1	400424	1	400424	1	400424	1	400424	1
42	BOLT CARRIAGE 5/16 -18 x 1-3/4	*8024043	1	*8024043	1	*8024043	1	*8024043	1	*8024043	1
43	WASHER - FLAT 3/4 S.A.E. (3/16 x 1-1/2 x 1/8 )	*8172015	2	*8172015	2	*8172015	2	*8172015	2	*8172015	2
44	LABEL DANGER FLYING MATERIAL	810736	1	810736	1	810736	1	810736	1	810736	1
45	WASHER 3/4 - HUB CAP	850237	2	850237	2	850237	2	850237	2	850237	2
46	GRIP	400570	2	400570	2	400570	2	400570	2	400570	2
47	KNOB	400339	1	400339	1	400339	1	400339	1	400339	1
48	GUARD MUFFLER (COMES W/ ITEM 1 )	400010	1	YES	-	YES	-	400933	1	400933	1
49	WASHER LOCK 5/16 EXT, TOOTH	*8181008	1	*8181008	1	*8181008	1	*8181008	1	*8181008	1
50	SPACER	400330	1	400330	1	400330	1	400330	1	400330	1
51	GRIP RING	400340	1	400340	1	400340	1	400340	1	400340	1
52	SPRING COMPRESSION	400332	1	400332	1	400332	1	400332	1	400332	1
53	SPACER	400370	1	400370	1	-	-	-	400370	1	
54	SCREW MACH. 10 -24 x 5/8 HEX W. F.	*8059135	2	*8059135	2	*8059135	2	*8059135	2	*8059135	2
55	ROD DIVERTER	400335	1	400335	1	400335	1	400335	1	400335	1
56	FRAME ASS'Y (INCLUDES 41, 44, 63 )	400576	1	400576	1	400576	1	400576	1	400576	1
57	HUB CAP	900486	2	900486	2	900486	2	900486	2	900486	2
58	WASHER FLAT CUT 5/16 ( 3/8 ID x 7/8 OD x1/16 )	*8171003	11	*8171003	15	*8171003	11	*8171003	11	*8171003	15
59	LABEL READ OWNER'S MANUAL	890301	1	890301	1	890301	1	890301	1	890301	1
60	WASHER -SAE 3/8 (13/32 x 13/16 x 3/32 )	*8172009	1	*8172009	1	*8172009	1	*8172009	1	*8172009	1
61	NUT LOCK WASHER FACE 1/4 - 20	900455	2	900455	2	900455	2	900455	2	900455	2
62	SCREW CAP 1/4 - 20 x 5 1/2 LG	*8041021	2	*8041021	2	*8041021	2	*8041021	2	*8041021	2
63	LABEL EAR EYE BREATHING	890254	1	890254	1	890254	1	890254	1	890254	1

△ Denotes parts found in parts bag assembly.

\* Notes standard hardware that may be purchased locally.