

2

REPLACEMENT PARTS**FLAIL BLADES****P/N 350186.**

A complete replacement set. 52 of our high quality flail blades for your PR. Includes 8 new lock clips for replacement installation.

FLAIL SHAFTS**P/N 350185.**

A full set of four shafts for replacement. Includes 8 new lock clips for replacement installation.

Note: We recommend replacing the shafts when you replace flails.

DRIVE BELT**P/N 350116.**

Original Equipment drive belt for your PR500.

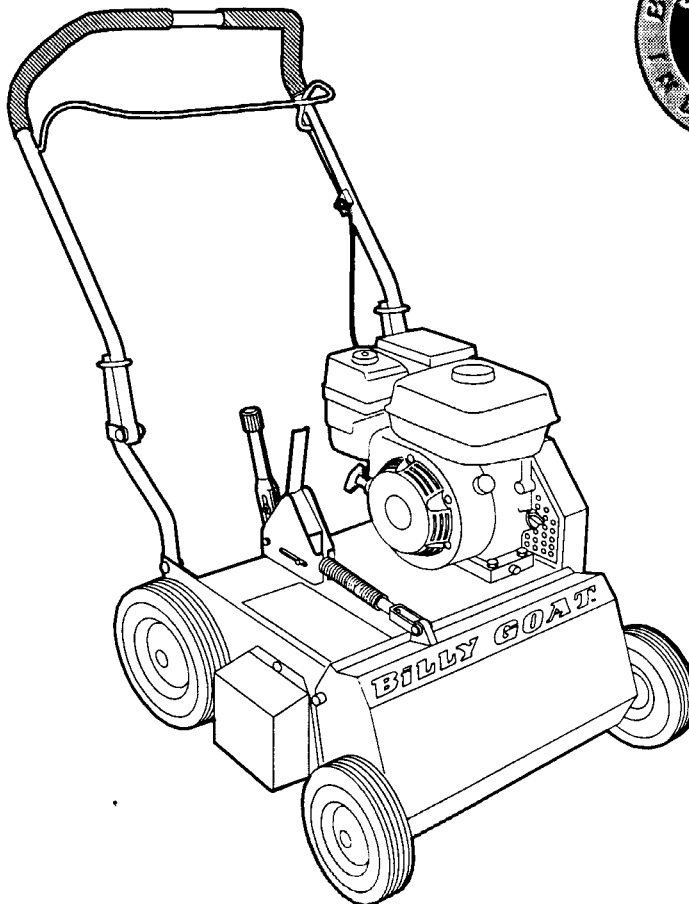
ACCESSORIES**SLICING REEL****P/N 350113.**

A complete verti-slicing reel for your PR500. 20" wide reel for use in grasses that require vertical cutting, and for assisting in lawn overseeding projects.

SLICING BLADES**P/N 350187.**

A full set of twenty blades for replacement. Includes 40 new capscrews, and lock nuts for replacement installation.

1



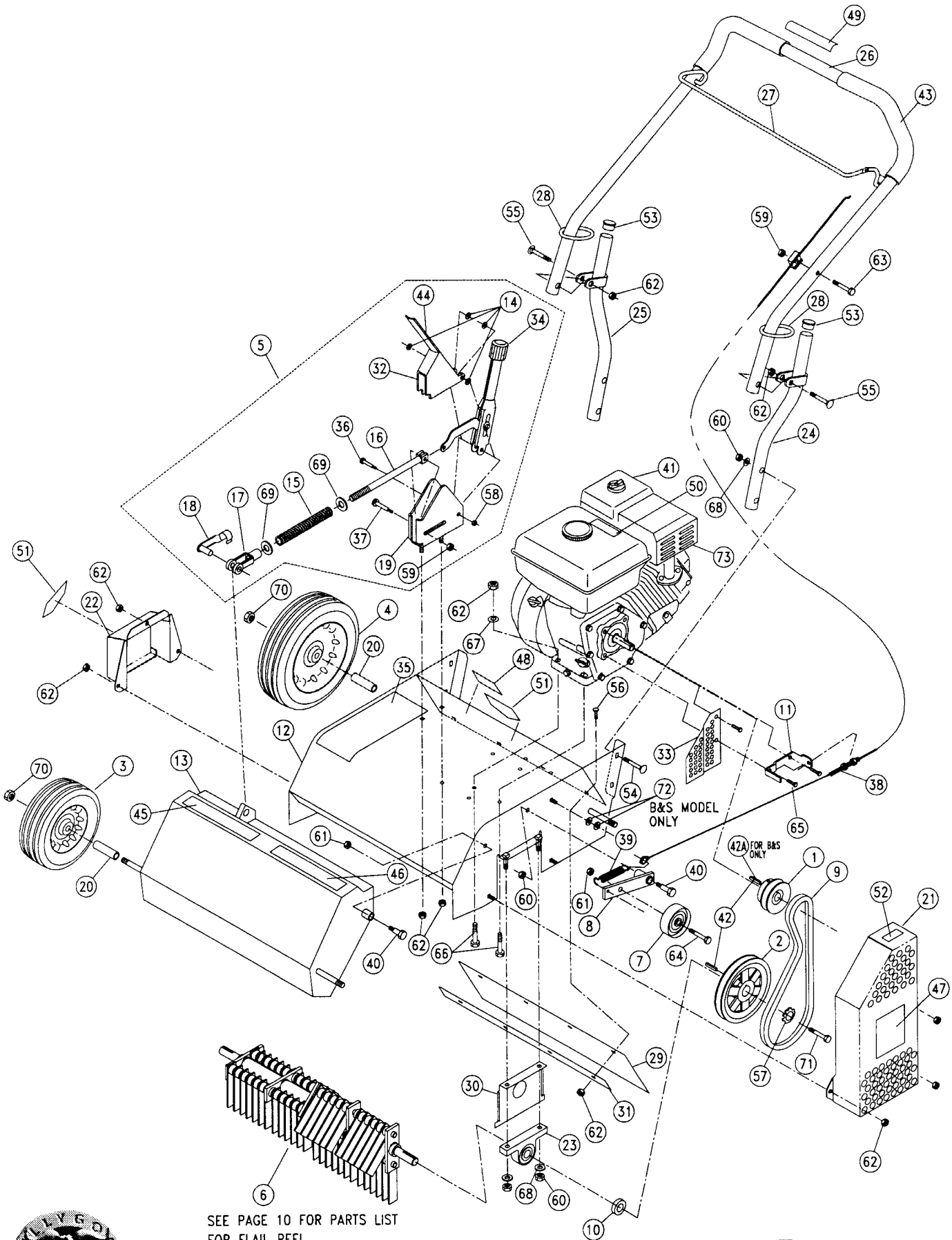
*Thank You for Selecting
The Powerful PR500
POWER RAKE*

Operator Owner's Manual**PR500, PR500H**

3

Specifications

	PR500	PR500H
ENGINE: H.P.	5.0 (3.73 kW)	5.5 (4.1 kW)
ENGINE: TYPE	B&S	HONDA OHV
ENGINE: FUEL CAP.	3.0 qt. (2.84 L)	3.88 qt. (3.41 L)
ENGINE: OIL CAP.	0.66 qt. (0.62 L)	0.69 qt. (0.65 L)
WEIGHT: UNIT	154# (70.0 kg)	158# (71.8 kg)
WEIGHT: SHIPPING	171# (77.7 kg)	175# (79.5 kg)
ENGINE WEIGHT:	30# (13.6 kg)	34# (15.4 kg)
MAX. ENGINE OPERATING SLOPE	15°	20°



SEE PAGE 10 FOR PARTS LIST
FOR FLAIL REEL

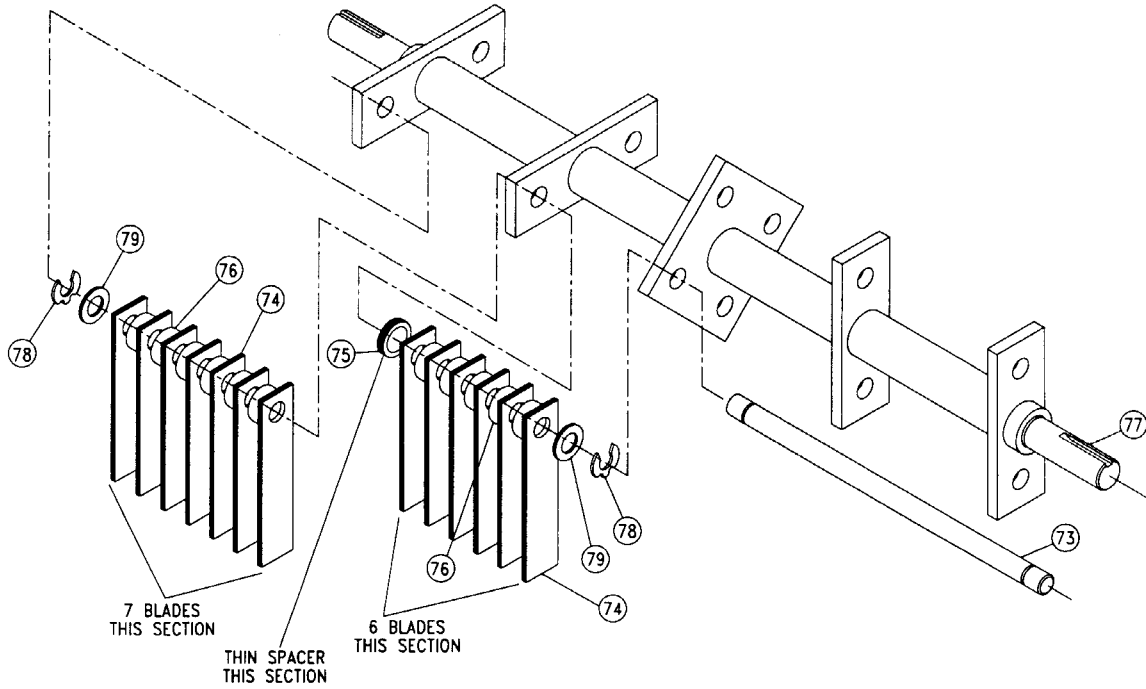


18 PARTS DRAWING

PR500, PR500H

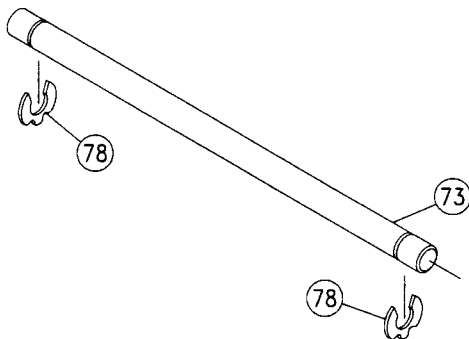
Item no.	PARTS LIST	PR500 Part No.	QTY	PR500H Part No.	QTY
1	Pulley 3" OD	350101-01	1	350101	1
2	Pulley 6.5" OD X 3/4"	350102	1	350102	1
3	Wheel 8" PR	350103	2	350103	2
4	Wheel 10" PR	350104	2	350104	2
5	Height Adjust Assy (incl. items 14, 15, 16, 17, 18, 19, 34, 36, 37, 44, 58, 59, 69)	350107	1	350107	1
6	Reel Flail Assy (see page 10 for parts list and detailed dwg.)	350112	1	350112	1
7	Pulley Idler 2.75"	350114	1	350114	1
8	Arm Idler WA	350115	1	350115	1
9	Belt 5L X 36.5"	350116	1	350116	1
10	Spacer Reel Pulley	350118	1	350118	1
11	Bracket Mount Clutch Cable	350119	1	350119	1
12	Chassis WA	350120	1	350120	1
13	Frame Front WA	350121	1	350121	1
14	Spacer Shoulder Nylon	350124	2	350124	2
15	Spring Height Adjust PR500	350125	1	350125	1
16	Link Height Adjust PR500	350126	1	350126	1
17	Yoke 1/2 - 20	350127	1	350127	1
18	Pin Yoke 1/2"	350128	1	350128	1
19	Bracket Mount Hgt. Adj. WA	350182	1	350182	1
20	Spacer Spanner Wheel PR500	350130	4	350130	4
21	Guard Belt WA	350131	1	350131	1
22	Guard Shaft WA	350132	1	350132	1
23	Bearing 3/4" Cast Pillow Block	350133	2	350133	2
24	Handle Lower LH WA	350134	1	350134	1
25	Handle Lower RH WA	350135	1	350135	1
26	Handle Upper PR500	350136	1	350136	1
27	Bail Clutch WA	350137	1	350137	1
28	Loop Folding Handle	350138	2	350138	2
29	Deflector Rubber	350167	1	350167	1
30	Shield Bearing	350168	2	350168	2
31	Bar Clamp Deflector	350171	1	350171	1
32	Bracket Height Adjust Lock WA	350173	1	350173	1
33	Guard Pulley Back	350184	1	350174	1
34	Lever Height Control	350175	1	350175	1
35	Label Instr. Hgt. Adj.	350176	1	350176	1
36	Bolt Shoulder 1/4" x 1 3/4"	350178	1	350178	1
37	Bolt Shoulder 5/16" x 1 1/4"	350179	1	350179	1
38	Cable Clutch Reel PR500	350181	1	350181	1
39	Spring Extension	400217	1	400217	1
40	Bolt Shoulder 1/2" X 1"	500114	3	500114	3
41	ENGINE HONDA 5.5 H.P. GXV160	-	-	600115	1
	ENGINE B & S 5.0 H.P.	430249	1	-	-
42	KEY 3/16" x 1"	9201078	1	9201078	2
42A	KEY 1/4" x 1"	9201113	1	-	-
43	GRIP 1" x 13"	400570	2	400570	2
44	GRIP LEVER 1/8 x 1 x 5"	500181	1	500181	1
45	LABEL BILLY	850208	1	850208	1
46	LABEL GOAT	850210	1	850210	1
47	LABEL GOAT HEAD	850209	1	850209	1
48	LABEL DANGER THROWN OBJECT	810736	1	810736	1
49	LABEL CLUTCH VQ	830503	1	830503	1
50	LABEL HOT ENGINE	400268	1	400268	1
51	LABEL WARNING	400424	2	400424	2
52	LABEL DANGER GUARD	900327	1	900327	1
53	PLUG CAP 1" RD	890132	2	890132	2
54	BOLT CARRAIGE 3/8-16 x 1 3/4	8024061	4	8024061	4
55	BOLT CARRAIGE 5/16-18 x 1 3/4	8024043	2	8024043	2
56	BOLT CARRIAGE 5/16 - 18 x 3/4	8024039	4	8024039	4
57	LOCK WASHER 3/8 TWISTED TOOTH	400502	1	400502	1
58	NUT LOCK #10-24	8164005	1	8164005	1
59	NUT LOCK 1/4-20	8160001	2	8160001	2
60	NUT LOCK 3/8-16	8160003	9	8160003	9
61	NUT LOCK 3/8-16 THIN	8161042	3	8161042	3
62	NUT LOCK 5/16-18	8160002	18	8160002	18
63	SCREWCAP 1/4-20 x 1 1/2	8041008	1	8041008	1
64	SCREWCAP 3/8 - 16 x 1 1/4	8041051	1	8041051	1
65	SCREWCAP 5/16-24 x 1" GR.5	8042026	3	8042026	3
66	SCREWCAP 5/16 - 18 x 1 1/2	8041030	4	8041030	4
67	WASHER 5/16 FLAT CUT	8171003	4	8171003	4
68	WASHER 3/8 FLAT CUT	8171004	8	8171004	8
69	WASHER 1/2 FLAT CUT	8171006	2	8171006	2
70	NUT LOCK 1/2 - 13	8160005	4	8160005	4
71	SCREWCAP 3/8-16 X 1"	8041050	1	8041050	1
72	WASHER 5/16 FLAT CUT (TOP OF BELT GUARD)	8171003	2	-	-
73	MUFFLER GUARD	400990	1	-	-

FLAIL REEL ASSY 350112



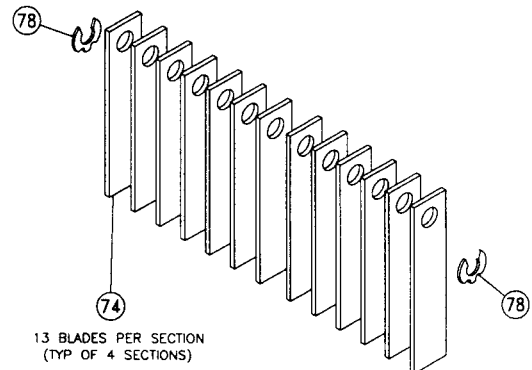
Item no.	PARTS LIST	PR500 Part No.	QTY
73	SHAFT FLAIL BLADE	350141	4
74	BLADE FLAIL	350100	52
75	SPACER BUMPER 5/8" x 1/4"	350143	4
76	SPACER BUMPER 5/8" x 1/2"	350144	44
77	SHAFT WA FLAIL REEL	350145	1
78	CLIP LOCK 1/2"	350146	8
79	WASHER 1/2 SAE	8172011	8

FLAIL SHAFT KIT 350185



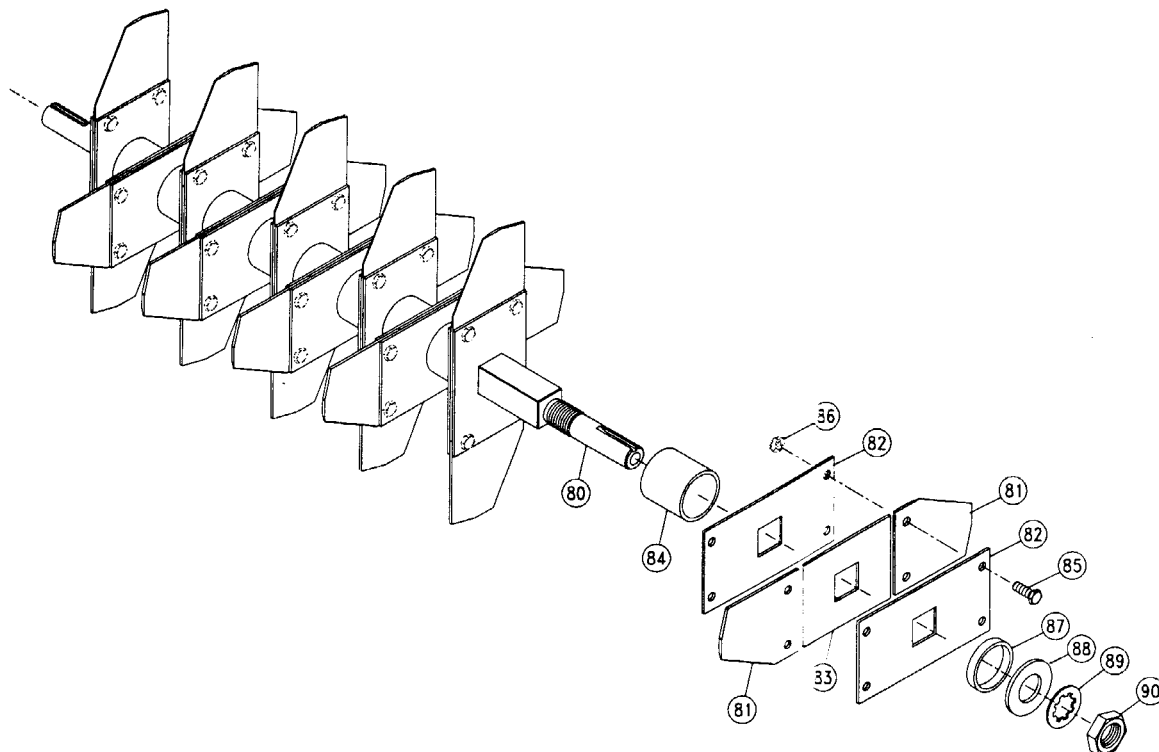
Item no.	PARTS LIST	Part No.	QTY
73	SHAFT FLAIL BLADE	350141	4
78	CLIP LOCK 1/2"	350146	8

FLAIL BLADE KIT 350186



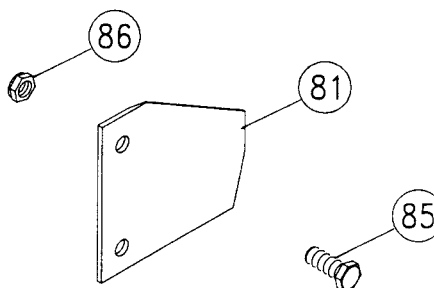
Item no.	PARTS LIST	Part No.	QTY
74	BLADE FLAIL	350100	52
78	CLIP LOCK 1/2"	350146	8

SLICING REEL ASSY 350113



Item no.	PARTS LIST	PR500 Part No.	QTY
80	SHAFT SLICING WA	350142	1
81	BLADE SLICING REEL	350147	20
82	PLATE BLADE MTG.	350148	20
83	SPACER BLADE MTG.	350149	10
84	SPACER BLADE ASSY	350150	9
85	SCREW CAP 1/4-20 x 3/4, GR. 5	350151	40
86	NUT LOCK 1/4-20	8160001	40
87	COLLAR SPACER	350152	1
88	WASHER 0.937 x 1.750 x 0.119	350153	1
89	WASHER LOCK 7/8 INT. TOOTH	350154	1
90	NUT JAM 7/8-14	350155	1

SLICING BLADE KIT 350187



Item no.	PARTS LIST	PR500 Part No.	QTY
81	BLADE SLICING REEL	350147	20
85	SCREW CAP 1/4-20 x 3/4, GR. 5	350151	40
86	NUT LOCK 1/4-20	8160001	40