

BILLY GOAT

INDUSTRIES, INC.

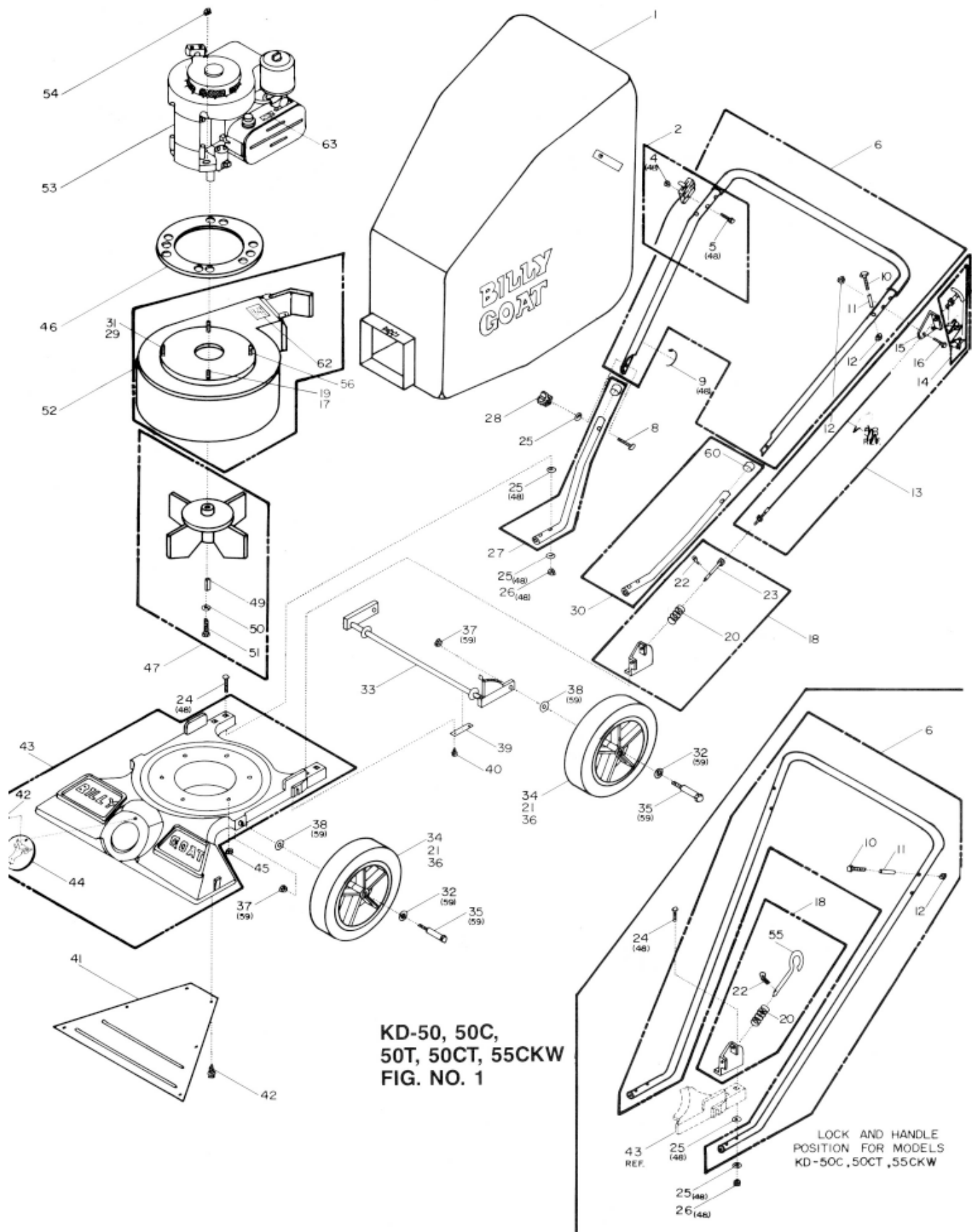


vacuum cleaner

Models No. KD-50. KD-50C
KD-50T, KD-50CT, KD-55CKW



OWNER'S MANUAL



item no.	PARTS LIST	KD55CKW Part No.	QTY	KD50C Part No.	QTY	KD50 Part No.	QTY	KD50CT Part No.	QTY	KD50T Part No.	QTY
1	BAG FELT (RENTAL 900751)	900650	1	900650	1	900650	1	900650	1	900650	1
2	THROTTLE ASSEMBLY (INC. (2) OF 4, 5, 11)	900343-01	1	900604	1	900343	1	900514-02	1	900343	1
3											
4	LOCKNUT	-	-	-	-	8164005	2	8160001	1	8164005	2
5	SCREW	-	-	-	-	8059142	2	8041008	1	8059142	2
6	HANDLE ASSY (INC. (2) OF 10,11,12)	900007	1	900007	1	900549	1	900007	1	900549	1
7											
8	SCREWCAP 5/16-18 x 2 1/4	-	-	-	-	900547	2	-	-	900547	2
9	TY WRAP	-	-	-	-	900407	2	900407	2	900407	2
10	SCREW MACH #10-24 x 2"	8059143	2	8059143	2	8059143	2	8059143	2	8059143	2
11	RUBBER GROMMET	900141	2	900141	2	900141	2	900141	2	900141	2
12	NUT LOCK #10-24	8164005	2	8164005	2	8164005	2	8164005	2	8164005	2
13	CABLE CONTROL ASSY	-	-	-	-	900155	1	-	-	900155	1
14	CONTROL CABLE ASSY	-	-	-	-	900145	1	-	-	900145	1
15	BRACKET HT. ADJ.	-	-	-	-	900144	1	-	-	900144	1
16	SCREW MACH #10-24 x 1 1/4	-	-	-	-	8059140	2	-	-	8059140	2
17	WASHER LOCK EXT 5/16	8181008	3	-	-	-	-	-	-	-	-
18	LOCK ASSY	900164	1	900164	1	900142	1	900164	1	900142	1
19	SCREW CAP 8 MMx 35MM	900242	3	-	-	-	-	-	-	-	-
20	SPRING	900136	1	900136	1	900136	1	900136	1	900136	1
21	TIRE ONLY	900507	1	900507	1	900507	1	900507	1	900507	1
22	FIN HAIR COTTER	900471	1	900471	1	900471	1	900471	1	900471	1
23	PLUNGER ASSY	-	-	-	-	900138	1	-	-	900138	1
24	BOLT CARRAIGE 5/16-18 x 1 3/4	8024043	4	8024043	4	8024043	4	8024043	4	8024043	4
25	WASHER 5/16 SAE	8172008	8	8172008	8	8172008	10	8172008	8	8172008	10
26	NUT LOCK 5/16-18	8160002	4	8160002	4	8160002	4	8160002	4	8160002	4
27	HANDLE STUB RH ASSY	-	-	-	-	900584	1	-	-	900584	1
28	HAND KNOB	-	-	-	-	900456	2	-	-	900456	2
29	WASHER LOCK 5/16	-	-	-	-	-	-	8177011	1	8177011	1
30	HANDLE STUB LH ASSY	-	-	-	-	900585	1	-	-	900585	1
31	SCREWCAP 5/16-18 x 3/4	-	-	-	-	-	-	8041026	1	8041026	1
32	WASHER KD WHEEL	900230	4	900230	4	900230	4	900230	4	900230	4
33	REAR AXLE FRAME WA	900115	1	900115	1	900115	1	900115	1	900115	1
34	WHEEL ASSY CAST	900509	4	900509	4	900509	4	900509	4	900509	4
35	SHOULDER BOLT	800508	4	800508	4	800508	4	800508	4	800508	4
36	BEARING ONLY	900498	2	900498	2	900498	2	900498	2	900498	2
37	NUT LOCK 3/8-16	8160003	4	8160003	2	8160003	4	8160003	2	8160003	4
38	WASHER	8172018	4	8172018	4	8172018	4	8172018	4	8172018	4
39	HOLD DOWN PLATE	900123	2	900123	2	900123	2	900123	2	900123	2
40	SHEET METAL SCREW 1/4 x 3/4	8122082	4	8122082	4	8122082	4	8122082	4	8122082	4
41	BOTTOM COVER	900121	1	900121	1	900121	1	900121	1	900121	1
42	SCREW SELF TAPPING	8123086	7	8123086	7	8123086	7	8123086	7	8123086	7
43	MAIN FRAME ASSY	900579	1	900579	1	900579	1	900579	1	900579	1
44	PLUG	900146	1	900146	1	900146	1	900146	1	900146	1
45	NUT LOCK 5/16-18	8161041	6	8161041	6	8161041	6	8161041	6	8161041	6
46	GASKET	-	-	800411	1	800411	1	800411	1	800411	1
47	IMPELLER ASSY (INC. 49,50,51)	900255	1	800988	1	800988	1	800097	1	800097	1
48	KD PARTS BAG HANDLE ASSY	900475	1	900475	1	-	-	900475T	1	-	-
49	KEY	9201121	1	9201121	1	9201121	1	9201121	1	9201121	1
50	WASHER LOCK 3/8 TWIST TOOTH	400502	1	400502	1	400502	1	400502	1	400502	1
51	CAPSCREW (HARDENED)	900243	1	900243	1	900243	1	900243	1	900243	1
52	HOUSING ASSY	900257	1	900257	1	900257	1	900257	1	900257	1
53	ENGINE	900244	1	900166	1	900166	1	900166T	1	900166T	1
54	NUT LOCK 5/16-18	8160002	3	8160002	4	8160002	4	8160002	4	8160002	4
55	PLUNGER	900165	1	900165	1	-	-	900165	1	-	-
56	SCREWCAP 5/16-18 x 1 1/4	8041029	3	8041029	4	8041029	4	8041029	4	8041029	4
57	HANDLE AND CABLE	-	-	-	-	900145-01	1	-	-	900145-01	1
58	SLEEVE AND HARDWARE	-	-	-	-	900145-02	1	-	-	900145-02	1
59	KD PARTS BAG WHEEL ASSY	900476	1	900476	1	900476	1	900476	1	900476	1
60	CAP END 1"	-	-	-	-	800392	2	-	-	800392	2
61											
62	LABEL CAUTION HANDS AND FEET	900326	1	900326	1	900326	1	900326	1	900326	1
63	LABEL CAUTION HOT ENGINE	400268	1	400268	1	400268	1	400268	1	400268	1

SAFETY PRECAUTIONS

Like all mechanical tools, reasonable care must be used when operating the machine. Read all instructions!

1. Disconnect spark plug wire before servicing
2. Do not put gas in tank when hot or in an enclosed area.
3. Do not start engine or operate with bag or guards removed.
4. Keeps hands and feet clear of ALL inlet and discharge openings.
5. Do not operate with hose cap, bag, or hose removed.
6. Do not operate during excessive vibration!
7. Follow engine manufacturer operating and maintenance instructions.
8. Inspect machine and work area before starting unit.
9. Installation of debris bag- Make sure strap is tight and well secured.
10. Be sure zipper is closed before starting engine.

DUST IS THE GREATEST CAUSE OF LOST VACUUM! SHAKE BAG WELL AFTER EACH EMPTYING. RUN ENGINE AT HALF THROTTLE FOR FIRST HALF HOUR TO CONDITION NEW

MAINTENANCE

1. ENGINE: See engine manufacturer instructions.
2. Inspect machine before starting unit.
3. Maximum vacuum: Maintain by emptying bag before it fills completely. Dust will block pores of bag and reduce vacuum. Stop motion and shake bag down without removing or stop machine and remove bag to shake free of dust. You may wash felt bags.

REPLACE SPARK PLUG WIRE, GUARDS, BAG, CAPS AND/OR HOSE BEFORE STARTING ENGINE.

ASSEMBLY

Your Billy Goat is shipped from the factory in one carton, completely assembled except for the debris bag, and wheels. On models KD50C and KD55CKW the handle must be assembled.

1. **READ** operator's instructions. Assemble wheels and handle securely in place. *Do not over tighten.*
2. **UNFOLD** the debris bag 1 and place mouth of bag over debris deflector and onto discharge outlet. Close zipper before starting engine.
3. **TIGHTEN STRAP SECURELY** to hold bag on discharge outlet.
4. **ATTACH** upper bag hanger straps by sliding grommet over rubber stud and on upper handle after handle is locked in place.

PUT OIL IN ENGINE BEFORE OPERATION!

OPERATION

ENGINE: Must have gasoline and oil. See engine manufacturer operating instructions for type and amount. Engine must be level when checking and filling oil and gasoline. Never operate without aircleaner.

SPEED: Controlled by throttle lever on right side of handle, on model KD50C the throttle lever is on the engine with the stop switch. Under normal conditions operate at minimum throttle to accomplish your current cleaning task.

BAG: Do not place on or near hot surface.

VACUUM NOZZLE HEIGHT: This is raised and lowered by lifting slightly up on handle and pulling top left control. On models KD50C and KD55CKW pull lever 55.

